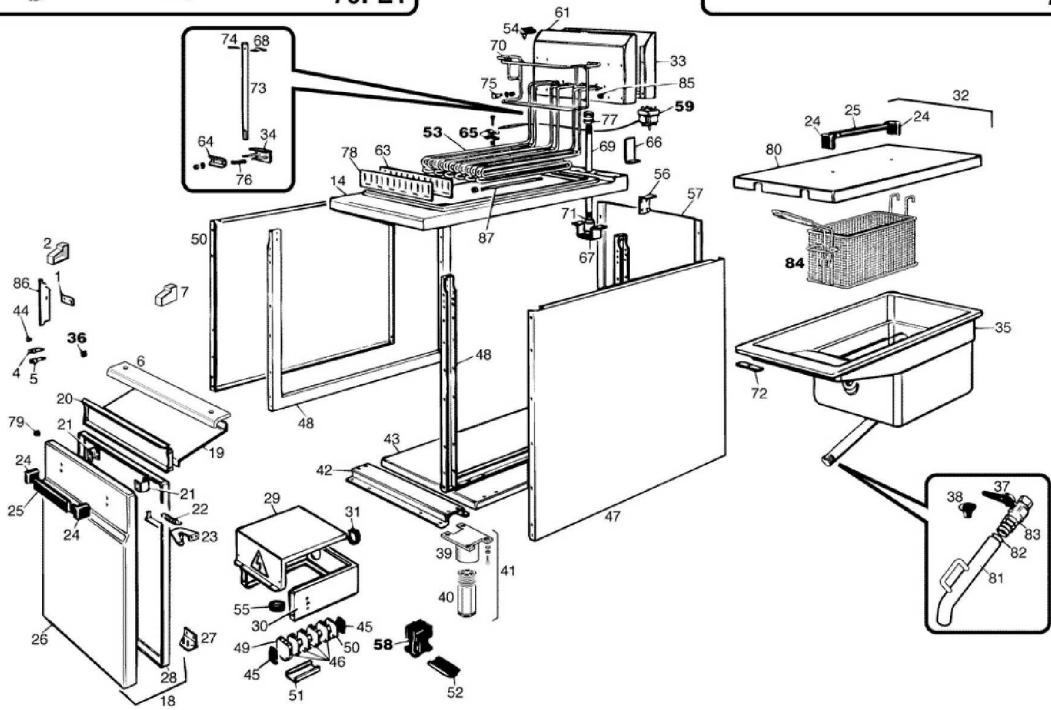
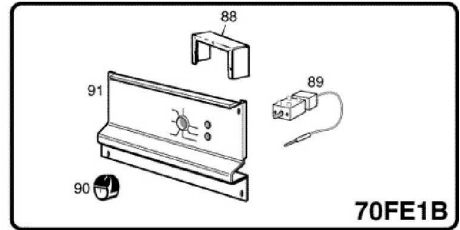
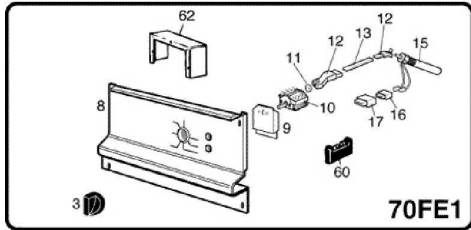




70FE1

Edition 20120726-



Pos	Code	Description	Info
001	35T9650	FLAT BRACKET	01/09/1996-
002	36D3430	LH END SIDE	01/09/1996-
003	36M2400	ELECTRIC CONTROL KNOB	01/09/1996-
004	3106730	ORANGE LIGHT 230V	23/05/2007-
005	3106710	GREEN LIGHT 230V	23/05/2007-
006	35S5740	BRACKET	01/09/1996-
007	36D3420	RH END SIDE	01/09/1996-
008	3AA0920	UPPER CONTROL BOARD	01/09/1996-
009	35S6751	SUPPORT 030FE1	01/09/1996-
010	32W2550	SWITCH	01/09/1996-
011	3121480	WASHER Ø12.5 Ø6.4 = 1.6	01/09/1996-
012	36G5160	CARDAN JOINT	01/09/1996-
013	36D7030	PIN 70F1	01/09/1996-
014	30M1451	TOP ASS. Y	01/09/1996-
015	6300359	DEVICE THERMOST.	01/09/1996-
016	171WR01	JUNCTION BOX	01/09/1996-
017	170WR01	JUNCTION BOX	01/09/1996-
018	6002500	DOOR ASS.Y	01/09/1996-
019	35Q4220	GUARD	01/09/1996-
020	35Q4580	GUARD	01/09/1996-
021	35U3150	""C"" BRACKET"	01/09/1996-
022	36G5240	SPRING	01/09/1996-
023	36M2541	RH UPPER HINGE	01/09/1996-
024	36M2910	TERMINAL	01/09/1996-
025	36M2471	HANDLE	01/09/1996-
026	35G1920	DOOR	01/09/1996-
027	36M2500	RH LOWER HINGE ASS. Y	01/09/1996-
028	3AG0140	RH INNER DOOR FRAME ASS. Y	01/09/1996-
029	35G4510	EL. BOX COVER	01/09/1996-
030	35Q6700	PANEL BOARD	01/09/1996-
031	32X0130	GROMMET Ø29-Ø37	01/09/1996-
032	6002040	WELL LID ASS. Y	01/09/1996-
033	30Q1020	REAR PLATE ASS. Y	01/09/1996-
034	30T2590	"L" BRACKET	01/09/1996-
035	30W2450	WELL ASS. Y	01/09/1996-
036	3150790	THERMOSTAT PROTECT.	01/09/1996-
037	35G7250	RH COCK HANDLE	26/07/2005-
038	36M2130	HANDLE	01/09/1996-
039	36D9360	FOOT HOUSING ASS. Y	01/09/1996-
040	36D9350	STAINLESS STEEL FOOT	01/09/1996-
041	36D9340	STAINLESS STEEL FOOT ASS.Y	01/09/1996-
042	35U4580	"OMEGA" BRACKET	01/09/1996-
043	35N0400	BOTTOM PLATE	01/10/1996-
044	3170290	KNOB SPRING	01/09/1996-
045	32D0060	TERMINAL CLAMPING BOARD	01/09/1996-
046	32D0840	LIVE TERMINAL	01/10/1996-
047	35A8110	RH PANEL	01/09/1996-
048	30T1730	SIDE FRAME ASS. Y	01/09/1996-
049	32D0860	GROUND TERMINAL	01/10/1996-
050	35A8120	LH PANEL	01/09/1996-
051	32D0730	COCK MF 1" 480V	01/10/1996-

Pos	Code	Description	Info
053	32G1181	HEATING EL.	01/09/1996-
054	32W3340	MICROSWITCH	11/03/2008-
055	32X0210	GROMMET	01/09/1996-
056	35U7140	"L" BRACKET	01/09/1996-
057	35A9220	REAR PANEL	01/09/1996-
058	32Z2091	RELAY 220/230V-40A- 50/60Hz	01/09/1996-
059	32Z3631	SAFETY THERMOSTAT	01/09/1996-
060	32Z5500	BOUNCE CONTROL	01/09/1996-
061	35B0221	HEATING EL. SUPPORT	01/09/1996-
062	35Q7800	LIGHT PROTECTION	05/07/2000-
063	35S0501	30F1B FLAT BRACKET	01/09/1996-
064	35S0530	BAR CLAMP BRACKET	01/09/1996-
065	35S5380	BULB HOLDER	01/09/1996-
066	35U6260	"L" BRACKET	25/06/1997-
067	35U6270	""OMEGA"" BRACKET"	01/09/1996-
068	35U6290	ROD GUIDE	01/09/1996-
069	35Z5960	REAR CABLE PIPE	01/09/1996-
070	36A3500	BASKET SUPPORT	01/09/1996-
071	36D3410	PIPE GUIDE	01/09/1996-
072	36D3760	WELL BRACKET	01/09/1996-
073	36D4130	MOBILE ROD	01/09/1996-
074	31Z8160	LOCK PIN Ø 6X36	01/09/1996-
075	36G2980	PIN	01/09/1996-
076	36G3730	SPRING	01/09/1996-
077	36Q1100	LOCK NUT 3/4"	01/09/1996-
078	35S5270	STIFFENING	01/09/1996-
079	36D6860	FOOT	01/09/1996-
080	35G7150	WELL LID	01/09/1996-
081	3212440	DRAIN PIPE	26/07/2012-
082	3151080	"O" RING Ø 29.80	01/09/1996-
083	6024400	ASSEMBLY COCK	15/03/2007-
084	36A3491	BASKET 380X150X120	01/09/1996-
085	32X0010	GROMMET Ø 7 Ø 3	01/09/1996-
086	35S7260	PANEL PROTECTION	01/09/1996-
087	36D6950	PIN	01/09/1996-
092	32Q3560	EL. CABLES 70FE1B	01/09/1996-
093	32Q0101	EL. CABLES EL. 70FE1	01/09/1996-