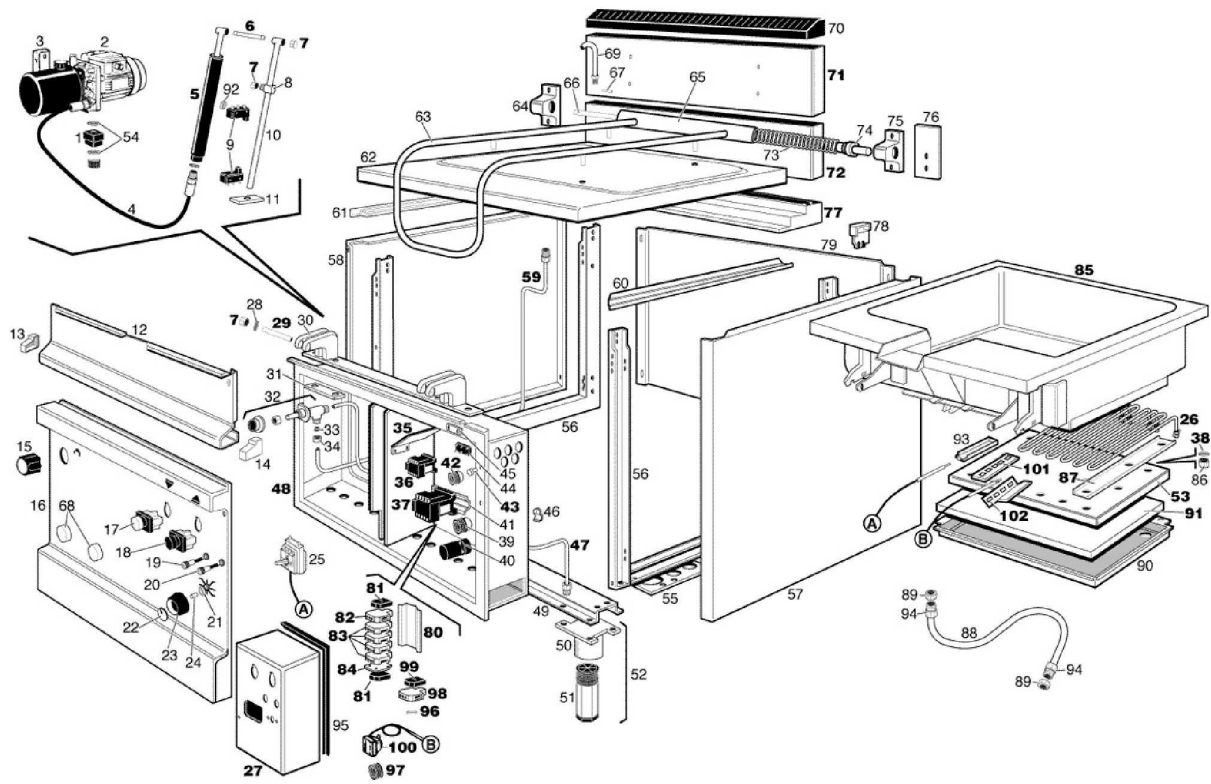




71ARE

Edition 20111001-



Page	Pos	Code	Description	Info
002	001	32Z5220	SOLENOID VALVE COIL 220V-50Hz	01/09/1996-
002	001	32Z5230	SOLENOID VALVE COIL 220V. 60HZ	01/09/1996-
002	002	36G2091	ELECTR. PUMP	01/09/1996-
002	002	36G3741	220/240V-50Hz ELECTR. PUMP 60HZ	01/09/1996-
002	003	35R1970	SUPPORT	30/09/1996-
002	004	36G2100	FLEXIBLE PIPE	01/09/1996-
002	005	36G2082	HYDRAULIC RAM	01/09/1996-
002	006	36D2101	PIN	01/09/1996-
002	007	3128420	BENZING RING Ø 9	01/09/1996-
002	008	36D2110	ROD GUIDE	01/09/1996-
002	009	32W3251	PROTECTED MICROSWITCH	01/09/1996-
002	010	36D2140	MICROSWITCH ROD	01/09/1996-
002	011	36D2170	MICROSWITCH SUPPORT	01/09/1996-
002	012	35A9570	UPPER CONTROL BOARD	01/09/1996-
002	013	36D3430	LH END SIDE	01/09/1996-
002	014	36D3420	RH END SIDE	01/09/1996-
002	015	36M2632	BLUE RING KNOB	01/01/2011-
002	016	35C0011	FRONT PANEL ASS. Y	01/09/1996-
002	017	6300836	PUSH BUTTON	01/10/2011-
002	018	6300836	PUSH BUTTON	01/10/2011-
002	019	3106730	ORANGE LIGHT 230V	23/05/2007-
002	020	3106710	GREEN LIGHT 230V	23/05/2007-
002	021	3150790	THERMOSTAT PROTECT.	01/09/1996-
002	022	36M2800	KNOB PLATE	01/09/1996-
002	023	36M2620	ELECTRIC CONTROL KNOB	01/09/1996-
002	024	3170290	KNOB SPRING	01/09/1996-
002	025	32V6510	THERMOSTAT 50-310° C 1F	25/05/2004-
002	026	32G0251	HEATING ELEMENT	01/09/1996-
002	027	35Q8031	GUARD ASS.Y	01/09/1996-
002	028	3120820	WASHER Ø 21 Ø 10.5=2	01/09/1996-
002	029	36G2831	PIN	01/09/1996-
002	030	36M2760	WELL HINGE ASS.Y	01/09/1996-
002	031	35U5130	STIFFENING	01/09/1996-
002	032	33D0590	"COCK 3/8""	01/09/1996-
002	033	36Q0080	BICONE Ø 10X6.5	01/09/1996-
002	034	36Q0140	BICONE NUT Ø 10	01/09/1996-
002	035	35Q8411	HEATING ELEMENT GUARD	01/09/1996-
002	036	32Z2080	RELAY	01/09/1996-
002	036	32Z2091	RELAY 220/230V-40A- 50/60Hz	01/09/1996-
002	037	32Z2520	RELAY 240V.5 0HZ	01/09/1996-
002	037	32Z4471	RELAIS 220V - 50HZ	01/09/1996-
002	038	3126320	SPRING	01/09/1996-
002	039	32X0120	GROMMETØ 21	01/09/1996-
002	040	32D0220	CABLE CLAMP Ø 16	01/09/1996-
002	041	32D0940	"OMEGA" BRACKET	01/09/1996-
002	042	32X0140	GROMMET Ø13,5-Ø25	01/09/1996-
002	043	32X0190	CABLE SUPPORT	01/09/1996-
002	044	32D0030	TERMINAL BOARD	01/09/1996-
002	045	35U5510	CAPILLARY BULB SUPPORT	01/09/1996-
002	046	3140290	PIPE CLAMP Ø10	01/09/1996-
002	047	30Z1483	PIPE	01/09/1996-

Page	Pos	Code	Description	Info
002	048	30A3631	FRONT FRAME ASSEMBLY	30/09/1996-
002	049	35U3300	""OMEGA"" BRACKET"	01/09/1996-
002	050	36D9360	FOOT HOUSING ASS. Y	01/09/1996-
002	051	36D9350	STAINLESS STEEL FOOT	01/09/1996-
002	052	36D9340	STAINLESS STEEL	01/09/1996-
002	053	35V6681	FOOT ASS.Y HEATING EL. SUPPORT	01/09/1996-
002	054	3151030	"O" RING	01/09/1996-
002	055	35U7321	"Z" BRACKET	01/09/1996-
002	056	30T1730	SIDE FRAME ASS. Y	01/09/1996-
002	057	35A8110	RH PANEL	01/09/1996-
002	058	35A8120	LH PANEL	01/09/1996-
002	059	30Z1472	WATER PIPE ASS. Y	01/09/1996-
002	060	35U5260	"Z" BRACKET	01/09/1996-
002	061	35U5270	"Z" BRACKET	01/09/1996-
002	062	30G1051	WELL LID	01/09/1996-
002	063	36M5190	HANDLE	01/09/1996-
002	064	36D2800	LH HINGE SUPPORT	01/09/1996-
002	065	36G6680	LID HINGE	01/09/1996-
002	066	36G2650	HINGE SHAFT	01/09/1996-
002	067	31Z8910	LOCKPIN Ø 4X10	01/09/1996-
002	068	37Q7600	HEAT. ELEM.	01/09/1996-
002	069	33Q2800	PROTECTION WATER SPOUT	01/09/1996-
002	070	35A9090	FLUE GUARD	01/09/1996-
002	071	30D1231	EXT FLUE ASS. Y	01/09/1996-
002	072	30T1821	STIFFENING	01/09/1996-
002	073	36G2640	SPRING	01/09/1996-
002	074	36G2680	SPRING PIN	01/09/1996-
002	075	36D2790	RH HINGE SUPPORT	01/09/1996-
002	076	35U3760	STIFFENING	01/09/1996-
002	077	35Q5631	REAR COVER	01/09/1996-
002	078	35U5120	SUPPORT	01/09/1996-
002	079	35A8130	REAR PANEL	01/09/1996-
002	080	35V5810	OMEGA BRACKET	01/09/1996-
002	081	32D0870	TERMINAL CLAMP	01/09/1996-
002	082	32D0970	GROUND TERMINAL	01/09/1996-
002	083	32D0950	LIVE TERMINAL	01/09/1996-
002	084	32D0960	TERMINAL END COVER	01/09/1996-
002	085	30W0122	WELL ASS. Y	01/09/1996-
002	086	3110050	STEEL NUT M8X6.5	01/09/1996-
002	087	35V6691	"U" BRACKET	01/09/1996-
002	088	3200100	METALLIC HOSE	01/09/1996-
002	089	36Q1100	LOCK NUT 3/4"	01/09/1996-
002	090	37Q2670	INSULATING PANEL	01/09/1996-
002	091	35C0892	INSULATION PANEL COVER	01/09/1996-
002	092	3200230	REDUCED BUSHING	01/09/1996-
002	093	36D3260	PROBE SUPPORT	01/09/1996-
002	094	3201660	METALLIC HOSE NIPPLE	01/09/1996-
002	095	37Q2982	GASKET	25/03/1999-
002	096	3200020	FUSE 5X20	01/09/1996-
002	097	32D0210	FAIRLED	01/09/1996-
002	098	32D1730	FUSE TERMINAL BOARD	24/01/2002-

Page	Pos	Code	Description	Info
002	099	32D1740	TERMINAL	24/01/2002-
002	100	32Z9202	SAFETY THERMOSTAT	10/11/2004-
002	101	35R0430	PROBE PROFILE	01/09/1996-
002	102	35R0440	BULB HOLDER SUPPORT	01/09/1996-
002	103	32Q3890	EL. CABLES 91ARE	01/09/1996-
002	104	35S2930	"L" BRACKET	01/10/1996-
002	105	36D1130	SHOCK ABSORBER	30/09/1996-
002	106	35R2010	SUPPORT	30/09/1996-