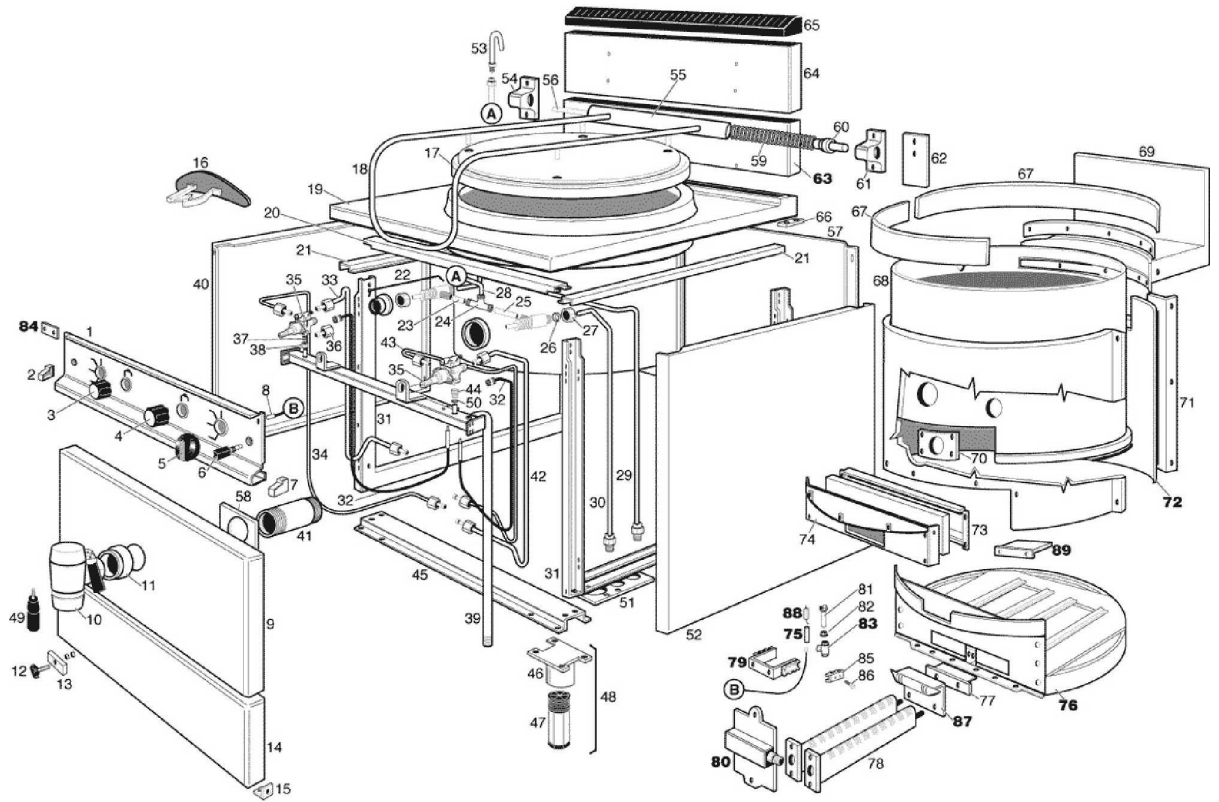




71PD10

Edition 20110101-



| Pos | Code | Description | Info |
|-----|---------|----------------------------|-------------|
| 001 | 35A8460 | UPPER CONTROL BOARD | 01/11/1995- |
| 002 | 36D3430 | LH END SIDE | 01/11/1995- |
| 003 | 36M2642 | RED RING KNOB | 01/01/2011- |
| 004 | 36M2632 | BLUE RING KNOB | 01/01/2011- |
| 005 | 36M2390 | GAS CONTROL KNOB | 01/11/1995- |
| 006 | 32T0130 | PIEZO IGNITION | 01/11/1995- |
| 007 | 36D3420 | RH END SIDE | 01/11/1995- |
| 008 | 32A0061 | CABLE "HF" 1100MM | 01/11/1995- |
| 009 | 35A9150 | UPPER FRONT PANEL | 01/11/1995- |
| 010 | 33D2291 | "DRAIN COCK 2"" | 01/10/2008- |
| 011 | 37M0580 | COVER RING Ø 112 | 01/11/1995- |
| 012 | 36M1870 | HANDLE | 01/11/1995- |
| 013 | 35T9780 | FLAT BRACKET | 01/11/1995- |
| 014 | 35A9140 | LOWER FRONT PANEL | 01/11/1995- |
| 015 | 35U3770 | "L" BRACKET | 01/11/1995- |
| 016 | 30Q0450 | FILTER | 01/11/1995- |
| 017 | 35G2010 | PAN LID | 01/11/1995- |
| 018 | 36M5190 | HANDLE | 01/11/1995- |
| 019 | 30W1540 | PAN 100 LT. ASS. Y | 01/11/1995- |
| 020 | 35U3791 | UPPER CROSS MEMBER | 01/11/1995- |
| 021 | 35U3780 | UPPER SIDE MEMBER | 01/11/1995- |
| 022 | 33D0590 | "COCK 3/8"" | 01/11/1995- |
| 023 | 35Z5630 | SPACER | 01/11/1995- |
| 024 | 33Q0140 | "T" JOINT | 01/11/1995- |
| 025 | 35Z5620 | PIPE Ø 10X1X55 | 01/11/1995- |
| 026 | 36Q0080 | BICONE Ø 10X6.5 | 01/11/1995- |
| 027 | 36Q0140 | BICONE NUT Ø 10 | 01/11/1995- |
| 028 | 30Z1401 | WATER PIPE ASS. Y | 01/11/1995- |
| 029 | 30Z1381 | REAR PIPE ASS. Y | 01/11/1995- |
| 030 | 30Z1391 | PIPE | 01/11/1995- |
| 031 | 30T1730 | SIDE FRAME ASS. Y | 01/11/1995- |
| 032 | 33A0520 | THERMOCOUPLE | 01/11/1995- |
| 033 | 35Z5560 | LH BURNER GAS PIPE | 01/11/1995- |
| 034 | 35Z5580 | LH BURNER GAS PIPE | 01/11/1995- |
| 035 | 33A1040 | GAS CONTROL | 01/11/1995- |
| 036 | 32Z1460 | VALVE MAGNET | 01/11/1995- |
| 037 | 36Q0030 | BICONE Ø12X8 | 01/11/1995- |
| 038 | 36Q0050 | BICONE NUT Ø 12 | 01/11/1995- |
| 039 | 30Z1370 | GAS MANIFOLD ASS. Y | 01/11/1995- |
| 040 | 35A8120 | LH PANEL | 01/11/1995- |
| 041 | 35Z5100 | DRAIN PIPE | 01/11/1995- |
| 042 | 35Z5550 | PIPE | 01/11/1995- |
| 043 | 35Z5570 | PIPE | 01/11/1995- |
| 044 | 31A7380 | SCREW TE M5X10 | 01/11/1995- |
| 045 | 35U3300 | ""OMEGA"" BRACKET" | 01/11/1995- |
| 046 | 36D9360 | FOOT HOUSING ASS. Y | 01/11/1995- |
| 047 | 36D9350 | STAINLESS STEEL FOOT | 01/11/1995- |
| 048 | 36D9340 | STAINLESS STEEL FOOT ASS.Y | 01/11/1995- |
| 049 | 36M1330 | KNOB | 01/11/1995- |
| 050 | 3128460 | WASHER | 01/11/1995- |
| 051 | 35U7321 | "Z" BRACKET | 01/11/1995- |

| Pos | Code | Description | Info |
|-----|---------|------------------------|-------------|
| 052 | 35A8110 | RH PANEL | 01/11/1995- |
| 053 | 33Q2582 | WATER SPOUT | 01/11/1995- |
| 054 | 36D2800 | LH HINGE SUPPORT | 01/11/1995- |
| 055 | 36G6680 | LID HINGE | 01/11/1995- |
| 056 | 36G2650 | HINGE SHAFT | 01/11/1995- |
| 057 | 35A8130 | REAR PANEL | 01/11/1995- |
| 058 | 35Q1000 | FLAT BRACKET | 01/11/1995- |
| 059 | 36G2640 | SPRING | 01/11/1995- |
| 060 | 36G2680 | SPRING PIN | 01/11/1995- |
| 061 | 36D2790 | RH HINGE SUPPORT | 01/11/1995- |
| 062 | 35U3760 | STIFFENING | 01/11/1995- |
| 063 | 30T1821 | STIFFENING | 01/11/1995- |
| 064 | 30D1110 | EXT. FLUE 800MM ASS. Y | 01/11/1995- |
| 065 | 35A9090 | FLUE GUARD | 01/11/1995- |
| 066 | 35U4380 | STIFFENING | 01/11/1995- |
| 067 | 37Q1960 | INSULATING PANEL | 01/11/1995- |
| 068 | 35D0240 | COMBUSTION CHAMBER | 01/11/1995- |
| 069 | 30D1101 | FLUE ASS. Y | 21/12/1995- |
| 070 | 35G1530 | FLAT BRACKET | 01/11/1995- |
| 071 | 35Q1170 | INS. PANEL COVERING | 01/11/1995- |
| 072 | 37Q0180 | INSULATING PANEL | 01/11/1995- |
| 073 | 35Q2900 | INNER FLAME GUARD | 01/11/1995- |
| 074 | 35Q2910 | OUTER FLAME GUARD | 01/11/1995- |
| 075 | 131AA46 | HOSE 8'X40 | 01/11/1995- |
| 076 | 30D4760 | CHAMBER BOTTOM | 01/11/1995- |
| 077 | 35T8520 | ASS. Y "L" BRACKET | 01/11/1995- |
| 078 | 34A0230 | BURNER | 01/11/1995- |
| 079 | 35R0100 | PILOT LIGHT SUPPORT | 01/11/1995- |
| 080 | 30Z1010 | BURNER MANIFOLD ASS. Y | 01/11/1995- |
| 081 | 33A1081 | THREE-FLAME BURNER | 24/04/2008- |
| 082 | 33A0970 | RING NUT | 01/11/1995- |
| 083 | 33A2900 | PILOT BURNER BODY | 01/11/1995- |
| 084 | 35T9650 | FLAT BRACKET | 01/11/1995- |
| 085 | 33A0950 | REAR BRACKET | 01/11/1995- |
| 086 | 33A0980 | SCREW 3/16W. X18TE | 01/11/1995- |
| 087 | 35V9990 | FLAME SUPPORT ASS. Y | 01/11/1995- |
| 088 | 32T0010 | IGNITION PLUG | 27/01/2010- |
| 089 | 35W0620 | SMOKES VISIBLE MIRROR | 01/11/1995- |