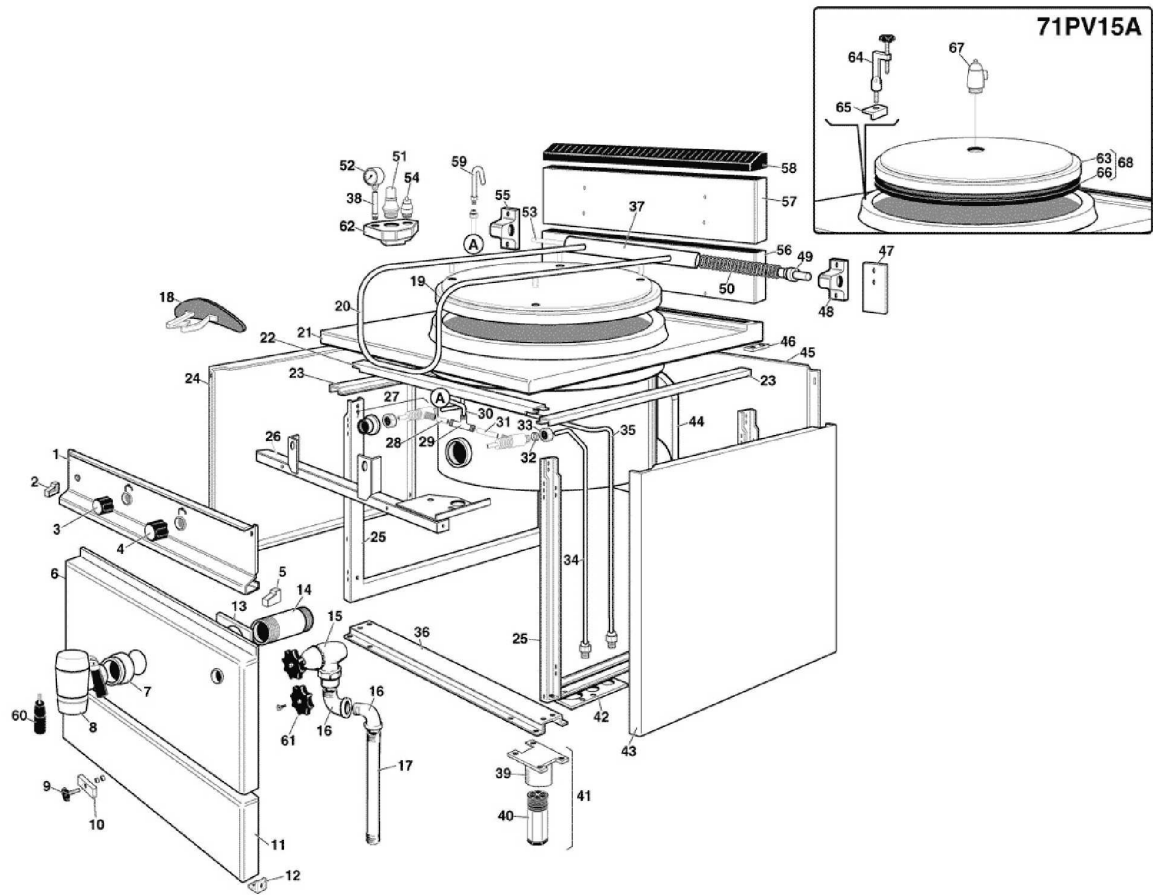




71PV15A

Edition 20110101-



Page	Pos	Code	Description	Info
002	001	35B0980	UPPER CONTROL BOARD	01/09/1993-
002	002	36D3430	LH END SIDE	01/09/1993-
002	003	36M2642	RED RING KNOB	01/01/2011-
002	004	36M2632	BLUE RING KNOB	01/01/2011-
002	005	36D3420	RH END SIDE	01/09/1993-
002	006	35B0960	UPPER FRONT PANEL	01/09/1993-
002	007	37M0580	COVER RING Ø 112	01/09/1993-
002	008	33D2291	"DRAIN COCK 2""	01/10/2008-
002	009	36M1870	HANDLE	01/09/1993-
002	010	35T9780	FLAT BRACKET	01/09/1993-
002	011	35B4361	LOWER FRONT PANEL	01/09/1993-
002	012	35U3770	"L" BRACKET	01/09/1993-
002	013	35Q1000	FLAT BRACKET	01/09/1993-
002	014	35Z5100	DRAIN PIPE	01/09/1993-
002	015	33G0031	STEAM COCK 1"1/4	01/09/1993-
002	016	33Q1750	ELBOW MF 1/4"	01/09/1993-
002	017	35Z6510	STEAM MANIFOLD	01/09/1993-
002	018	30Q0450	FILTER	01/09/1993-
002	020	36M5190	HANDLE	01/09/1993-
002	021	30W1800	PAN 150LT. ASS. Y	01/09/1993-
002	022	35U3791	UPPER CROSS MEMBER	01/09/1993-
002	023	35U3780	UPPER SIDE MEMBER	01/09/1993-
002	024	35A8120	LH PANEL	01/09/1993-
002	025	30T1730	SIDE FRAME ASS. Y	01/09/1993-
002	026	30T2180	COCK CROSS MEMBER	01/09/1993-
002	027	33D0590	"COCK 3/8""	01/09/1993-
002	028	35Z5630	SPACER	01/09/1993-
002	029	33Q0140	"T" JOINT	01/09/1993-
002	030	30Z1401	WATER PIPE ASS. Y	01/09/1993-
002	031	35Z5620	PIPE Ø 10X1X55	01/09/1993-
002	032	36Q0080	BICONE Ø 10X6.5	01/09/1993-
002	033	36Q0140	BICONE NUT Ø 10	01/09/1993-
002	034	30Z1391	PIPE	01/09/1993-
002	035	30Z1381	REAR PIPE ASS. Y	01/09/1993-
002	036	35U3300	""OMEGA"" BRACKET"	01/09/1993-
002	037	36G6680	LID HINGE	01/09/1993-
002	038	33G0040	GAUGE SOCKET	01/09/1993-
002	039	36D9360	FOOT HOUSING ASS. Y	01/09/1993-
002	040	36D9350	STAINLESS STEEL FOOT	01/09/1993-
002	041	36D9340	STAINLESS STEEL FOOT ASS.Y	01/09/1993-
002	042	35U7800	FLAT BRACKET	01/09/1993-
002	043	35A8110	RH PANEL	01/09/1993-
002	044	37Q2000	INSULATING PANEL	01/09/1993-
002	045	35A8130	REAR PANEL	01/09/1993-
002	046	35U4380	STIFFENING	01/09/1993-
002	047	35U3760	STIFFENING	01/09/1993-
002	048	36D2790	RH HINGE SUPPORT	01/09/1993-
002	049	36G2680	SPRING PIN	01/09/1993-
002	050	36G2640	SPRING	01/09/1993-
002	051	33G0200	PRESS. RELEASE VALVE	01/09/1993-
002	052	32Z0060	PRESSURE GAUGE 0-1 BAR	01/09/1993-

Page	Pos	Code	Description	Info
002	053	36G2650	HINGE SHAFT	01/09/1993-
002	054	33G0170	VACUUM VALVE 3/4"	01/09/1993-
002	055	36D2800	LH HINGE SUPPORT	01/09/1993-
002	056	30T1820	STIFFENING	01/09/1993-
002	057	30D1110	EXT. FLUE 800MM ASS. Y	01/09/1993-
002	058	35A9090	FLUE GUARD	01/09/1993-
002	059	33Q2582	WATER SPOUT	01/09/1993-
002	060	36M1330	KNOB	01/09/1993-
002	061	36M0960	PRESS. VALVE KNOB	01/09/1993-
002	062	33G0130	VERT. EXPANSION BOX	01/09/1993-
002	063	30G1100	PAN LID ASS. Y	01/09/1993-
002	064	36M0830	LID CLAMP	01/09/1993-
002	065	35T0400	STIFFENING	01/09/1993-
002	066	137AA10	GASKET 15X20 P110A	01/09/1993-
002	067	33G0151	PRESS. RELEASE	29/10/2007-
002	068	6002220	VALVE PRESSURE PAN LID	01/09/1993-
002	069	37Q3960	GASKET ØE56ØI46	11/12/1997-