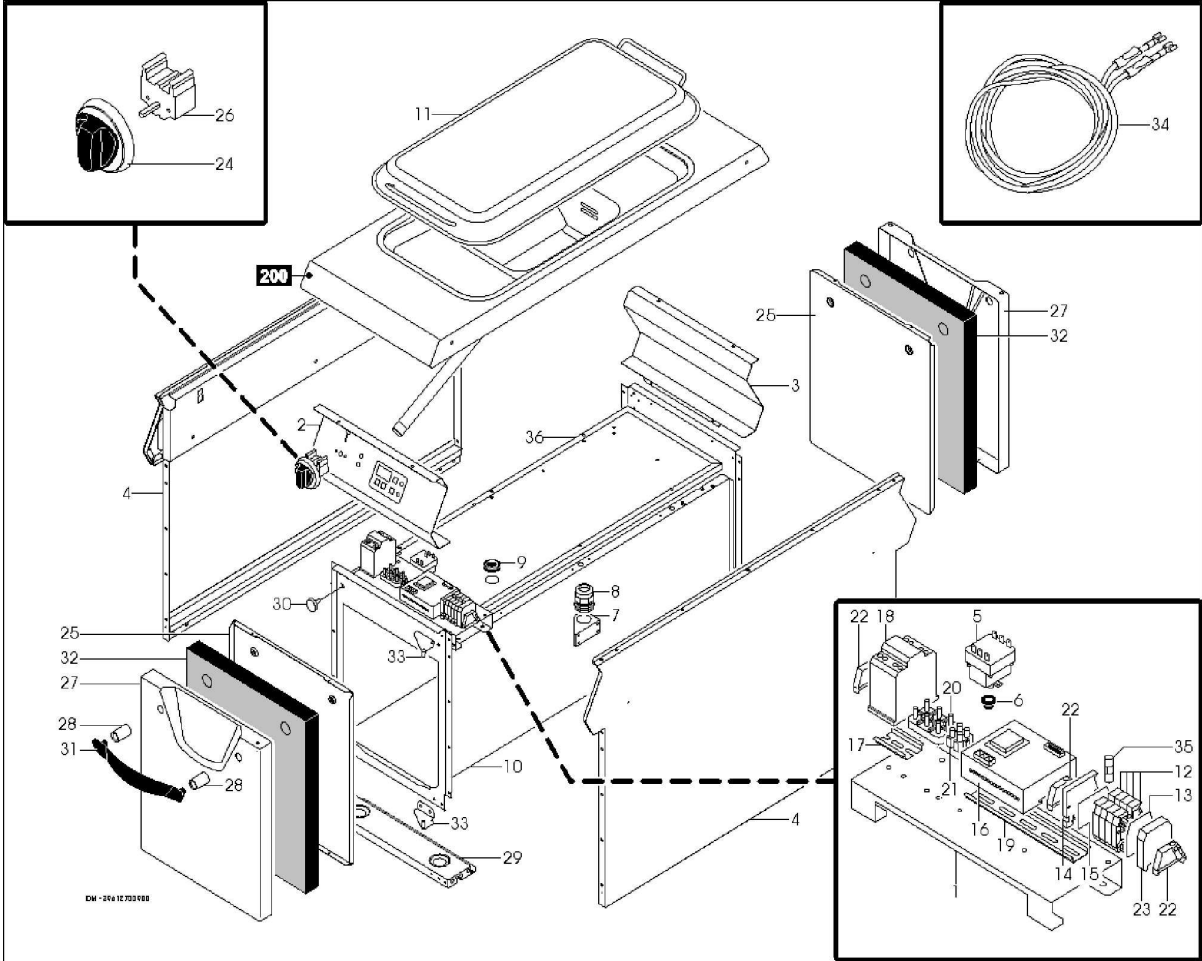
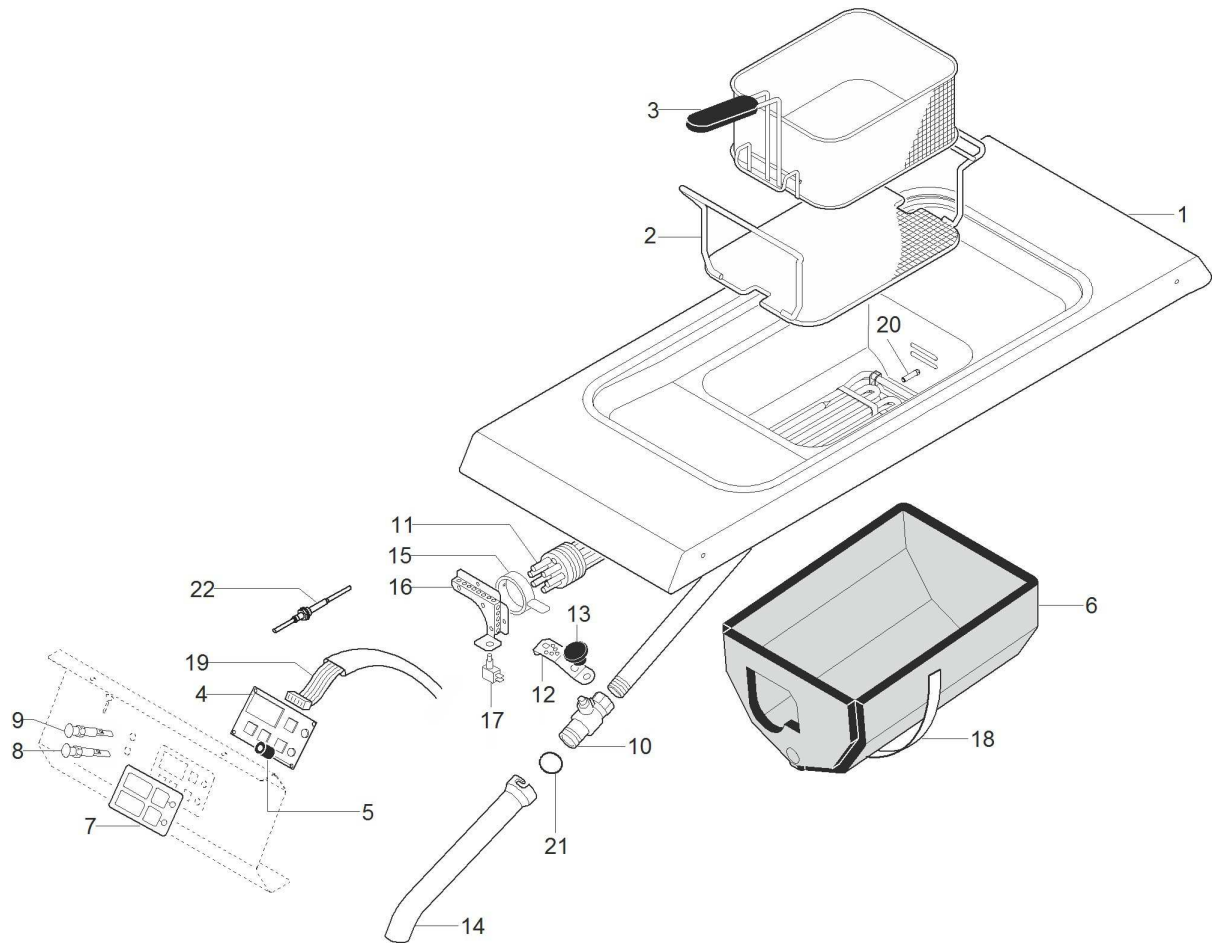




04WFR3ED

Edition 20140611-





Page	Pos	Code	Description	Info
002	001	3007060	EL. BOARD	08/11/2004-
002	002	3014270	UPPER CONTROL BOARD	08/11/2004-
002	003	3013730	UPPER CONTROL BOARD	08/11/2004-
002	004	3012210	PANEL RIGHT LEFT	08/11/2004-
002	005	32V6561	SAFETY THERMOSTAT	28/10/2008-
002	006	37Q3270	SWITCH COVER	08/11/2004-
002	007	3011980	PROFILE "C"	08/11/2004-
002	008	32D1780	FAIRLEAD	08/11/2004-
002	009	32X0130	GROMMET Ø29-Ø37	08/11/2004-
002	010	3012601	UNDERCOMPARTMENT	08/11/2004-
002	011	3104540	LID	30/10/2007-
002	012	32D0950	LIVE TERMINAL	08/11/2004-
002	013	32D0960	TERMINAL END COVER	08/11/2004-
002	014	32D1730	FUSE TERMINAL	08/11/2004-
002	015	32D1740	BOARD TERMINAL	08/11/2004-
002	016	32Z9090	ELECTONIC CONTROL	08/11/2004-
002	017	32D0940	"OMEGA" BRACKET	08/11/2004-
002	018	3100910	RELAY 220/230V- 50/60Hz	13/04/2007-
002	019	32D0400	OMEGA BRACKET	08/11/2004-
002	020	32D0030	TERMINAL BOARD	08/11/2004-
002	021	32D1450	TERMINAL	08/11/2004-
002	022	32D0870	TERMINAL CLAMP	08/11/2004-
002	023	32D0970	GROUND TERMINAL	08/11/2004-
002	024	3015851	ELECTRIC CONTROL KNOB	12/03/2008-
002	025	3010510	COUNTER DOOR	08/11/2004-
002	026	32W0490	SWITCH	08/11/2004-
002	027	3177270	OVAL DOOR	19/05/2010-
002	028	3011050	SPACER	08/11/2004-
002	029	35Y0132	PROFILE OMEGA	08/11/2004-
002	030	3600090	MAGNET PLATE	08/11/2004-
002	031	3010573	HANDLE	04/10/2013-
002	032	3011060	INSULANTING PANEL	08/11/2004-
002	033	6029110	HINGE ASSEMBLY	19/05/2010-
002	034	3006450	EL. CABLES	08/11/2004-
002	035	3201540	FUSE 5X20	08/11/2004-
002	036	3014310	CUP BOARD CEILING	08/11/2004-
002	200	M022330	M.TOP	08/11/2004-
003	001	3014380	TOP WELL ASS. Y	08/11/2004-
003	002	3020580	BOTTOM PLATE	08/11/2004-
003	003	3007210	BASKET 283x225x115	08/11/2004-
003	004	32V0780	BOARD	08/11/2004-
003	005	36C0970	SPACER	08/11/2004-
003	006	3031990	INSULANTING PANEL	08/11/2004-
003	007	37M8560	CONTROL PANEL	08/11/2004-
003	008	3106710	GREEN LIGHT 230V	23/05/2007-
003	009	3106730	ORANGE LIGHT 230V	23/05/2007-
003	010	33D1770	BALL VALVE	08/11/2004-
003	011	32G2610	HEATING ELEMENT 7.2KW	08/11/2004-
003	012	35G7250	RH COCK HANDLE	08/11/2004-
003	013	36M5430	HANDLE	08/11/2004-
003	014	3268960	DRAIN PIPE	11/06/2014-

Page	Pos	Code	Description	Info
003	015	30T7021	LEVER	22/10/2010-
003	016	3014820	MICROSWITCH BRACKET	08/11/2004-
003	017	32W3340	MICROSWITCH	08/11/2004-
003	018	36E0780	HOSE CLAMP	08/11/2004-
003	019	3038000	ELECTRIC CABLE	08/11/2004-
003	020	3182220	PIN	30/06/2010-
003	021	3150690	"O" RING	08/11/2004-
003	022	32V0030	THERMISTOR PROBE	08/11/2004-