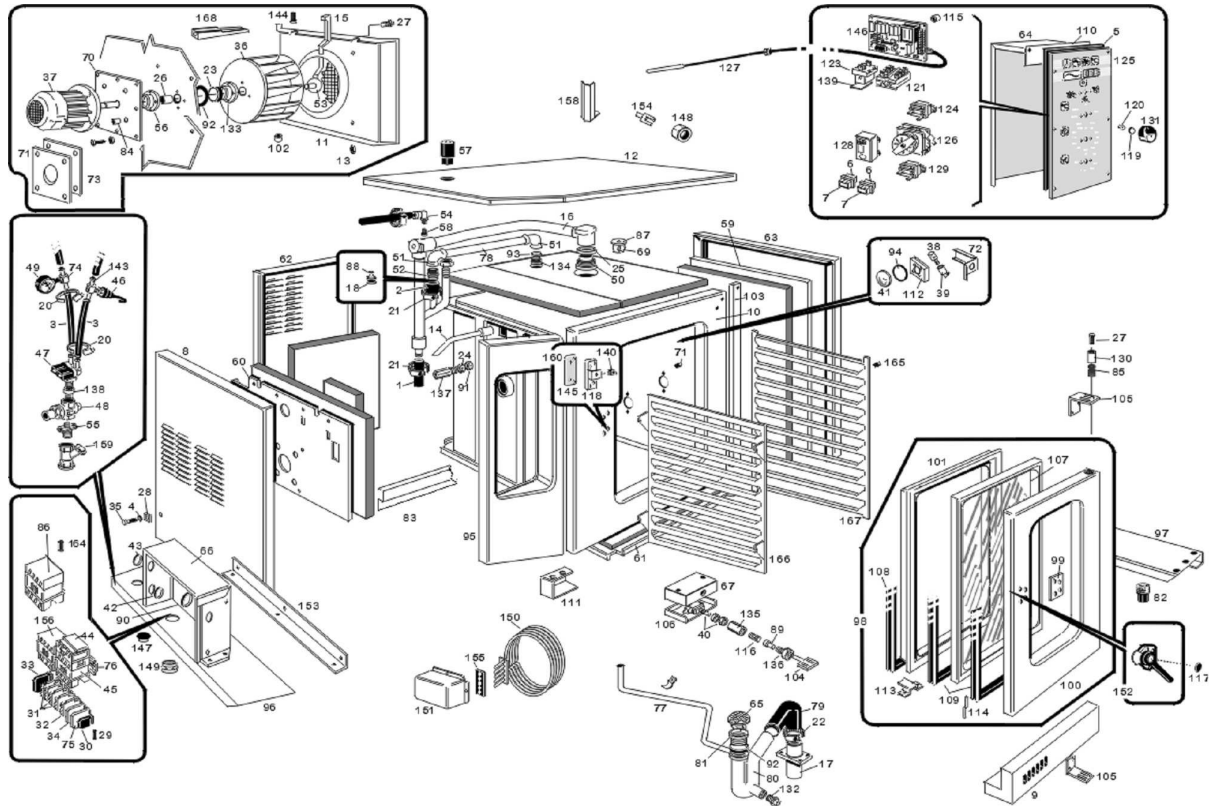




FCV101E-UL

Edition 20101123-



Pos	Code	Description	Info
001	111AA05	RUBBER HOSE Ø30 Ø20	01/03/2000-
002	131AA23	RUBBER HOSE Ø35 Ø28	01/03/2000-
003	131AA12	RUBBER HOSE Ø17 Ø10 X H ² O	01/03/2000-
004	3188650	WASHER	23/11/2010-
005	137AA15	GASKET	01/03/2000-
006	170WR01	JUNCTION BOX	01/03/2000-
007	171WR01	JUNCTION BOX	01/03/2000-
008	35C3692	LH PANEL ASS.Y	01/03/2000-
009	3120390	WASHER	01/03/2000-
010	30D5820	COOKING CHAMBER	01/03/2000-
011	35Y0580	CHAMBER AIR GUIDE	01/03/2000-
012	30G2910	OVEN COVER ASS. Y	01/03/2000-
014	30Z2050	PIPE AISI304 Ø12-	01/03/2000-
015	30Z2060	159X77 END PIPE, COMPLETE	01/03/2000-
016	30Z7691	STEAM DRAIN PIPE ASS.Y	01/03/2000-
017	33Q6100	LOWER DRAIN PIPE	01/03/2000-
018	36G6750	RING NUT	01/03/2000-
019	3140300	HOSE CLAMP	01/03/2000-
020	3140230	12/20 PIPE CLAMP	01/03/2000-
021	3140300	HOSE CLAMP	01/03/2000-
022	3140380	HOSE CLAMP	01/03/2000-
023	3150900	GASKET	01/03/2000-
024	3151440	WASHER	01/03/2000-
025	3151450	WASHER	01/03/2000-
026	3151490	BEARING	01/03/2000-
027	3190020	SCREW M6X10	01/03/2000-
028	3170110	ACCOMODATION Ø6	01/03/2000-
029	3200140	FUSE	01/03/2000-
030	32D0870	TERMINAL CLAMP	01/03/2000-
031	32D0980	LIVE TERMINAL	01/03/2000-
032	32D1000	GROUND TERMINAL	01/03/2000-
033	32D0960	TERMINAL END COVER	01/03/2000-
034	32D0641	FUSE TERMINAL BOARD	01/03/2000-
035	31X0170	PIN FT Ø6	01/03/2000-
036	32M2561	FAN Ø335	01/03/2000-
037	32M3110	MOTOR 0.37KW T.71- B5	01/03/2000-
038	32W0210	OVEN LAMP 25 W	01/03/2000-
039	32W2561	LAMP HOLDER	01/03/2000-
040	32W3340	MICROSWITCH	01/03/2000-
041	6300645	GLASS + WASHER	04/08/2004-
042	32X0120	GROMMET Ø 21	01/03/2000-
043	32X0130	GROMMET Ø29-Ø37	01/03/2000-
044	32V1080	SWITCH RELAY 1-2.9 A	01/03/2000-
045	32V1060	RELAY 208-240V-50HZ	01/03/2000-
046	3041830	PRESSURESTAT	30/09/2004-
047	33D2410	"SOLENOID VALVE 3/4"" 1IN-2OUT"	01/03/2000-
048	33D1650	"PRES. REDUC. VAL. F-F Ø 1/2"""	01/03/2000-
049	33D1680	MANOMETRE 0-40BAR M1/8	01/03/2000-
050	33Q5410	VALVE CONNECTOR	01/03/2000-
051	33Q5420	"ELBOW FF 3/4"""	01/03/2000-
052	33Q5450	DEPRES. CONNECTOR	01/03/2000-

Pos	Code	Description	Info
053	30Z0480	WATER DIFFUSER	01/03/2000-
054	33Q5592	NOZZLE SUPPORT. ELBOW	01/03/2000-
055	33Q5641	ENTRY CONNECTOR H2O	01/03/2000-
056	33Q5690	BUSHING SUPPORT	01/03/2000-
057	33Q5980	SOUND REDUC. CONNECTOR	01/03/2000-
058	33T3720	NOZZLE	01/03/2000-
059	35C2670	INSULATION PANEL	01/03/2000-
060	35B4760	COVER INS. PANEL COVERING	01/03/2000-
061	35B4821	INSULATION PANEL COVER	01/03/2000-
062	35B4782	BACK PANEL	01/03/2000-
063	35C2521	RH PANEL	01/03/2000-
064	3AQ0101	COMPON. PROTECTION	01/03/2000-
065	3033400	FILTER	01/03/2000-
066	35Q8391	PANEL BOARD	01/03/2000-
067	35Q2380	END RUN PROTECTION	01/03/2000-
069	35S5970	GUIDE CONTERWEIGHT	01/03/2000-
070	35S6082	FLAT BRACKET	01/03/2000-
071	35S2020	STIFFENING	01/03/2000-
072	35V8081	LAMPHOLDER SUPPORT	01/03/2000-
073	3152020	GASKET	01/03/2000-
074	33Q5921	CONNECTOR	01/03/2000-
075	32D0651	TERMINAL	01/03/2000-
076	32D0911	"OMEGA" BRACKET	01/03/2000-
077	35X0540	DRAIN PIPE	01/03/2000-
078	35X0550	PIPE	01/03/2000-
079	35Z2620	PIPE	01/03/2000-
080	36A3390	DRAIN TRAP	01/03/2000-
081	36A3400	DRAIN	01/03/2000-
083	32R6220	PROTECTION	01/03/2000-
084	3120080	STEEL WASHER	01/03/2000-
085	36G5320	SPRING	01/03/2000-
086	32D1540	FUSE TERMINAL 10x38	01/03/2000-
087	36G5380	COUNTERWEIGHT	01/03/2000-
088	36G6740	COUNTERWEIGHT	01/03/2000-
089	36G6040	END RUN PIN	01/03/2000-
091	36Q1171	LOCKNUT M16X1.5	01/03/2000-
092	37Q3011	GASKET	01/03/2000-
093	3151730	GASKET	01/03/2000-
094	37Q7840	GASKET	01/03/2000-
095	3AA1001	CONTROL BOARD ASS.Y	01/03/2000-
096	35V5212	LH FOOT HOLDER	01/03/2000-
097	30T6590	SMALL END SUPPORT	01/03/2000-
098	6300417	DOOR ASSEMBLY	01/03/2000-
099	35V9050	HANDLE SHAPED BAR	01/03/2000-
100	30G0401	DOOR ASS. Y	01/03/2000-
101	35G0360	OVEN COUNTER DOOR	01/03/2000-
103	35V4420	PLATE	01/03/2000-
104	36D8360	MICROSWITCH ROD	01/03/2000-
105	36M4122	DOOR HINGE	01/03/2000-
106	35Q2360	SUPP. END RUN PROTECTION	01/03/2000-
107	37M0250	CHAMBER GLASS ASS. Y	01/03/2000-

Pos	Code	Description	Info
108	37Q0972	DOOR GASKET	01/03/2000-
109	37Q2992	GASKET	01/03/2000-
110	35V0790	FLAT BRACKET	01/03/2000-
111	35V3290	SPILLAGE TRAY SUPPORT	01/03/2000-
112	35V8072	LAMP HOLDER BOX	01/03/2000-
113	35V9030	CHAMBER GLASS SUPP.	01/03/2000-
114	35X2900	DOOR DRAIN PIPE	01/03/2000-
115	36C0970	SPACER	01/03/2000-
116	36G7140	SPRING	01/03/2000-
117	37M4040	RATING INSERT	01/03/2000-
118	36M0820	LOCK HOUSING	01/03/2000-
119	3150790	THERMOSTAT	01/03/2000-
120	3170290	PROTECT. KNOB SPRING	01/03/2000-
121	32W2941	COMMUTATOR	01/03/2000-
122	6300446	PIN Ø 10 ASS. Y	01/03/2000-
123	32V1000	SAFETY THERMOSTAT	01/03/2000-
124	32Z5820	THERMOSTAT 50-250° C	01/03/2000-
125	37N0370	SILK-SCREEN PANEL BOARD	01/03/2000-
126	32Y0030	TIMER 0-120' 220/240V-50HZ	01/03/2000-
127	32Z6191	TEMP.PROBE PT100	01/03/2000-
128	32Y0060	BUZZER 50" 220V	01/03/2000-
129	32Z5880	THERMOSTAT 30-90°C	01/03/2000-
130	FCV101E-UL-Pos.13	PIN	01/03/2000-
131	36M4560	ELECTRIC CONTROL KNOB	01/03/2000-
132	33Q3210	PLUG	01/03/2000-
133	33Q5381	RING SUPPORT	01/03/2000-
134	33Q5390	"RING 3/4""	01/03/2000-
135	33Q4120	CONNECT. M16X1.1M10	01/03/2000-
136	33Q5610	RING M16X1.5	01/03/2000-
137	33Q5630	CONNECT MF 3/8"- M16	01/03/2000-
138	33Q5650	SOCKET F3/4 M1/2 Ø30X25	01/03/2000-
139	35S6361	L" SHAPED BAR	01/03/2000-
140	3FL0197	PLASTIC INSERT LOCK	01/03/2000-
141	36M0880	HANDLE	01/03/2000-
143	33Q5910	CONNECTOR Ø 0.6	01/03/2000-
144	3190040	SCREW M6X20	01/03/2000-
145	36M1570	LOCK SPACER	01/03/2000-
146	32V3020	PCB 208-240V	01/03/2000-
147	36Q0190	Cap Ø20	01/03/2000-
148	36Q0550	LOCK NUT M12X1.5	01/03/2000-
149	32V0730	FAIRLEAD Ø 12 Ø 29	01/03/2000-
150	32G0740	HEATING ELEMENT	01/03/2000-
150	32G1701	HEATING ELEMENT 16.4KW230V	01/03/2000-
151	35Q1450	HEAT ELEMENT BRACKET	01/03/2000-
152	36M6380	OVEN DOOR HANDLE	01/03/2000-
153	35S8850	"L" BRACKET	01/03/2000-
154	36D8492	FEELER SUPPORT	01/03/2000-
155	37Q3220	GASKET	01/03/2000-
156	32V1570	EL.MAGNETIC SWITCH 208-240V-50	01/03/2000-
157	36Q1320	PLUG	01/03/2000-
158	35Q6360	THERMORES. PROTECTION	01/03/2000-

Pos	Code	Description	Info
159	33Q6091	H2O FILTER 3/4"	01/03/2000-
160	6300420	LOCK ASS. Y	01/03/2000-
162	32Q5040	CABLES FCV 101E DM	01/03/2000-
163	36Q1550	CAP Ø11	01/03/2000-
164	3200330	FUSE 10,4 X 38 A	01/03/2000-
165	36C3071	M6 TRAY HOLDER PIN	18/11/2004-
166	35Y1170	LEFT TRAYS GUIDE	01/03/2000-
167	30T3790	RH FRAME ASS. Y	01/03/2000-
168	35Y0570	WATER ENTRY PROFILE	01/03/2000-