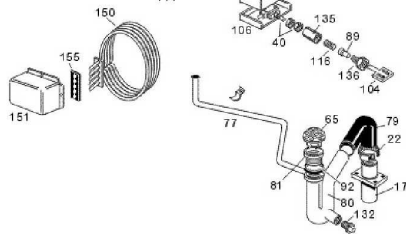
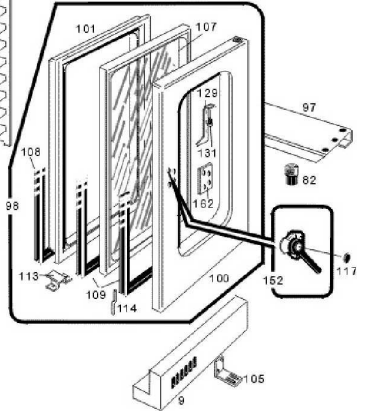
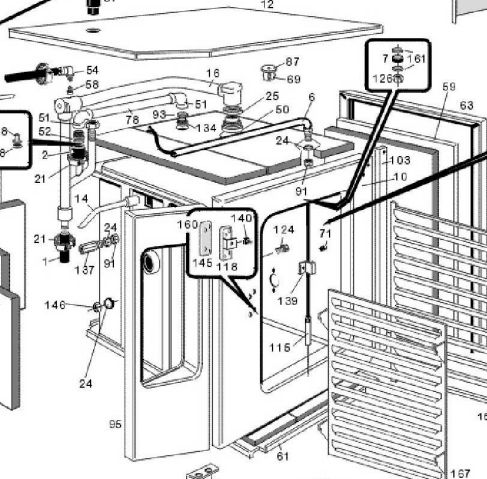
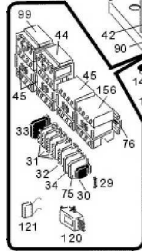
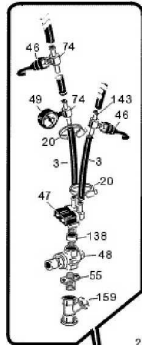
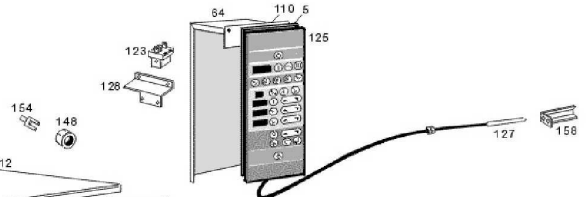
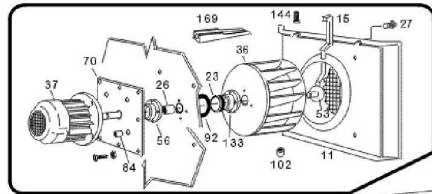




# **FCV101EDM**

**Edition 20141007-**



| Pos | Code    | Description                            | Info        |
|-----|---------|--|-------------|
| 001 | 111AA05 | RUBBER HOSE Ø30 Ø20                    | 01/03/1996- |
| 002 | 131AA23 | RUBBER HOSE Ø35 Ø28                    | 01/03/1996- |
| 003 | 131AA12 | RUBBER HOSE Ø17 Ø10 X H <sup>2</sup> O | 01/03/1996- |
| 004 | 3188650 | WASHER                                 | 23/11/2010- |
| 005 | 137AA15 | GASKET                                 | 01/03/1996- |
| 006 | 30Z0990 | PROBE PIPE ASS. Y                      | 01/03/1996- |
| 007 | 3150220 | GASKET                                 | 01/03/1996- |
| 008 | 35C3691 | LH PANEL ASS.Y                         | 22/01/1998- |
| 009 | 30W3281 | TRAY ASS.Y                             | 17/03/1999- |
| 010 | 30D5820 | COOKING CHAMBER                        | 01/06/1998- |
| 011 | 35Y0580 | CHAMBER AIR GUIDE                      | 01/06/1998- |
| 012 | 30G2910 | OVEN COVER ASS. Y                      | 01/03/1996- |
| 014 | 30Z2050 | PIPE AISI304 Ø12- 159X77               | 01/06/1998- |
| 015 | 30Z2060 | END PIPE, COMPLETE                     | 01/06/1998- |
| 016 | 30Z7691 | STEAM DRAIN PIPE ASS.Y                 | 01/03/1996- |
| 017 | 33Q6100 | LOWER DRAIN PIPE                       | 01/03/1996- |
| 018 | 36G6750 | RING NUT                               | 01/03/1996- |
| 019 | 3140300 | HOSE CLAMP                             | 10/01/1997- |
| 020 | 3140230 | 12/20 PIPE CLAMP                       | 01/03/1996- |
| 021 | 3140300 | HOSE CLAMP                             | 01/03/1996- |
| 022 | 3140380 | HOSE CLAMP                             | 01/03/1996- |
| 023 | 3150900 | GASKET                                 | 01/03/1996- |
| 024 | 3151441 | WASHER                                 | 14/10/1998- |
| 025 | 3151450 | Ø22 Ø16.2=1.5 CU WASHER                | 01/03/1996- |
| 026 | 3151490 | BEARING                                | 01/03/1996- |
| 027 | 3190020 | SCREW M6X10                            | 01/03/1996- |
| 028 | 3170110 | ACCOMODATION Ø6                        | 01/03/1996- |
| 029 | 3201540 | FUSE 5X20                              | 01/03/1996- |
| 030 | 32D0870 | TERMINAL CLAMP                         | 01/03/1996- |
| 031 | 32D0950 | LIVE TERMINAL                          | 01/03/1996- |
| 032 | 32D0970 | GROUND TERMINAL                        | 01/03/1996- |
| 033 | 32D0960 | TERMINAL END COVER                     | 01/03/1996- |
| 034 | 32D1730 | FUSE TERMINAL BOARD                    | 24/01/2002- |
| 035 | 31X0170 | PIN FT Ø6                              | 01/03/1996- |
| 036 | 32M2561 | FAN Ø335                               | 09/06/1998- |
| 037 | 32M3880 | MOTOR                                  | 01/03/1996- |
| 038 | 32W0210 | OVEN LAMP 25 W                         | 01/03/1996- |
| 039 | 32W2561 | LAMP HOLDER                            | 01/03/1996- |
| 040 | 32W3340 | MICROSWITCH                            | 14/11/1999- |
| 041 | 6300645 | GLASS + WASHER                         | 04/08/2004- |
| 042 | 32X0120 | GROMMET Ø 21                           | 01/03/1996- |
| 043 | 32X0130 | GROMMET Ø29-Ø37                        | 01/03/1996- |
| 044 | 32V1010 | RELAY                                  | 08/04/1998- |
| 045 | 3005180 | RELAY 240V-50/60HZ                     | 21/01/2003- |
| 045 | 3100910 | RELAY 220/230V- 50/60Hz                | 01/01/2008- |
| 045 | 3100910 | RELAY 220/230V- 50/60Hz                | 01/01/2008- |
| 046 | 3041830 | PRESSURESTAT                           | 30/09/2004- |
| 047 | 33D2410 | "SOLENOID VALVE 3/4"" 1IN-2OUT"        | 10/05/1999- |
| 048 | 33D1650 | "PRES. REDUC. VAL. F-F Ø 1/2"""        | 01/03/1996- |
| 049 | 33D1680 | MANOMETRE 0-40BAR M1/8                 | 01/03/1996- |
| 050 | 33Q5410 | VALVE CONNECTOR                        | 01/03/1996- |

| Pos | Code    | Description              | Info        |
|-----|---------|--------------------------|-------------|
| 051 | 33Q5420 | "ELBOW FF 3/4""          | 01/03/1996- |
| 052 | 33Q5450 | DEPRES. CONNECTOR        | 01/03/1996- |
| 053 | 30Z0480 | WATER DIFFUSER           | 01/03/1996- |
| 054 | 33Q5592 | NOZZLE SUPPORT. ELBOW    | 01/03/1996- |
| 055 | 33Q5641 | ENTRY CONNECTOR H2O      | 01/03/1996- |
| 056 | 33Q5690 | H2O BUSHING SUPPORT      | 01/03/1996- |
| 057 | 33Q5980 | SOUND REDUC. CONNECTOR   | 01/03/1996- |
| 058 | 33T3720 | NOZZLE                   | 01/03/1996- |
| 059 | 35C2670 | INSULATION PANEL COVER   | 01/03/1996- |
| 060 | 35B4760 | INS. PANEL COVERING      | 01/03/1996- |
| 061 | 35B4821 | INSULATION PANEL         | 01/03/1996- |
| 062 | 35B4782 | COVER BACK PANEL         | 01/03/1996- |
| 063 | 35C2521 | RH PANEL                 | 01/03/1996- |
| 064 | 3AQ0100 | COMPON.                  | 01/03/1996- |
| 065 | 3033400 | PROTECTION FILTER        | 01/03/1996- |
| 066 | 35Q8391 | PANEL BOARD              | 03/12/1999- |
| 067 | 35Q2380 | END RUN PROTECTION       | 01/03/1996- |
| 070 | 35S6082 | FLAT BRACKET             | 21/05/1996- |
| 072 | 35V8081 | LAMPHOLDER SUPPORT       | 01/03/1996- |
| 073 | 32D0260 | LOCK NUT PG29            | 01/03/1996- |
| 074 | 33Q5921 | CONNECTOR                | 01/03/1996- |
| 075 | 32D1740 | TERMINAL                 | 24/01/2002- |
| 076 | 32D0911 | "OMEGA" BRACKET          | 01/03/1996- |
| 077 | 35X0540 | DRAIN PIPE               | 01/03/1996- |
| 078 | 35X0550 | PIPE                     | 01/03/1996- |
| 079 | 33M1170 | PIPE                     | 01/02/1998- |
| 080 | 36A3390 | DRAIN TRAP               | 01/03/1996- |
| 081 | 36A3400 | DRAIN                    | 01/03/1996- |
| 082 | 36D5732 | FOOT                     | 13/03/2009- |
| 084 | 36D7140 | BUSHING                  | 01/03/1996- |
| 085 | 36G5320 | SPRING                   | 01/03/1996- |
| 087 | 6300591 | VALVE                    | 31/12/2005- |
| 088 | 36G6740 | COUNTERWEIGHT            | 01/03/1996- |
| 089 | 36G6041 | END RUN PIN              | 20/01/2000- |
| 090 | 32X0140 | GROMMET Ø13,5-Ø25        | 01/03/1996- |
| 091 | 36Q1171 | LOCKNUT M16X1.5          | 01/03/1996- |
| 092 | 37Q3011 | GASKET                   | 01/03/1996- |
| 093 | 3151730 | GASKET                   | 01/03/1996- |
| 094 | 37Q7840 | GASKET                   | 01/03/1996- |
| 095 | 3AA1001 | CONTROL BOARD ASS.Y      | 01/03/1996- |
| 096 | 35V5212 | LH FOOT HOLDER           | 01/03/1996- |
| 097 | 30T6590 | SMALL END SUPPORT        | 01/03/1996- |
| 098 | 6300429 | OVEN DOOR ASS. Y         | 01/03/1996- |
| 099 | 32V1030 | RELAY 0.3-0.5 A          | 08/04/1998- |
| 100 | 30G0401 | DOOR ASS. Y              | 01/03/1996- |
| 101 | 35G0360 | OVEN COUNTER DOOR        | 01/03/1996- |
| 103 | 35V4420 | PLATE                    | 01/03/1996- |
| 104 | 36D8360 | MICROSWITCH ROD          | 01/03/1996- |
| 105 | 36M4122 | DOOR HINGE               | 01/03/1996- |
| 106 | 35Q2360 | SUPP. END RUN PROTECTION | 01/03/1996- |
| 107 | 37M0250 | CHAMBER GLASS ASS. Y     | 01/03/1996- |

| Pos | Code    | Description                | Info        |
|-----|---------|----------------------------|-------------|
| 108 | 37Q0972 | DOOR GASKET                | 23/03/1999- |
| 109 | 37Q2992 | GASKET                     | 10/03/1999- |
| 110 | 35V0790 | FLAT BRACKET               | 01/03/1996- |
| 111 | 35V3290 | SPILLAGE TRAY SUPPORT      | 01/03/1996- |
| 112 | 35V8072 | LAMP HOLDER BOX            | 01/03/1996- |
| 113 | 35V9030 | CHAMBER GLASS SUPP.        | 01/03/1996- |
| 114 | 35X2900 | DOOR DRAIN PIPE            | 01/03/1996- |
| 115 | 32Z1983 | PIN PROBE PT100            | 08/03/1999- |
| 116 | 36G7140 | SPRING                     | 01/03/1996- |
| 118 | 36M0820 | LOCK HOUSING               | 01/03/1996- |
| 119 | 32Z6041 | PT100 PROBE                | 01/03/1996- |
| 120 | 32Z6090 | FILTER                     | 01/03/1996- |
| 121 | 32Z6100 | FILTER                     | 01/03/1996- |
| 123 | 3111950 | SAFETY THERMOSTAT          | 29/10/2008- |
| 124 | 33Q0530 | CAP M. 3/8                 | 01/03/1996- |
| 125 | 32Z6813 | SCHEDA ELETTRONICA         | 31/01/2003- |
| 126 | 33Q0730 | CONNECT.                   | 01/03/1996- |
| 127 | 32Z6191 | TEMP.PROBE PT100           | 01/03/1996- |
| 128 | 35S2930 | "L" BRACKET                | 01/03/1996- |
| 129 | 35V8590 | PROBE SUPPORT              | 01/03/1996- |
| 130 | 36D7062 | PIN                        | 07/10/2014- |
| 131 | 36C1380 | BUSHING PROTECT. PROBE     | 01/03/1996- |
| 132 | 33Q3210 | PLUG                       | 01/03/1996- |
| 133 | 33Q5381 | RING SUPPORT               | 01/03/1996- |
| 134 | 33Q5390 | "RING 3/4""                | 01/03/1996- |
| 135 | 33Q4120 | CONNECT. M16X1.1M10        | 14/11/1999- |
| 136 | 33Q5610 | RING M16X1.5               | 01/03/1996- |
| 137 | 33Q5630 | CONNECT MF 3/8"- M16       | 01/03/1996- |
| 138 | 33Q5650 | SOCKET F3/4 M1/2 Ø30X25    | 01/03/1996- |
| 139 | 35Y0690 | CABLE CLAMP                | 01/06/1998- |
| 140 | 36E2530 | PLASTIC INSERT LOCK        | 01/03/1996- |
| 143 | 33Q5910 | CONNECTOR Ø 0.6            | 01/03/1996- |
| 144 | 3190040 | SCREW M6X20                | 01/03/1996- |
| 145 | 36M1570 | LOCK SPACER                | 01/03/1996- |
| 146 | 36Q1110 | LOCK NUT 3/8"              | 01/03/1996- |
| 147 | 36Q0190 | Cap Ø20                    | 01/03/1996- |
| 148 | 36Q0550 | LOCK NUT M12X1.5           | 01/03/1996- |
| 149 | 32D0210 | FAIRLED                    | 01/03/1996- |
| 150 | 32G1701 | HEATING ELEMENT 16.4KW230V | 01/03/1996- |
| 151 | 35Q1450 | HEAT ELEMENT BRACKET       | 01/03/1996- |
| 152 | 36M6380 | OVEN DOOR HANDLE           | 05/05/1999- |
| 153 | 35S8850 | "L" BRACKET                | 01/03/1996- |
| 154 | 36D8492 | FEELER SUPPORT             | 01/03/1996- |
| 155 | 37Q3220 | GASKET                     | 01/03/1996- |
| 156 | 32Z3361 | RELAY 220V-50/60HZ         | 01/03/1996- |
| 156 | 32Z3511 | RELAY 230V-50HZ            | 01/03/1996- |
| 156 | 32Z5990 | RELAY 240V-50HZ            | 01/03/1996- |
| 157 | 36Q1320 | PLUG                       | 01/03/1996- |
| 158 | 35Q6360 | THERMORES. PROTECTION      | 01/03/1996- |
| 159 | 33Q6091 | H2O FILTER 3/4"            | 01/03/1996- |
| 160 | 6300420 | LOCK ASS. Y                | 01/03/1996- |

| Pos | Code    | Description                          | Info        |
|-----|---------|--------------------------------------|-------------|
| 161 | 3120100 | WASHER                               | 01/03/1996- |
| 162 | 35V9050 | HANDLE SHAPED BAR                    | 01/03/1996- |
| 163 | 32Q3710 | EL. CABLES EDM                       | 01/03/1996- |
| 164 | 32Q3690 | CABLES                               | 01/03/1996- |
| 165 | 36Q1550 | FCV101E/EDS/EDM CAP Ø11              | 22/01/1998- |
| 166 | 36C3071 | M6 TRAY HOLDER PIN                   | 18/11/2004- |
| 167 | 35Y0530 | LEFT TRAY GUIDE                      | 01/06/1998- |
| 168 | 30T3370 | RIGHT TRAYS GUIDE ASSEMBLY           | 01/06/1998- |
| 169 | 35Y0570 | WATER ENTRY PROFILE                  | 01/06/1998- |
| 170 | 3152360 | WASHER 3/8" 3/8" Ø22-Ø17.2=1.5 CU/NI | 14/10/1998- |