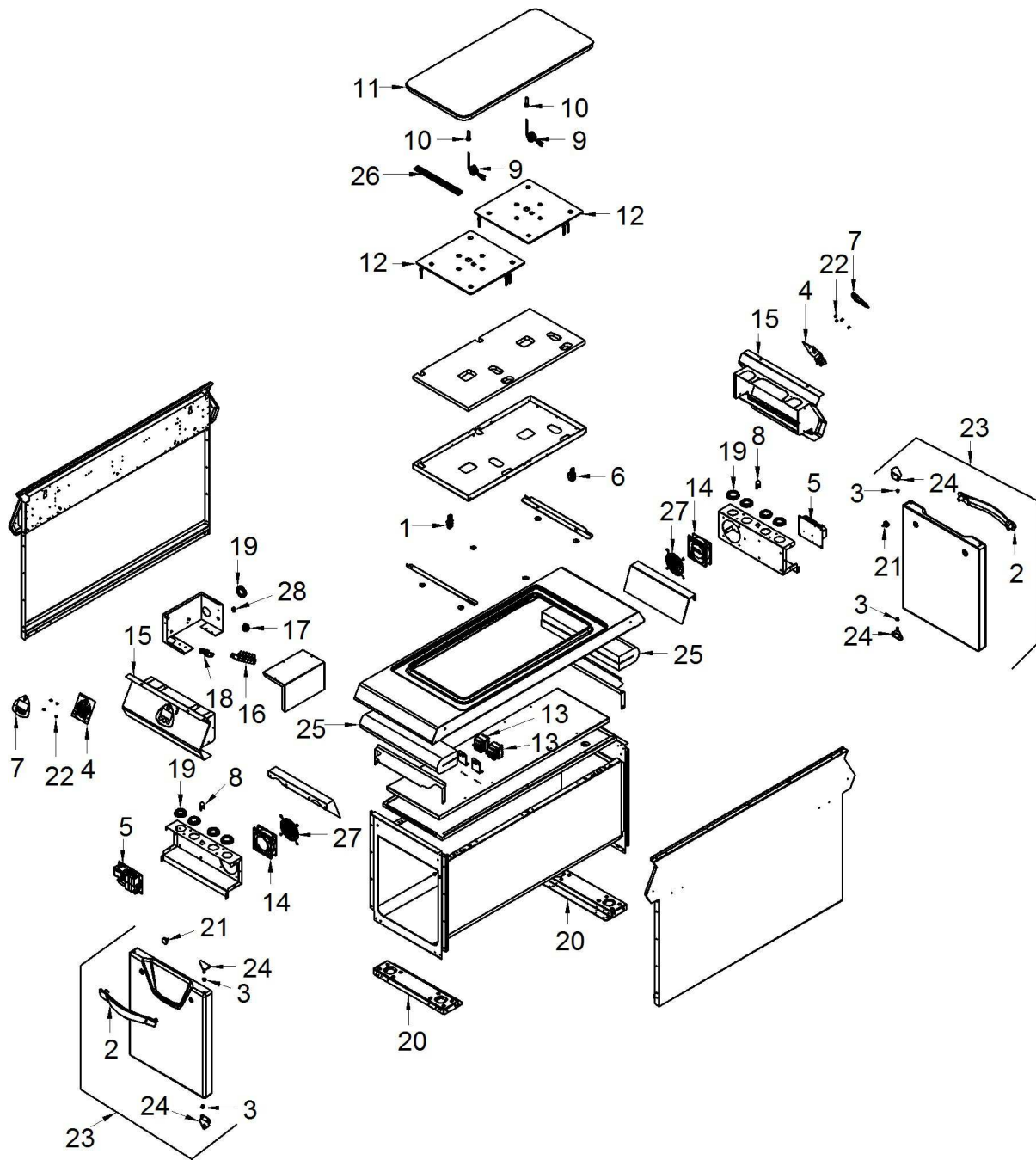




04WPEBV

Edition 20131004-



| Pos | Code | Description | Info |
|-----|---------|--------------------------|-------------|
| 001 | 3100400 | 6-POLE CONNECTOR | 01/07/2008- |
| 002 | 3010573 | HANDLE | 04/10/2013- |
| 003 | 3011000 | BUSHING | 01/07/2008- |
| 004 | 3072890 | KEYBOARD | 01/07/2008- |
| 005 | 3076840 | ELECTRONIC CONTROL | 01/07/2008- |
| 006 | 3081120 | 9-POLE CONNECTOR | 01/07/2008- |
| 007 | 3087960 | DASHBOARD | 01/07/2008- |
| 008 | 3093940 | ELECTRIC THERMOSTAT 50 C | 01/07/2008- |
| 009 | 3104950 | TEMP. PROBE | 01/07/2008- |
| 010 | 3107530 | PROBE STOPPER | 01/07/2008- |
| 011 | 3109590 | PLATE | 01/07/2008- |
| 012 | 3148470 | HEATING EL. 3000W 230 V | 15/10/2009- |
| 013 | 3110640 | SAFETY THERMOSTAT | 01/07/2008- |
| 014 | 3076620 | DRIVEN FAN | 01/07/2008- |
| 015 | 3168060 | UPPER CONTROL BOARD | 15/10/2009- |
| 016 | 32D0251 | TERMINAL BOARD | 01/07/2008- |
| 017 | 32D1450 | TERMINAL | 01/07/2008- |
| 018 | 32D1820 | CABLE CLAMP | 15/10/2009- |
| 019 | 32X0130 | GROMMET Ø29-Ø37 | 15/10/2009- |
| 020 | 35R1452 | PROFILE OMEGA | 01/07/2008- |
| 021 | 3600090 | MAGNET PLATE | 01/07/2008- |
| 022 | 36C0970 | SPACER | 01/07/2008- |
| 023 | 6029880 | DOOR ASS.Y | 20/06/2012- |
| 024 | 6029110 | HINGE ASSEMBLY | 19/05/2010- |
| 025 | 3066860 | INSULANTING PANEL | 01/07/2008- |
| 026 | 3133000 | FEELER SUPPORT | 13/01/2009- |
| 027 | 3148060 | PROTECT GRID | 15/10/2009- |
| 028 | 32X0200 | GROMMET Ø7.5-Ø11.5 | 15/10/2009- |