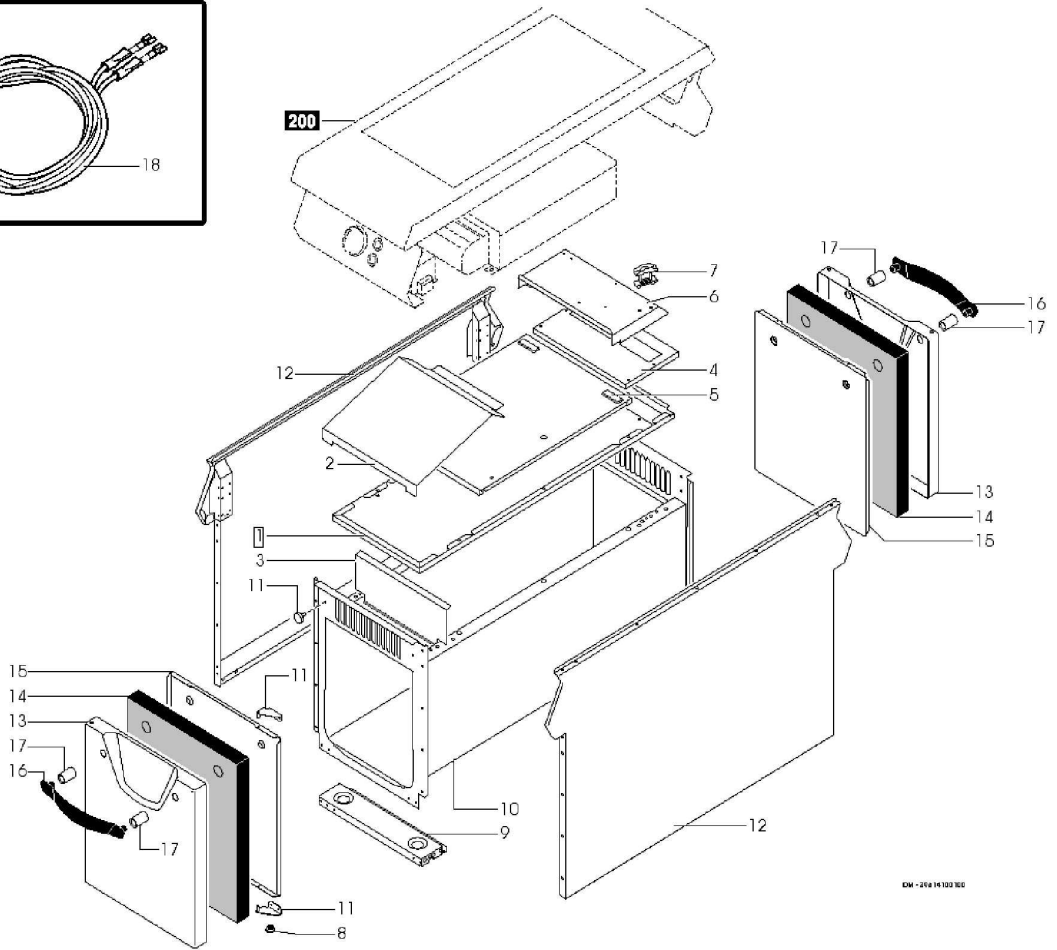
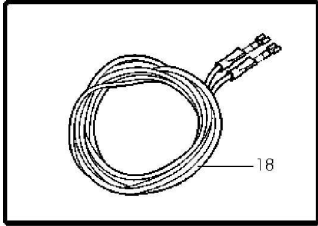


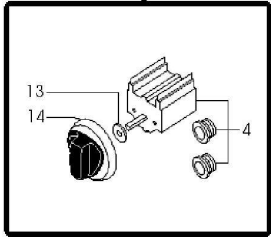
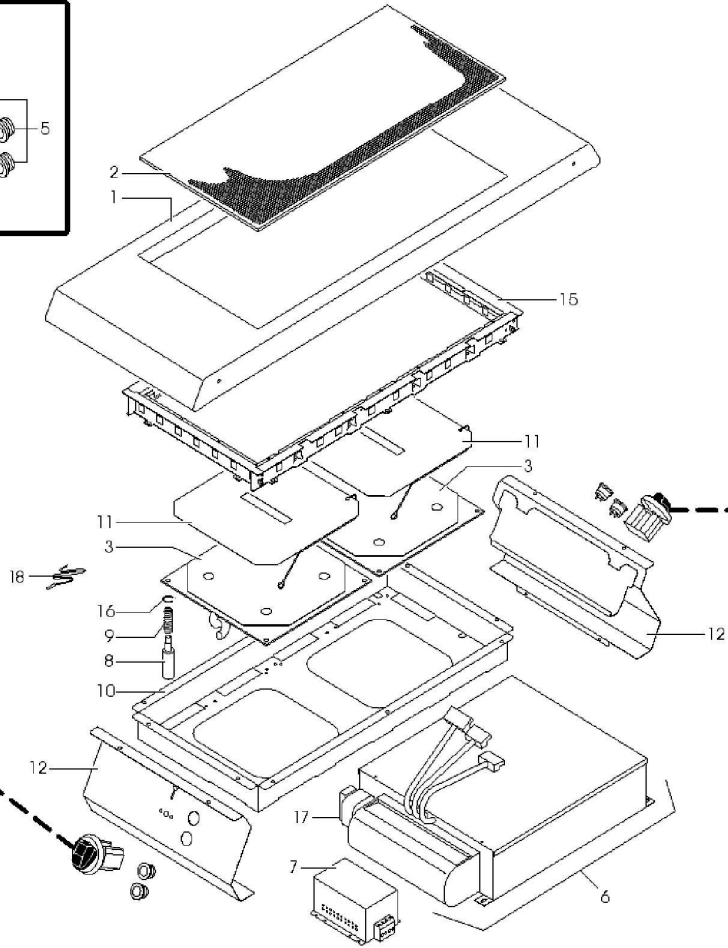
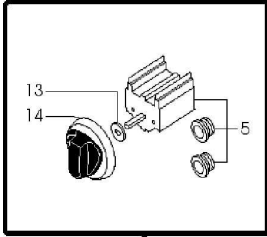


04WVT1IV

Edition 20131004-



DM-20814 100 800



Page	Pos	Code	Description	Info
002	001	3030980	CUP BOARD CEILING	08/11/2004-
002	002	3017350	AIR CONVEYOR	08/11/2004-
002	003	3017330	PROTECTION	08/11/2004-
002	004	3017320	SUPPORT	08/11/2004-
002	005	3017380	SUPPORT	08/11/2004-
002	006	3030950	AIR CONVEYOR	08/11/2004-
002	007	32D1820	CABLE CLAMP	08/11/2004-
002	008	3011000	BUSHING	08/11/2004-
002	009	35R1452	PROFILE OMEGA	08/11/2004-
002	010	3017420	UNDERCOMPARTMENT	08/11/2004-
002	011	6029110	HINGE ASSEMBLY	19/05/2010-
002	012	3030800	PANEL	08/11/2004-
002	013	3177270	OVAL DOOR	19/05/2010-
002	014	3011060	INSULANTING PANEL	08/11/2004-
002	015	3010510	COUNTER DOOR	08/11/2004-
002	016	3010573	HANDLE	04/10/2013-
002	017	3011050	SPACER	08/11/2004-
002	018	3009720	EL. CABLES	08/11/2004-
002	200	M023491	M.TOP	08/11/2004-
003	001	3016500	HOB	08/11/2004-
003	002	36A5420	GLASS FOR INDUCTION HOB	08/11/2004-
003	003	3039290	5 Kw INDUCTOR 400V/3/50Hz	08/11/2004-
003	004	3037910	COMMUTATOR 8 POS. + PILOT LIGH	08/11/2004-
003	005	3037920	COMMUTATOR 10 POS. + PILOT LIG	08/11/2004-
003	006	3001250	INDUCTION GENERATOR 5+5KW	08/11/2004-
003	007	3037840	400V FILTER	08/11/2004-
003	008	33Q5000	SUPPORT	08/11/2004-
003	009	3007410	TORSION SPRING	08/11/2004-
003	010	3033110	INDUCTION STRUCTURE	08/11/2004-
003	011	3001320	FILTER	08/11/2004-
003	012	3030821	UPPER CONTROL BOARD	08/11/2004-
003	013	3152240	THERMOSTAT PROTECT.	08/11/2004-
003	014	3015991	HANDLE	14/03/2008-
003	015	3033101	SUPPORT	02/12/2011-
003	016	3120460	SEAL RING	08/11/2004-
003	017	3023200	TANGENTIAL FAN	08/11/2004-
003	018	6300774	TEMP.PROBE PT1000 + TAPE FOR FIXING	08/11/2004-