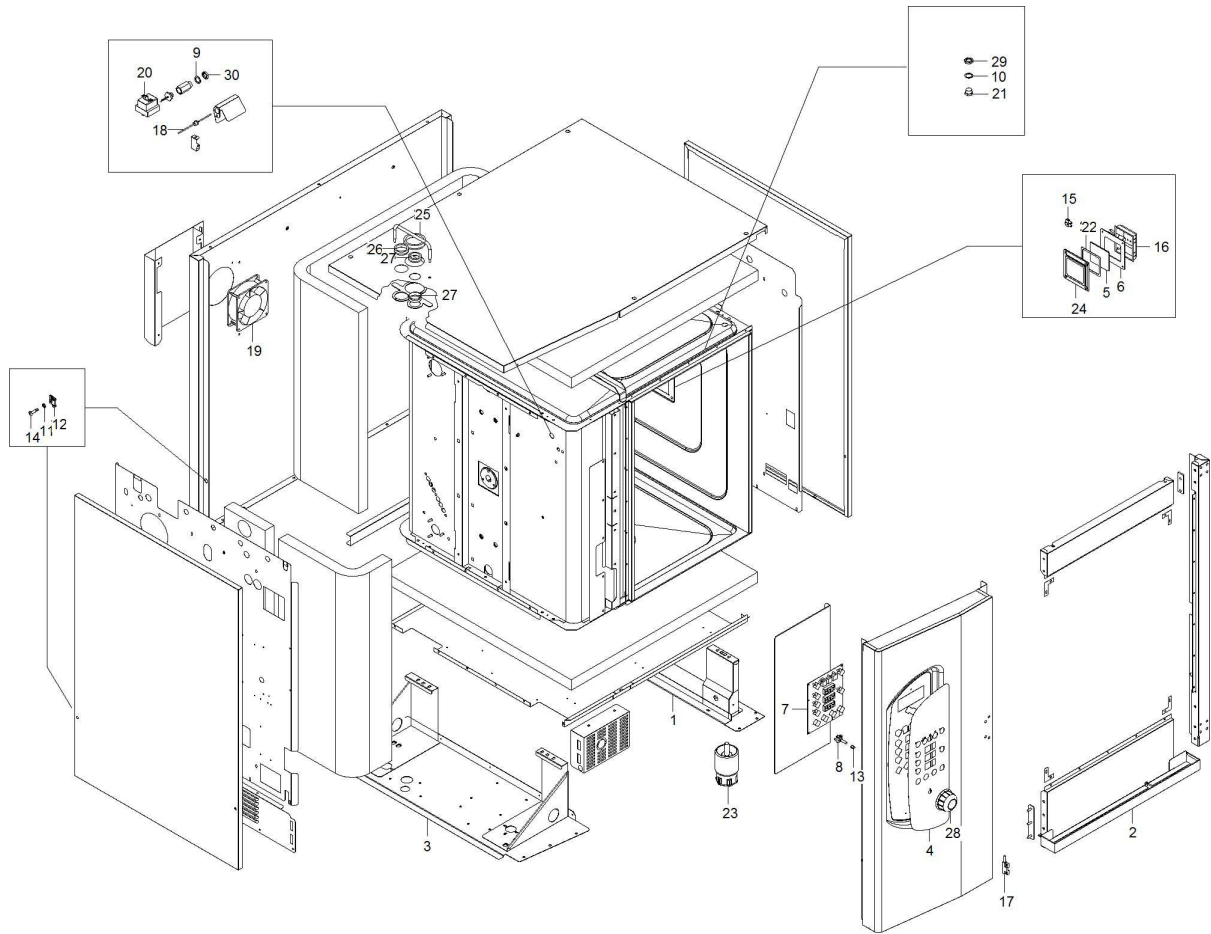
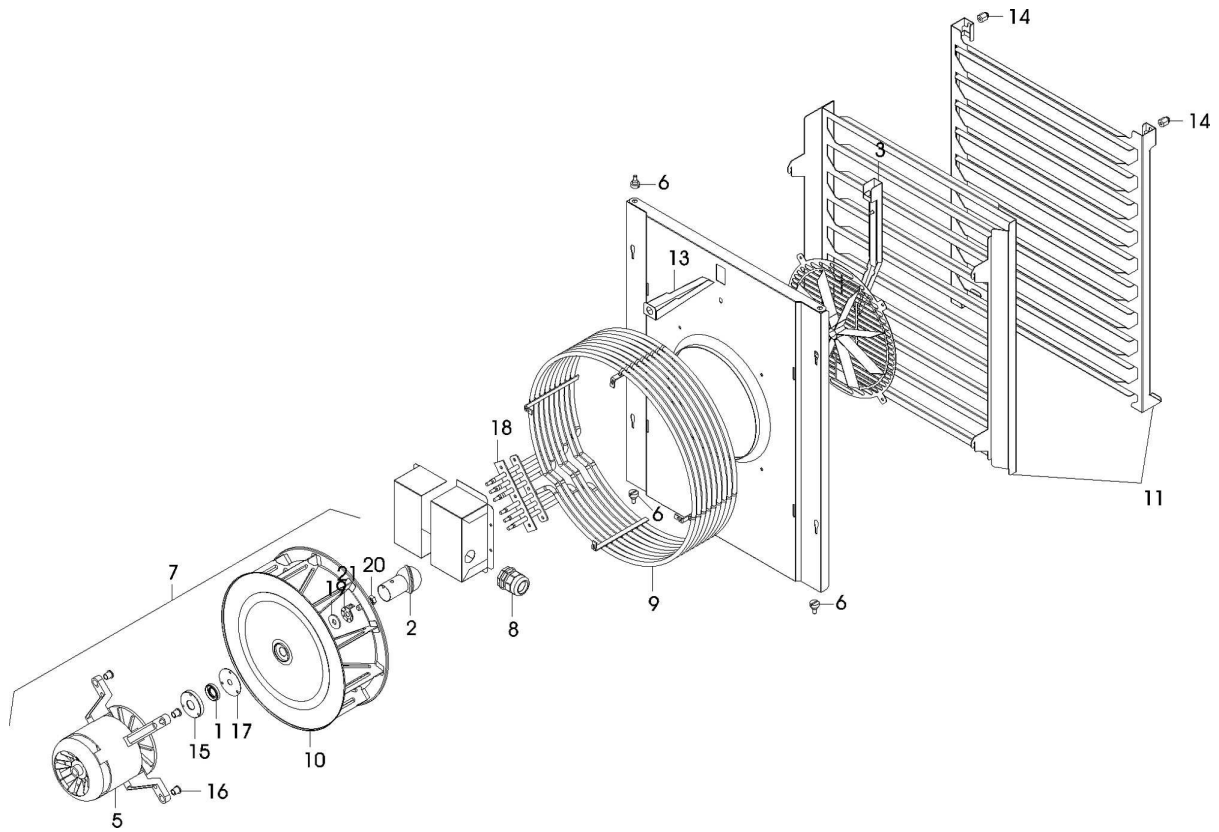


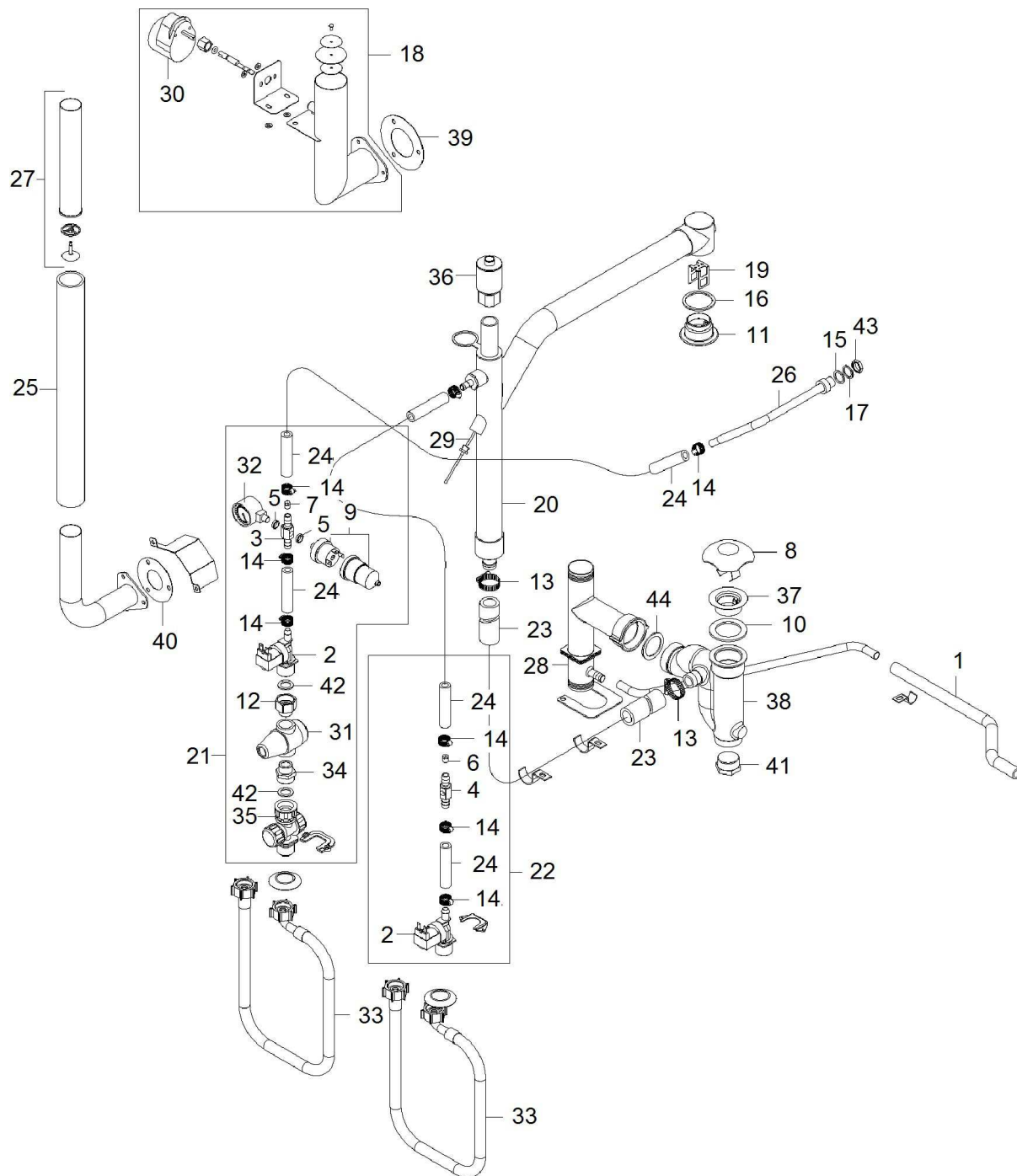


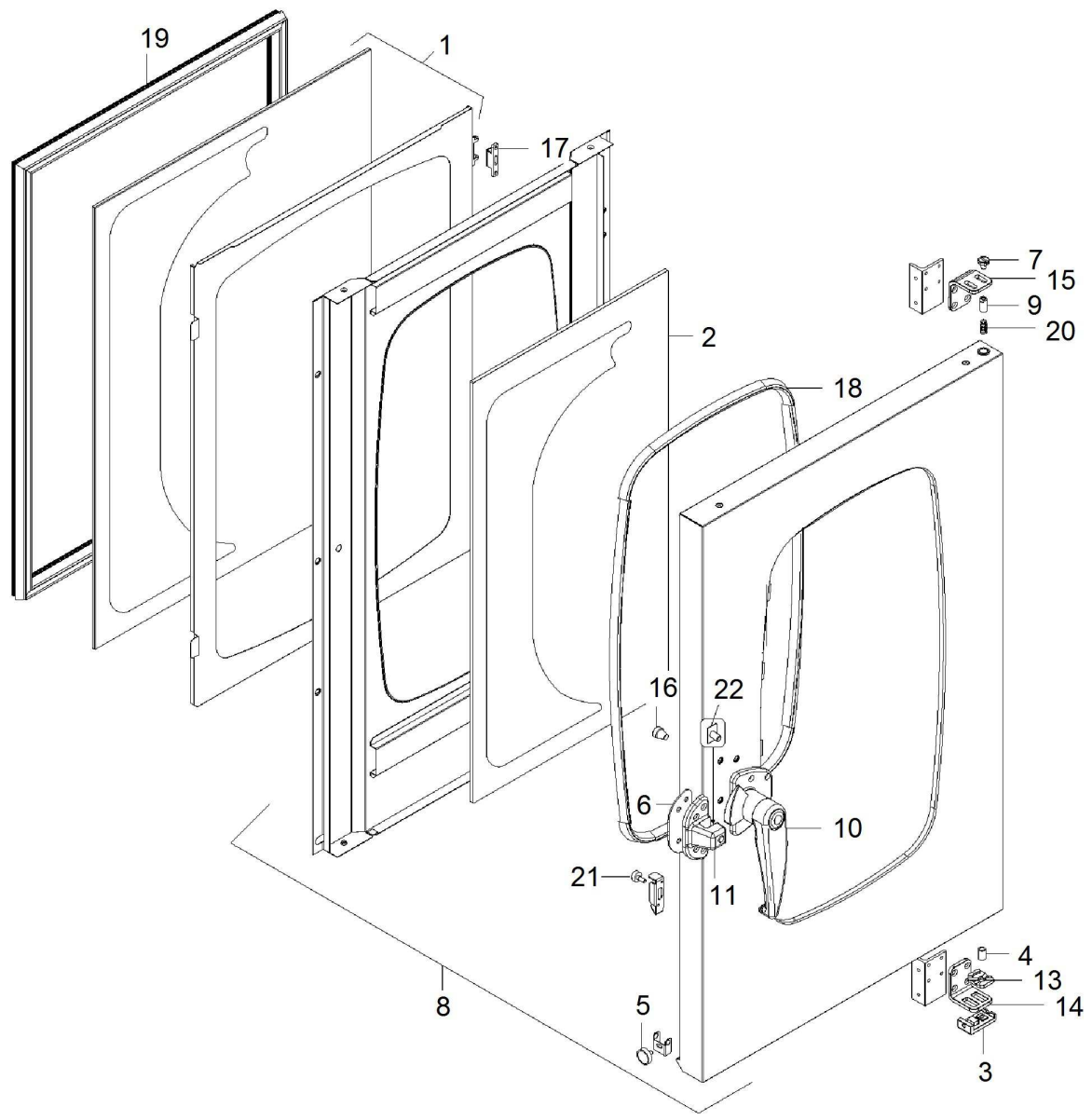
**FM1011E1-
VERS.2006**

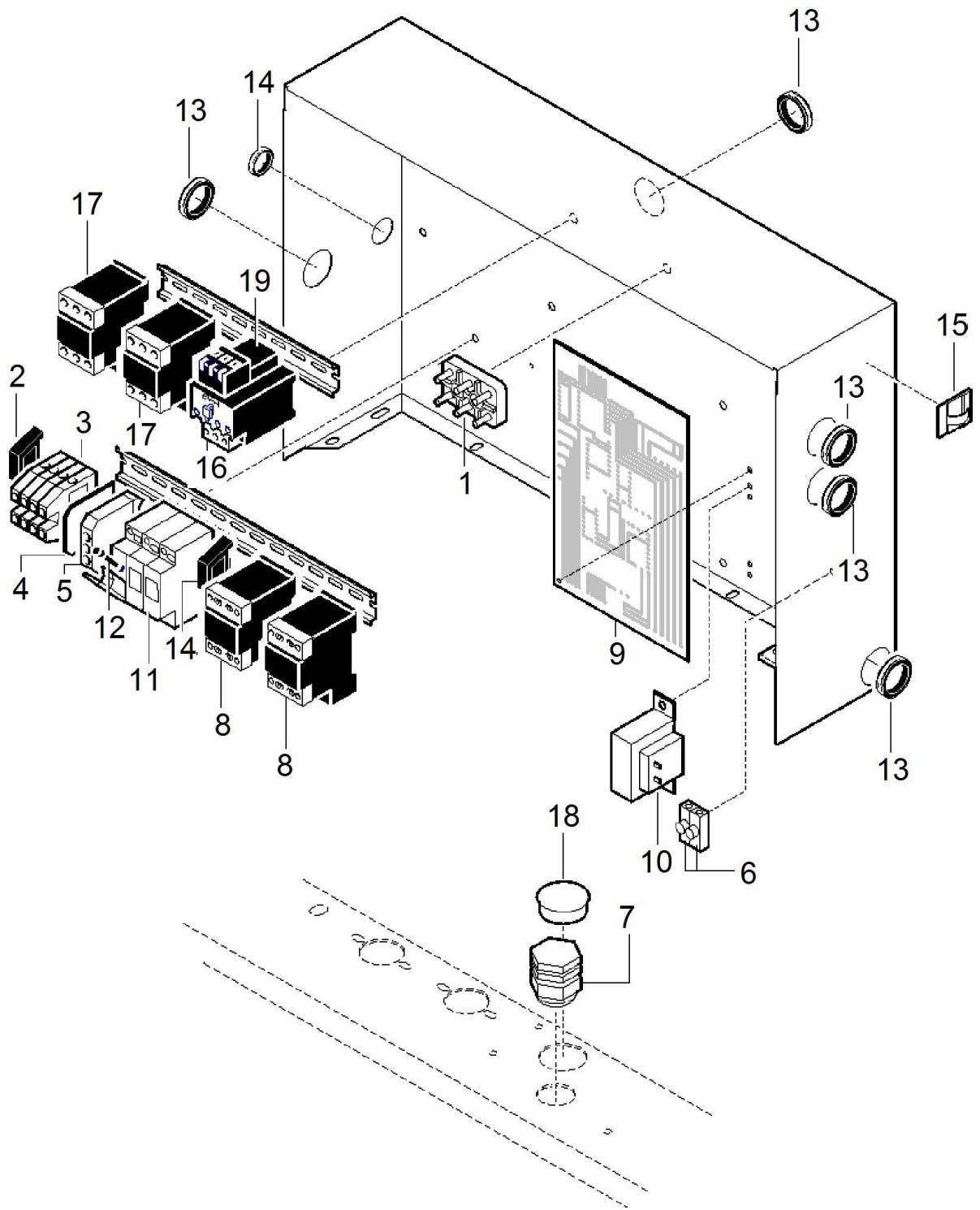
Edition 20150213-











Page	Pos	Code	Description	Info
002	001	3000531	RH FOOT HOLDER	01/01/2006-
002	002	3076940	TRAY ASS.Y	13/07/2006-
002	003	3031841	LH FOOT HOLDER	01/01/2006-
002	004	3125011	LEVEL 1-2 DASHBOARD	09/05/2008-
002	005	3036962	GLASS	07/08/2012-
002	006	36E3170	LAMP GASKET	01/01/2006-
002	007	3146492	PCB	02/03/2009-
002	008	3051070	ENCODER PIN ϕ 6-4.5	01/01/2006-
002	009	3151441	WASHER ϕ 22 ϕ 16.2=1.5 CU	01/01/2006-
002	010	3152360	WASHER 3/8" 3/8" ϕ 22- ϕ 17.2=1.5 CU/NI	01/01/2006-
002	011	3188650	WASHER	23/11/2010-
002	012	3170110	ACCOMODATION ϕ 6	01/01/2006-
002	013	3170290	KNOB SPRING	01/01/2006-
002	014	31X0170	PIN FT ϕ 6	01/01/2006-
002	015	32D1450	TERMINAL	01/01/2006-
002	016	32V5570	LAMP, COMPLETE	01/01/2006-
002	017	32V5740	MAGNETIC MICROSWITCH	01/01/2006-
002	018	32V5750	THERMAL RESISTOR, PT1000	01/01/2006-
002	019	32V5790	FAN 20W 120mm	21/02/2013-
002	020	3111950	SAFETY THERMOSTAT	29/10/2008-
002	021	33Q0530	CAP M. 3/8	01/01/2006-
002	023	36D5732	FOOT	13/03/2009-
002	024	3278370	LAMP GUARD	14/01/2015-
002	025	36E3550	WASHER	01/01/2006-
002	026	36E3560	WASHER	01/01/2006-
002	027	36E3790	WASHER	01/01/2006-
002	028	36H0901	ENCODER KNOB	01/01/2006-
002	029	36Q1110	LOCK NUT 3/8"	01/01/2006-
002	030	36Q1171	LOCKNUT M16X1.5	01/01/2006-
003	001	3004400	GASKET	01/01/2006-
003	002	3004791	DIFFUSER	01/01/2006-
003	003	3009711	END PIPE, COMPLETE	01/01/2006-
003	005	32M6722	MOTOR LEVEL 1-2	01/01/2006-
003	006	3084430	SCREW TE M6 ϕ 16x23	04/12/2006-
003	007	6018950	MOTOR ASS.Y	01/01/2006-
003	008	32D1780	FAIRLEAD	01/01/2006-
003	009	32G1701	HEATING ELEMENT 16.4KW230V	01/01/2006-
003	010	32M6751	FAN	01/01/2006-
003	011	6300829	PAIR OF POLISHED TRAY HOLDERS	01/01/2006-
003	011	6300864	PAIR OF TRAY HOLDERS	01/01/2006-
003	013	35Y0570	WATER ENTRY PROFILE	01/01/2006-
003	014	3278380	M6 TRAY HOLDER PIN	11/02/2015-
003	015	36E3160	RING GASKET SUPPORT	01/01/2006-
003	016	36H0890	BUSHING	01/01/2006-
003	017	37Q0250	GASKET	01/01/2006-
003	018	37Q3220	GASKET	01/01/2006-
003	019	3014810	WASHER ϕ 30 ϕ 10.5=2.5	01/01/2006-
003	020	3016470	SCREW M10X35	01/01/2006-
003	021	3019001	WASHER	01/01/2006-
004	001	3016270	MESH-REINFORCED PVC HOSE ϕ 12	01/01/2006-
004	002	3032680	"SOLENOID VALVE 3/4"" 1IN-1OUT"	01/01/2006-

Page	Pos	Code	Description	Info
004	003	3032880	CONNECTOR	01/01/2006-
004	004	3032890	CONNECTOR	01/01/2006-
004	005	3032900	SPACER	01/01/2006-
004	006	3032920	JET Ø 1.85	01/01/2006-
004	007	3032940	JET	01/01/2006-
004	008	3278360	FILTER	13/02/2015-
004	009	3041830	PRESSURESTAT	01/01/2006-
004	010	3045960	GASKET	01/01/2006-
004	011	3051330	VALVE CONNECTOR	01/01/2006-
004	012	3051370	SLEEVE F3/4 M1/2	01/01/2006-
004	013	3140220	PIPE CLAMP	01/01/2006-
004	014	3140230	12/20 PIPE CLAMP	01/01/2006-
004	015	3151441	WASHER Ø22Ø16.2=1.5 CU	01/01/2006-
004	016	3151450	WASHER	01/01/2006-
004	017	3152360	WASHER 3/8" 3/8" Ø22-Ø17.2=1.5 CU/NI	01/01/2006-
004	018	6002600	BUTTERFLY VALVE UNIT	01/01/2006-
004	019	6002930	COUNTERWEIGHT, SINGLE	01/01/2006-
004	020	6014591	CONDENSATION DRAIN UNIT	15/09/2009-
004	021	6019290	WATER INTAKE UNIT	01/01/2006-
004	022	6020080	WATER INTAKE UNIT	01/01/2006-
004	023	111AA05	RUBBER HOSE Ø30 Ø20	01/01/2006-
004	024	131AA12	RUBBER HOSEØ17Ø10 X H²O	01/01/2006-
004	025	131AA29	RUBBER HOSE	01/01/2006-
004	026	3022050	PIPE AISI304 Ø12- 159X77	01/01/2006-
004	027	6002920	EXTRACTION UNIT	01/01/2006-
004	028	3023011	WASTE PIPE	01/01/2006-
004	029	32V5760	THERMAL RESISTOR, PT1000	01/01/2006-
004	030	32V5780	CYCLE PROGRAMMER	01/01/2006-
004	031	33D1650	"PRES. REDUC. VAL. F-F Ø 1/2""	01/01/2006-
004	032	33D1680	MANOMETRE 0-40BAR M1/8	01/01/2006-
004	033	33M0350	PIPE	01/01/2006-
004	034	33Q2500	NIPPLE 1/2"-3/4"	01/01/2006-
004	035	33Q4860	H2O FILTER	01/01/2006-
004	036	33Q5980	SOUND REDUC. CONNECTOR	01/01/2006-
004	037	36A3401		04/12/2013-
004	038	36A5020	DRAIN TRAP	01/01/2006-
004	039	36E2990	BUTTERFLY VALVE GASKET	01/01/2006-
004	040	36E3010	EXTRACTION GASKET	01/01/2006-
004	041	36E3040	"M""1"" PLUG"	01/01/2006-
004	042	37Q2840	GASKET	01/01/2006-
004	043	36Q1171	LOCKNUT M16X1.5	01/01/2006-
004	044	36E3320	SIPHON GASKET	01/01/2006-
005	001	6023090	INSIDE MOVING GLASS + FRAME FO	01/01/2006-
005	002	36E2630	DOOR OUTSIDE GLASS	01/01/2006-
005	003	3003460	HINGE BRACKET	01/01/2006-
005	004	3003470	BOTTOM HINGE BUSHING	01/01/2006-
005	005	3008810	MAGNET	01/01/2006-
005	006	3019510	SPACER	01/01/2006-
005	007	3190020	SCREW M6X10	01/01/2006-
005	008	6300640	OVEN DOOR ASS. Y	06/12/2007-
005	009	36D7062	PIN	01/01/2006-

Page	Pos	Code	Description	Info
005	010	36E2570	WEDGE LOCK	01/01/2006-
005	011	36E2581	LOCK UNIT	21/07/2009-
005	013	36E2660	BOTTOM DOOR SUPPORT	01/01/2006-
005	014	36E2670	DOOR BOTTOM HINGE	01/01/2006-
005	015	36E2680	DOOR TOP HINGE	01/01/2006-
005	016	36E2781	DOOR GUARD	07/09/2011-
005	017	36E2820	MALE HALF HINGE	01/01/2006-
005	018	36E2840	EXTERNAL GLASS GASKET	01/01/2006-
005	019	36E3021	FRONT GASKET	01/01/2006-
005	020	36G5320	SPRING	01/01/2006-
005	021	36H0920	FRAME PIN	01/01/2006-
005	022	6300843	PLASTIC INSERT LOCK	01/01/2006-
006	001	32D0030	TERMINAL BOARD	01/01/2006-
006	002	32D0870	TERMINAL CLAMP	01/01/2006-
006	003	32D0950	LIVE TERMINAL	01/01/2006-
006	004	32D0960	TERMINAL END COVER	01/01/2006-
006	005	32D0970	GROUND TERMINAL	01/01/2006-
006	006	32D1450	TERMINAL	01/01/2006-
006	007	32D1780	FAIRLEAD	01/01/2006-
006	008	3100940	RELAY BF09 230V- 50/60Hz-25(9)A	15/07/2007-
006	009	32V5361	PCB	01/04/2007-
006	010	32V5770	TRANSFORMER	01/01/2006-
006	011	32V6200	FUSE TERMINAL 10x38	01/01/2006-
006	012	32V6210	FUSE	01/01/2006-
006	013	32X0120	GROMMETØ 21	01/01/2006-
006	014	32X0130	GROMMET Ø29-Ø37	01/01/2006-
006	015	32X0380	ADHESIVE PLATE	01/01/2006-
006	016	3101090	RELAY	15/07/2007-
006	017	3100930	50/60Hz RELAY	15/07/2007-
006	018	36Q1940	HOLE PLUG	01/01/2006-
006	019	3100950	INDEP. ASSEMBLY SUPPORT	15/07/2007-