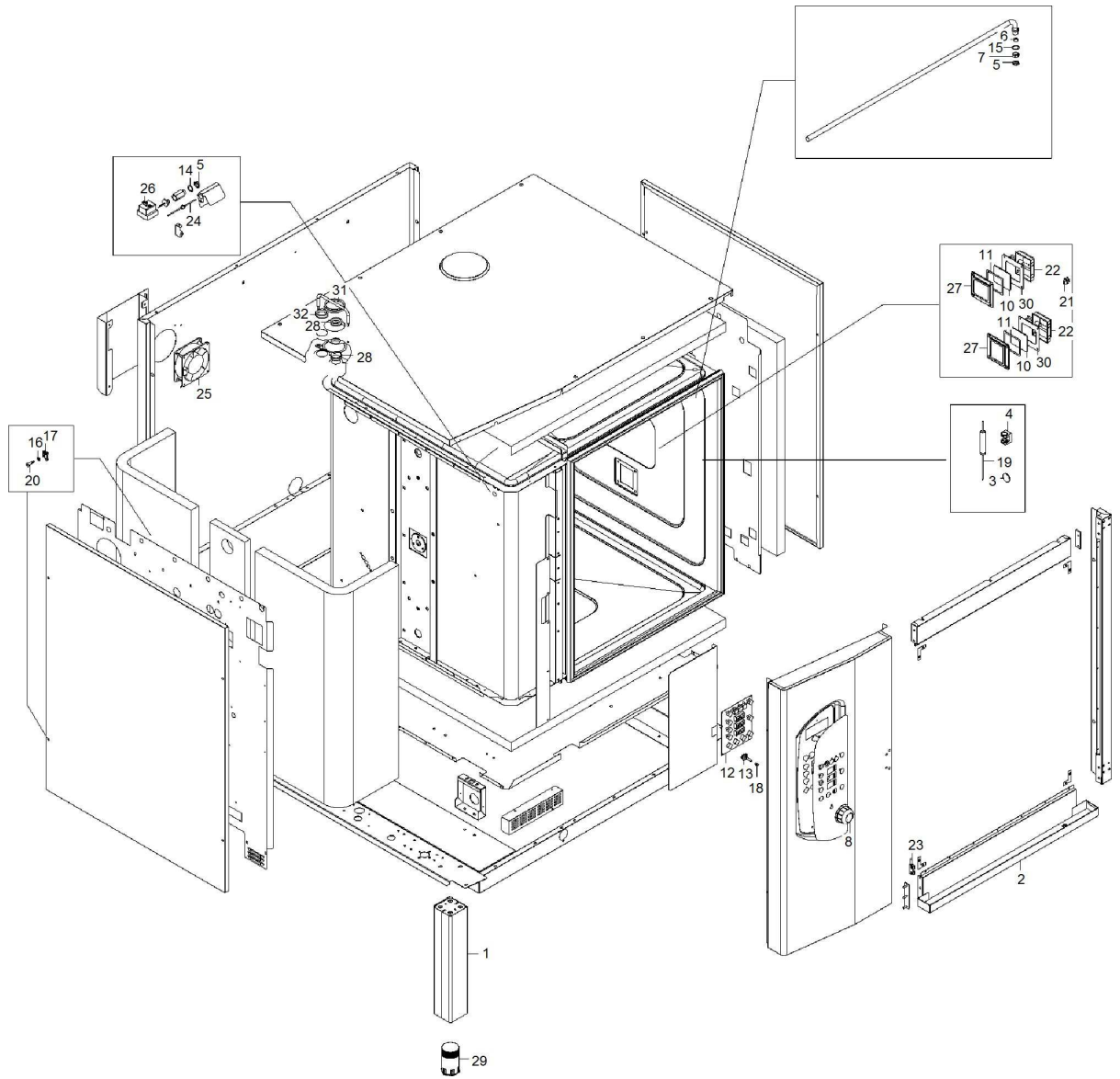
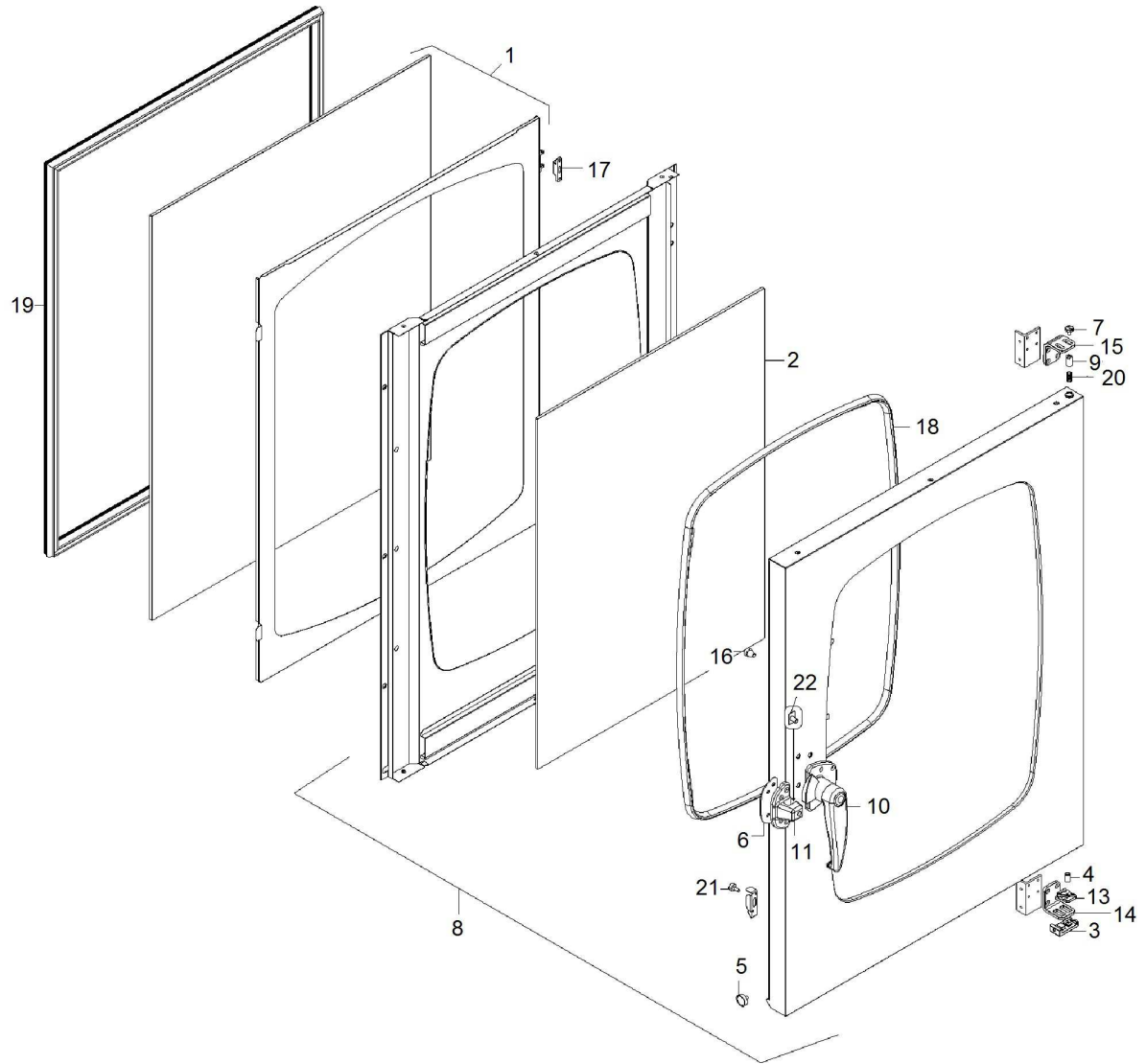


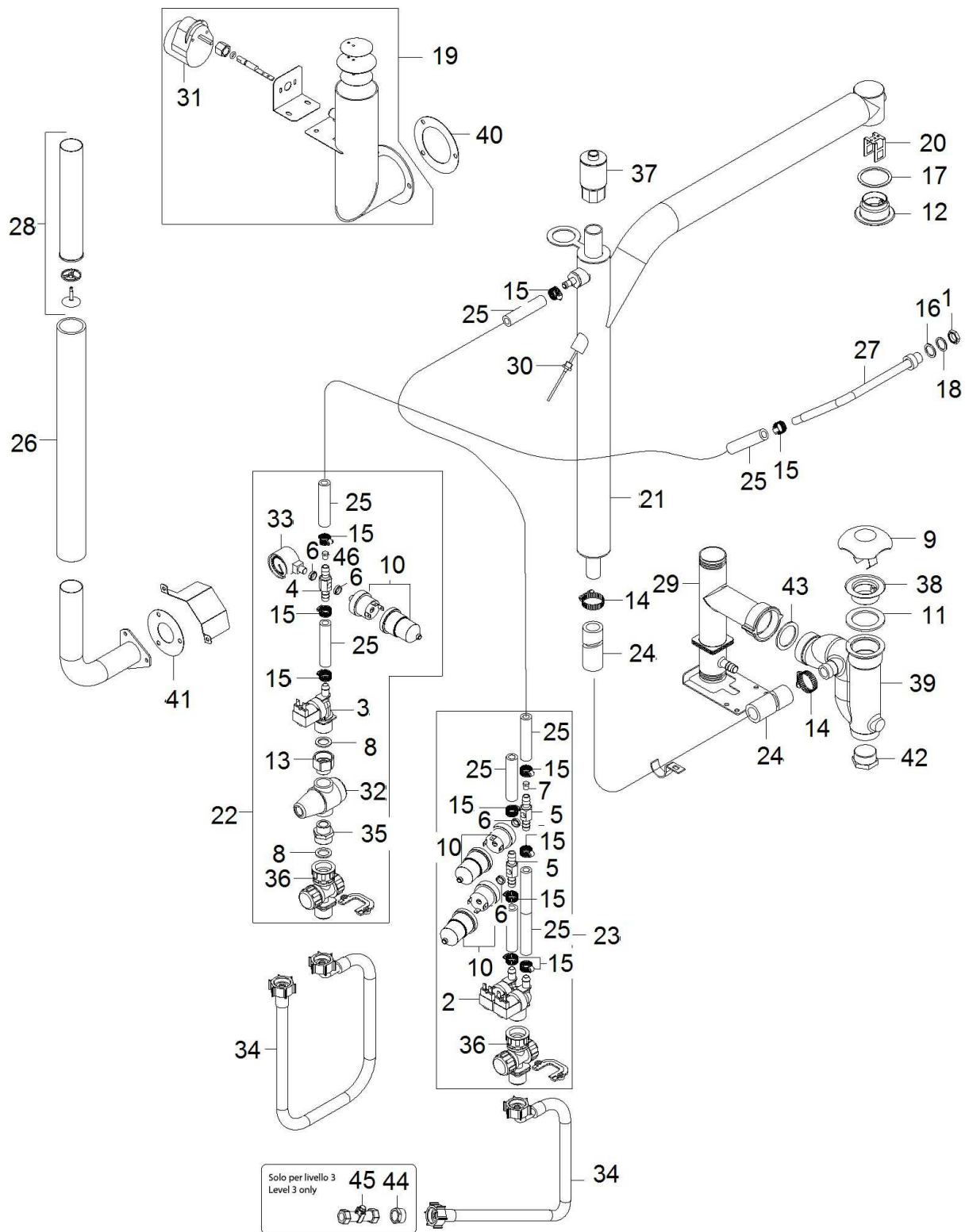


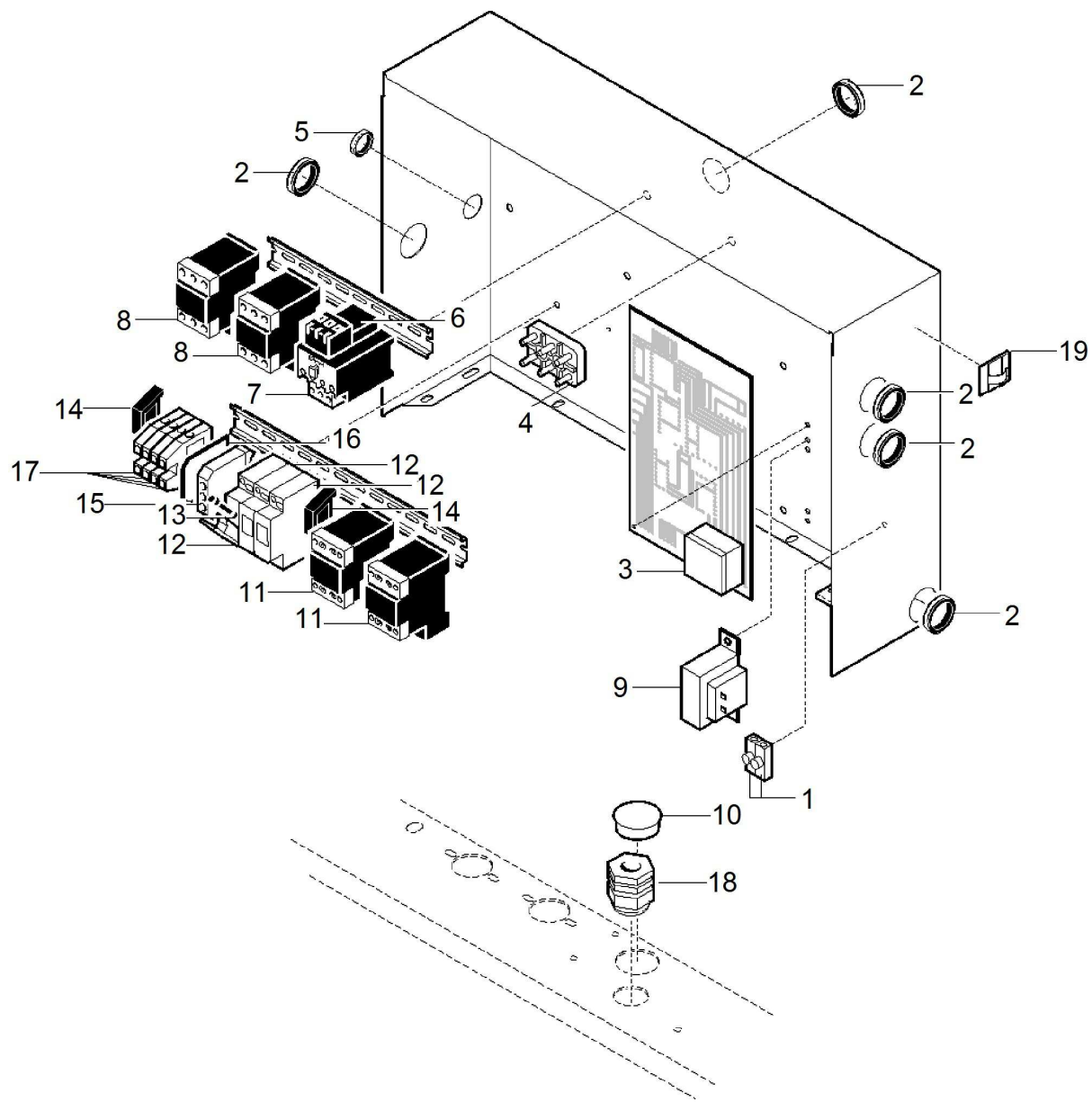
**FM1221E2-
VERS.2006**

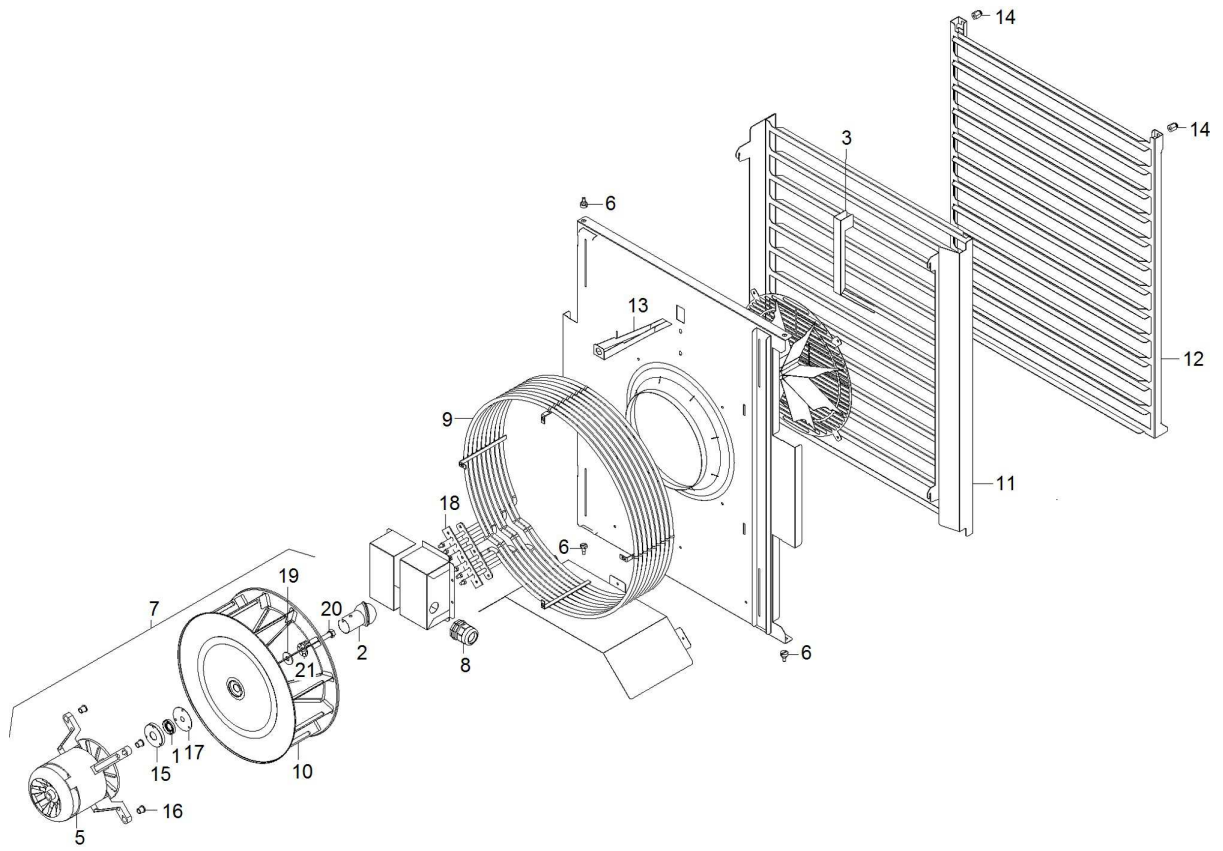
Edition 20150305-

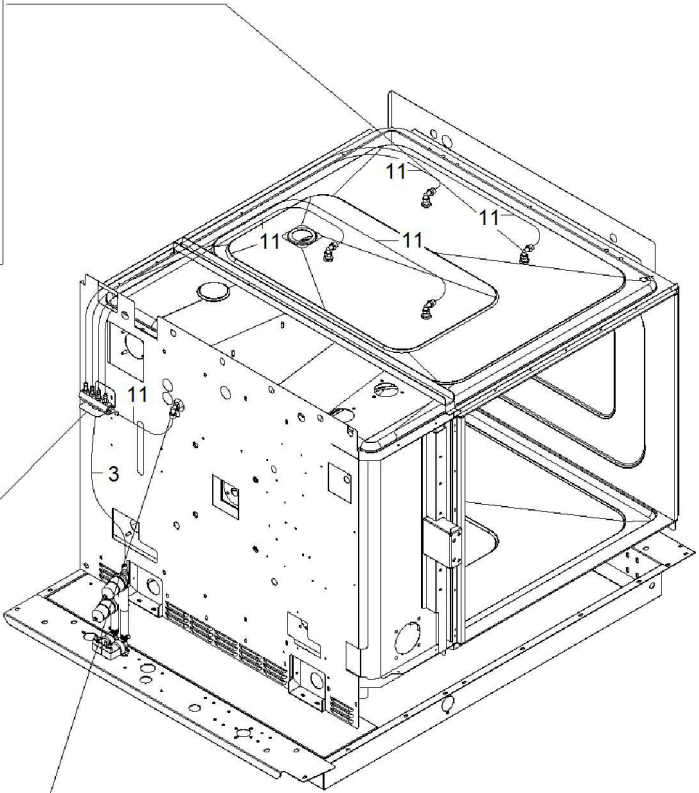
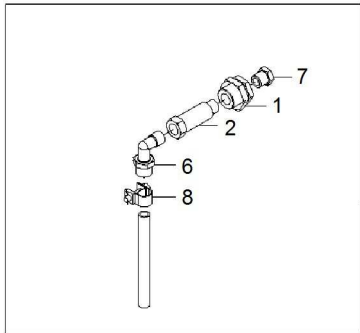
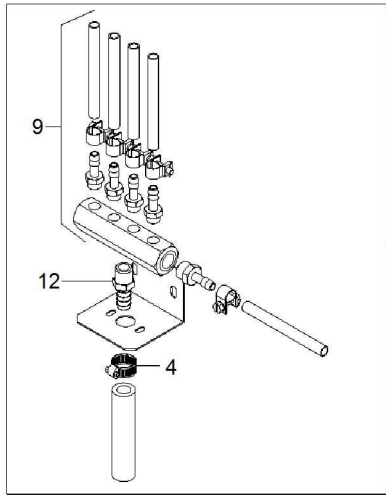
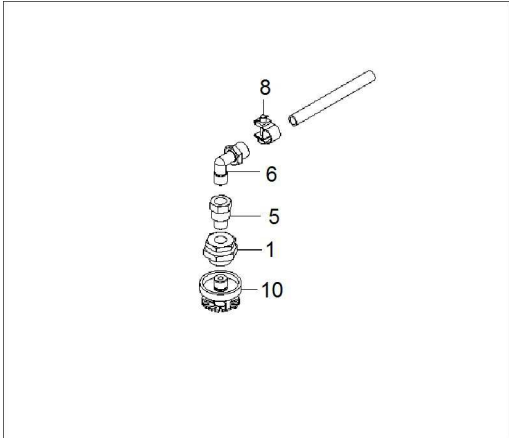


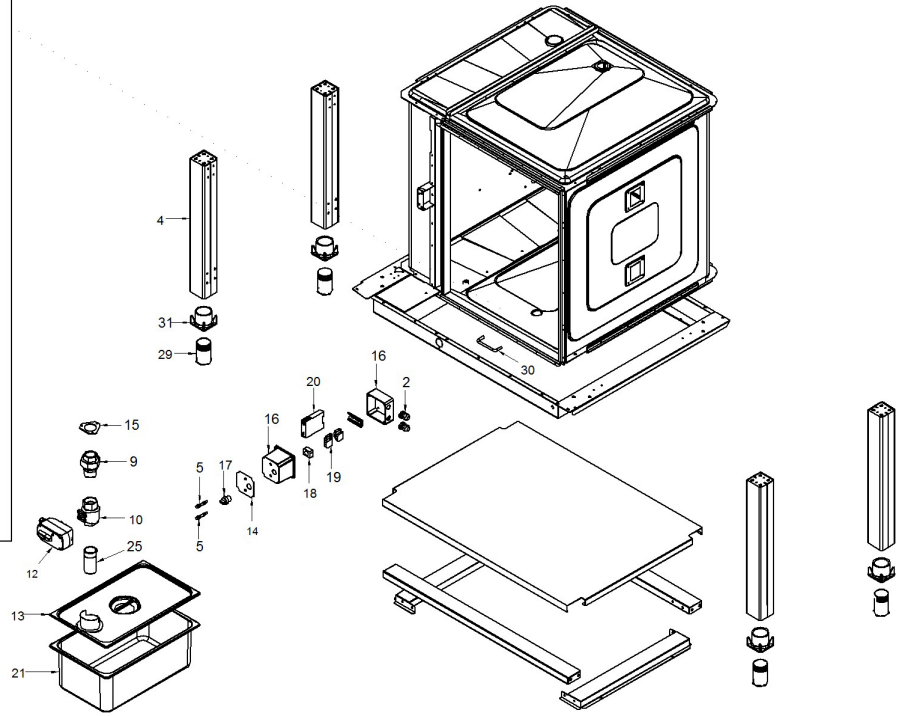
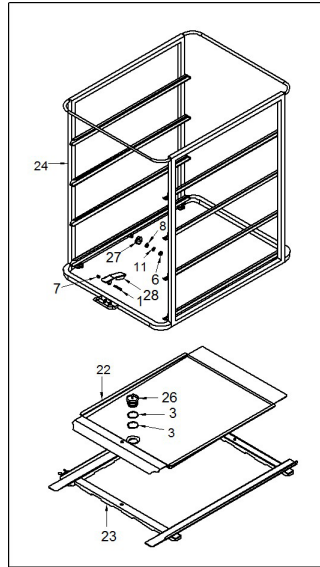












Page	Pos	Code	Description	Info
002	001	6300742	ASSEMBLY UP RIGHT	01/01/2006-
002	002	3076910	TRAY ASS.Y	13/07/2006-
002	003	3004870	PROBE WIRE RETAINER	01/01/2006-
002	004	3009231	SUPP. PROBE	01/01/2006-
002	005	36Q1171	LOCKNUT M16X1.5	01/01/2006-
002	006	3031100	GASKET	01/01/2006-
002	007	3031110	CONNECT.	01/01/2006-
002	008	36H0901	ENCODER KNOB	01/01/2006-
002	009	3125011	LEVEL 1-2 DASHBOARD	09/05/2008-
002	010	3036962	GLASS	07/08/2012-
002	012	3146492	PCB	02/03/2009-
002	013	3051070	ENCODER PIN ϕ 6-4.5	01/01/2006-
002	014	3151441	WASHER ϕ 22 ϕ 16.2=1.5 CU	01/01/2006-
002	015	3152360	WASHER 3/8" 3/8" ϕ 22- ϕ 17.2=1.5 CU/NI	01/01/2006-
002	016	3188650	WASHER	23/11/2010-
002	017	3170110	ACCOMODATION ϕ 6	01/01/2006-
002	018	3170290	KNOB SPRING	01/01/2006-
002	019	6300643	THERMAL RESISTOR PT1000 ASSEM	01/01/2006-
002	020	31X0170	PIN FT ϕ 6	01/01/2006-
002	021	3000060	TERMINAL	01/01/2006-
002	022	32V5570	LAMP, COMPLETE	01/01/2006-
002	023	32V5740	MAGNETIC MICROSWITCH	01/01/2006-
002	024	32V5750	THERMAL RESISTOR, PT1000	01/01/2006-
002	025	32V5790	FAN 20W 120mm	21/02/2013-
002	026	3111950	SAFETY THERMOSTAT	29/10/2008-
002	027	3278370	LAMP GUARD	14/01/2015-
002	028	36E3790	WASHER	01/01/2006-
002	029	36C3220	FOOT S/S ASSEMBLY	01/01/2006-
002	030	36E3170	LAMP GASKET	01/01/2006-
002	031	36E3860	WASHER	01/01/2006-
002	032	36E3560	WASHER	01/01/2006-
003	001	6023110	INSIDE MOVING GLASS + FRAME FO	01/01/2006-
003	002	36E3490	DOOR OUTSIDE GLASS	01/01/2006-
003	003	3003460	HINGE BRACKET	01/01/2006-
003	004	3003470	BOTTOM HINGE BUSHING	01/01/2006-
003	005	3008810	MAGNET	01/01/2006-
003	006	3019510	SPACER	01/01/2006-
003	007	3190020	SCREW M6X10	01/01/2006-
003	008	6300657	OVEN DOOR ASS. Y	10/12/2007-
003	009	36D7062	PIN	01/01/2006-
003	010	36E2570	WEDGE LOCK	01/01/2006-
003	011	36E2581	LOCK UNIT	21/07/2009-
003	013	36E2660	BOTTOM DOOR SUPPORT	01/01/2006-
003	014	36E2670	DOOR BOTTOM HINGE	01/01/2006-
003	015	36E2680	DOOR TOP HINGE	01/01/2006-
003	016	36E2781	DOOR GUARD	07/09/2011-
003	017	36E2820	MALE HALF HINGE	01/01/2006-
003	018	36E3480	EXTERNAL GLASS GASKET	01/01/2006-
003	019	36E3521	FRONT GASKET	01/01/2006-
003	020	36G5320	SPRING	01/01/2006-
003	021	36H0920	FRAME PIN	01/01/2006-

Page	Pos	Code	Description	Info
003	022	6300843	PLASTIC INSERT LOCK	01/01/2006-
004	001	36Q1171	LOCKNUT M16X1.5	01/01/2006-
004	002	3032670	"SOLENOID VALVE 3/4"" 1IN-2OUT"	01/01/2006-
004	003	3032680	"SOLENOID VALVE 3/4"" 1IN-1OUT"	01/01/2006-
004	004	3032880	CONNECTOR	01/01/2006-
004	005	3032890	CONNECTOR	01/01/2006-
004	006	3032900	SPACER	01/01/2006-
004	007	3032920	JET Ø 1.85	01/01/2006-
004	008	37Q2840	GASKET	01/01/2006-
004	009	3278360	FILTER	13/02/2015-
004	010	3041830	PRESSURESTAT	01/01/2006-
004	011	3045960	GASKET	01/01/2006-
004	012	3051330	VALVE CONNECTOR	01/01/2006-
004	013	3051370	SLEEVE F3/4 M1/2	01/01/2006-
004	014	3140220	PIPE CLAMP	01/01/2006-
004	015	3140230	12/20 PIPE CLAMP	01/01/2006-
004	016	3151441	WASHER Ø22Ø16.2=1.5 CU	01/01/2006-
004	017	3151450	WASHER	01/01/2006-
004	018	3152360	WASHER 3/8" 3/8" Ø22-Ø17.2=1.5 CU/NI	01/01/2006-
004	019	6002620	BUTTERFLY VALVE UNIT	01/01/2006-
004	020	6002930	COUNTERWEIGHT, SINGLE	01/01/2006-
004	021	6020031	CONDENSATION DRAIN UNIT	19/10/2009-
004	022	6019290	WATER INTAKE UNIT	01/01/2006-
004	023	6020041	WATER INTAKE UNIT	02/12/2008-
004	024	111AA05	RUBBER HOSE Ø30 Ø20	01/01/2006-
004	025	131AA12	RUBBER HOSEØ17Ø10 X H ² O	01/01/2006-
004	026	131AA29	RUBBER HOSE	01/01/2006-
004	027	30Z2050	PIPE AISI304 Ø12- 159X77	01/01/2006-
004	028	6002920	EXTRACTION UNIT	01/01/2006-
004	029	30Z3011	WASTE PIPE	01/01/2006-
004	030	32V5760	THERMAL RESISTOR, PT1000	01/01/2006-
004	031	32V5780	CYCLE PROGRAMMER	01/01/2006-
004	032	33D1650	"PRES. REDUC. VAL. F-F Ø 1/2""	01/01/2006-
004	033	33D1680	MANOMETRE 0-40BAR M1/8	01/01/2006-
004	034	33M0350	PIPE	01/01/2006-
004	035	33Q2500	NIPPLE 1/2"-3/4"	01/01/2006-
004	036	33Q4860	H2O FILTER	02/12/2008-
004	037	33Q5980	SOUND REDUC. CONNECTOR	01/01/2006-
004	038	36A3401		04/12/2013-
004	039	36A5020	DRAIN TRAP	01/01/2006-
004	040	36E3000	BUTTERFLY VALVE GASKET	01/01/2006-
004	041	36E3010	EXTRACTION GASKET	01/01/2006-
004	042	36E3040	"M""1"" PLUG"	01/01/2006-
004	043	36E3320	SIPHON GASKET	01/01/2006-
004	044	3006360	REDUCING MF 3/4"G- 1/2"G	19/09/2008-
004	045	3004170	VALVE	19/09/2008-
004	046	3032930	JET	01/01/2006-
004	046	3032940	JET	01/01/2006-
004	046	3032950	JET	01/01/2006-
005	001	32D1450	TERMINAL	01/01/2006-
005	002	32X0120	GROMMETØ 21	01/01/2006-

Page	Pos	Code	Description	Info
005	003	32V5361	PCB	01/04/2007-
005	004	32D0030	TERMINAL BOARD	01/01/2006-
005	005	32X0130	GROMMET Ø29-Ø37	01/01/2006-
005	006	3100950	INDEP. ASSEMBLY SUPPORT	18/12/2007-
005	007	3101090	RELAY	18/12/2007-
005	008	3100930	RELAY	18/12/2007-
005	009	32V5930	TRANSFORMER	01/01/2006-
005	010	36Q1940	HOLE PLUG	01/01/2006-
005	011	3100940	RELAY BF09 230V- 50/60Hz-25(9)A	18/12/2007-
005	012	32V6200	FUSE TERMINAL 10x38	01/01/2006-
005	013	32V6210	FUSE	01/01/2006-
005	014	32D0870	TERMINAL CLAMP	01/01/2006-
005	015	32D0970	GROUND TERMINAL	01/01/2006-
005	016	32D0960	TERMINAL END COVER	01/01/2006-
005	017	32D0950	LIVE TERMINAL	01/01/2006-
005	018	32D1780	FAIRLEAD	01/01/2006-
005	019	32X0380	ADHESIVE PLATE	01/01/2006-
006	001	3004400	GASKET	01/01/2006-
006	002	3004791	DIFFUSER	01/01/2006-
006	003	30Q2690	END PIPE, COMPLETE	01/01/2006-
006	005	32M6722	MOTOR LEVEL 1-2	01/01/2006-
006	006	3084430	SCREW TE M6 Ø16x23	01/03/2007-
006	007	6003040	MOTOR ASS.Y	01/01/2006-
006	008	32D1780	FAIRLEAD	01/01/2006-
006	009	32G1711	HEATING EL.	01/01/2006-
006	010	32M6761	FAN	01/01/2006-
006	011	3281510	LH TRAY HOLDER	05/03/2015-
006	012	3281500	RH FRAME ASS. Y	05/03/2015-
006	013	35Y3260	WATER INTAKE JOINT	01/01/2006-
006	014	3278380	M6 TRAY HOLDER PIN	11/02/2015-
006	015	36E3160	RING GASKET	01/01/2006-
006	016	36H0890	SUPPORT BUSHING	01/01/2006-
006	017	37Q0250	GASKET	01/01/2006-
006	018	37Q3220	GASKET	01/01/2006-
006	019	3014810	WASHER Ø30Ø10.5=2.5	01/01/2006-
006	020	3016470	SCREW M10X35	01/01/2006-
006	021	3019001	WASHER	01/01/2006-
007	001	3003400	UNION	01/01/2006-
007	002	3003760	EXTENSION	01/01/2006-
007	003	131AA12	RUBBER HOSEØ17Ø10 X H²O	01/01/2006-
007	004	3140230	12/20 PIPE CLAMP	01/01/2006-
007	005	3007200	EXTENSION	01/01/2006-
007	006	3014470	90°-ELBOW	01/01/2006-
007	007	33T4570	RINSE NOZZLE	09/01/2013-
007	008	36E4320	BAND CLAMP	01/01/2006-
007	009	6016521	SPRINKLER PIPES ASS.Y	27/06/2008-
007	010	3281420	FIXED SPOUT	27/01/2015-
007	011	131AA35	PIPE	01/01/2006-
007	012	33Q6650	UNION	27/06/2008-
008	001	3032730	SCREW	01/06/2009-
008	002	3059590	GROMMET	01/06/2009-

Page	Pos	Code	Description	Info
008	003	3079680	"O" RING	01/06/2009-
008	004	6300741	ASSEMBLY UP RIGHT	01/06/2009-
008	005	3106710	GREEN LIGHT 230V	01/06/2009-
008	006	3110050	STEEL NUT M8X6.5	01/06/2009-
008	007	3114590	NUT M5	01/06/2009-
008	008	3120050	STEEL WASHER Ø16 Ø8.4=1.6	01/06/2009-
008	009	3121850	PIPE UNION 1" 1/2"	01/06/2009-
008	010	3123360	COCK 1" 1/2"	01/06/2009-
008	011	3123670	WASHER	01/06/2009-
008	012	3126950	MOTOR F04 230V 35S OM S/R	01/06/2009-
008	013	3137080	COVER	01/06/2009-
008	014	3137140	DASHBOARD	01/06/2009-
008	015	3137270	FLANGE	01/06/2009-
008	016	3137710	CABINET	01/06/2009-
008	017	3137720	TELEMECANIQUE SWITCH	01/06/2009-
008	018	3137730	TELEMECANIQUE FLANGE	01/06/2009-
008	019	3137740	AUXILIARY CONTACT	01/06/2009-
008	020	3137750	RELAY	01/06/2009-
008	021	3137800	TRAY	01/06/2009-
008	022	3138000	TRAY	01/06/2009-
008	023	3138011	SLIDING RAIL	23/11/2010-
008	024	3220180	FRAME	21/11/2013-
008	025	3145380	DRAIN PIPE 1"1/2 L100MM	01/06/2009-
008	026	3145790	HOLE PLUG	01/06/2009-
008	027	3158020	WHEEL Ø30	01/06/2009-
008	028	3158070	STATIONARY CART	01/06/2009-
008	029	36C3220	FOOT S/S ASSEMBLY	01/06/2009-
008	030	36D4731	COUPLER	01/06/2009-
008	031	36E0600	FOOT SUPPORT 2"	01/06/2009-