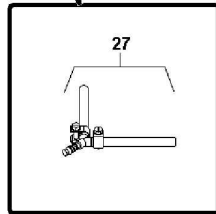
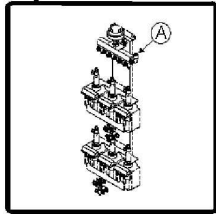
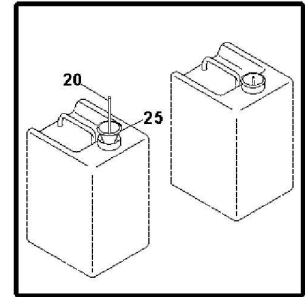
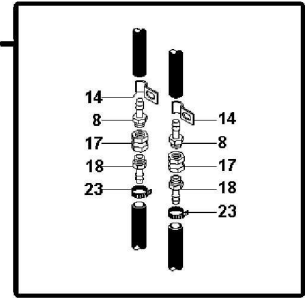
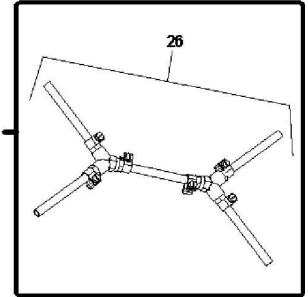
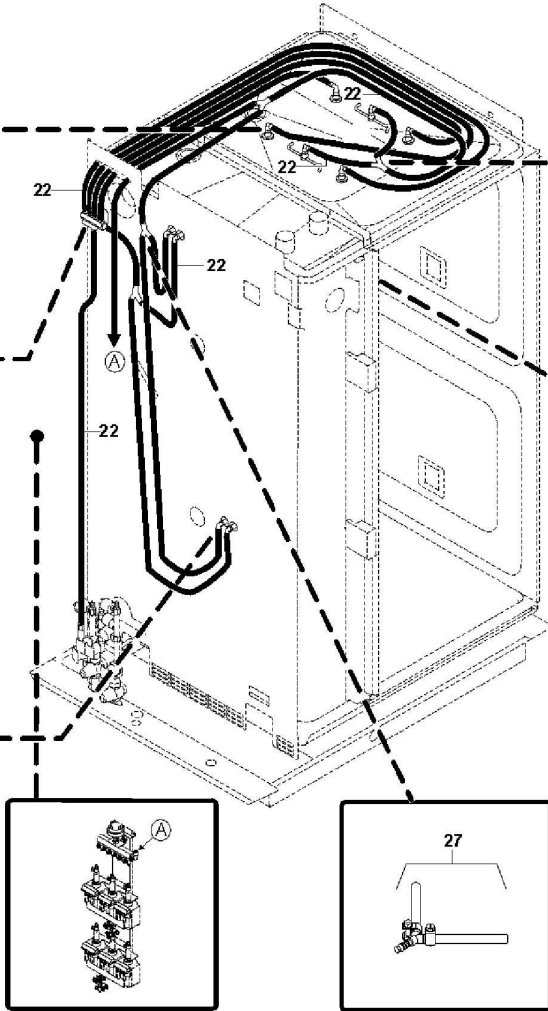
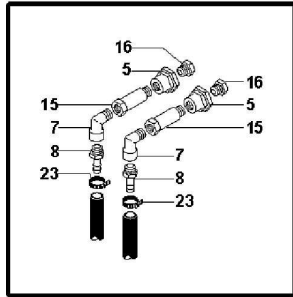
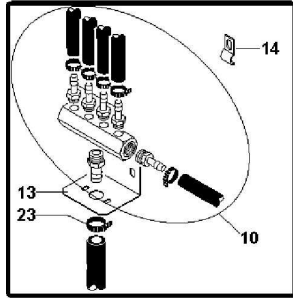
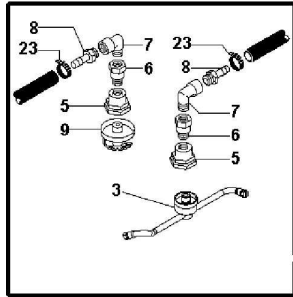


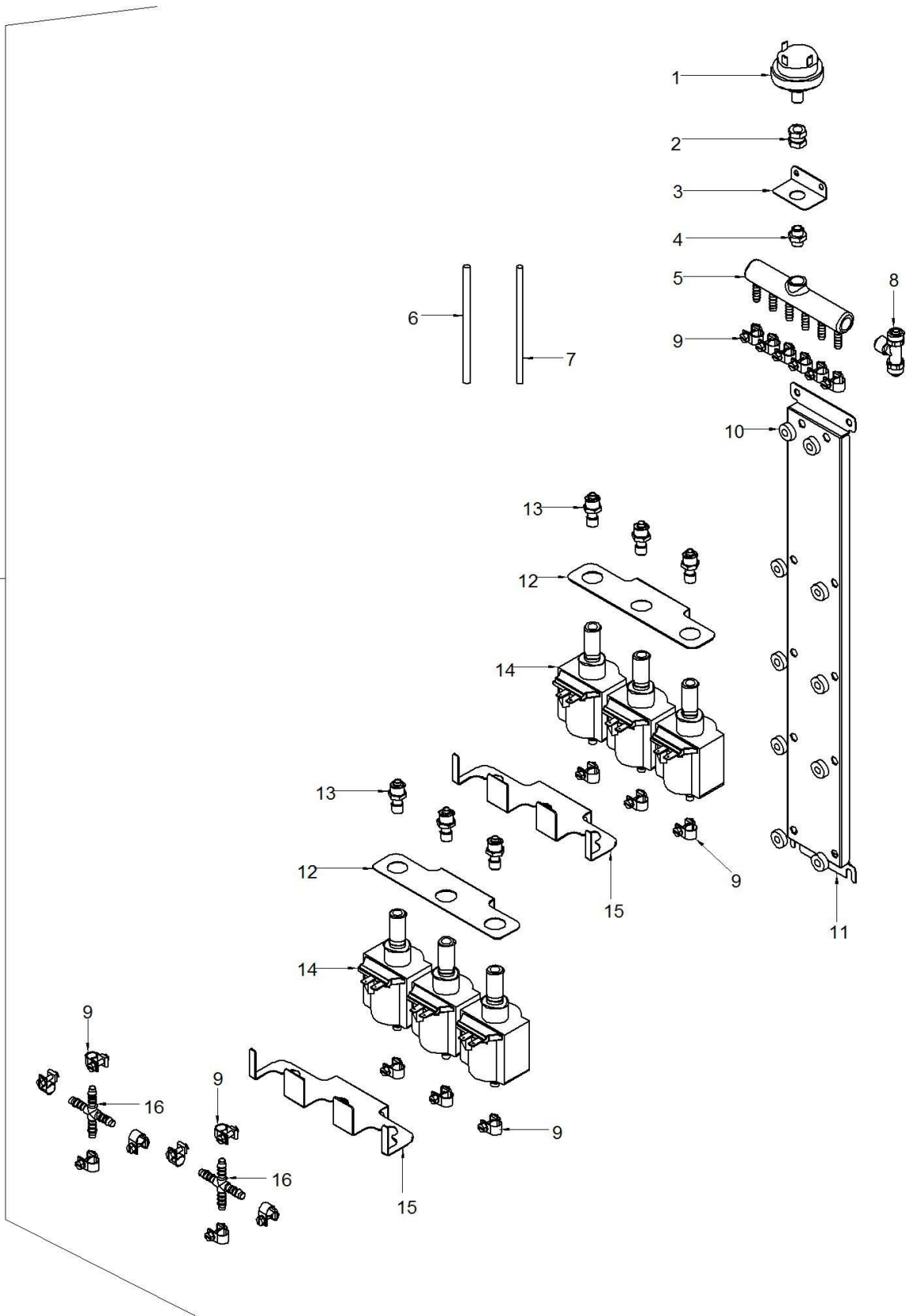


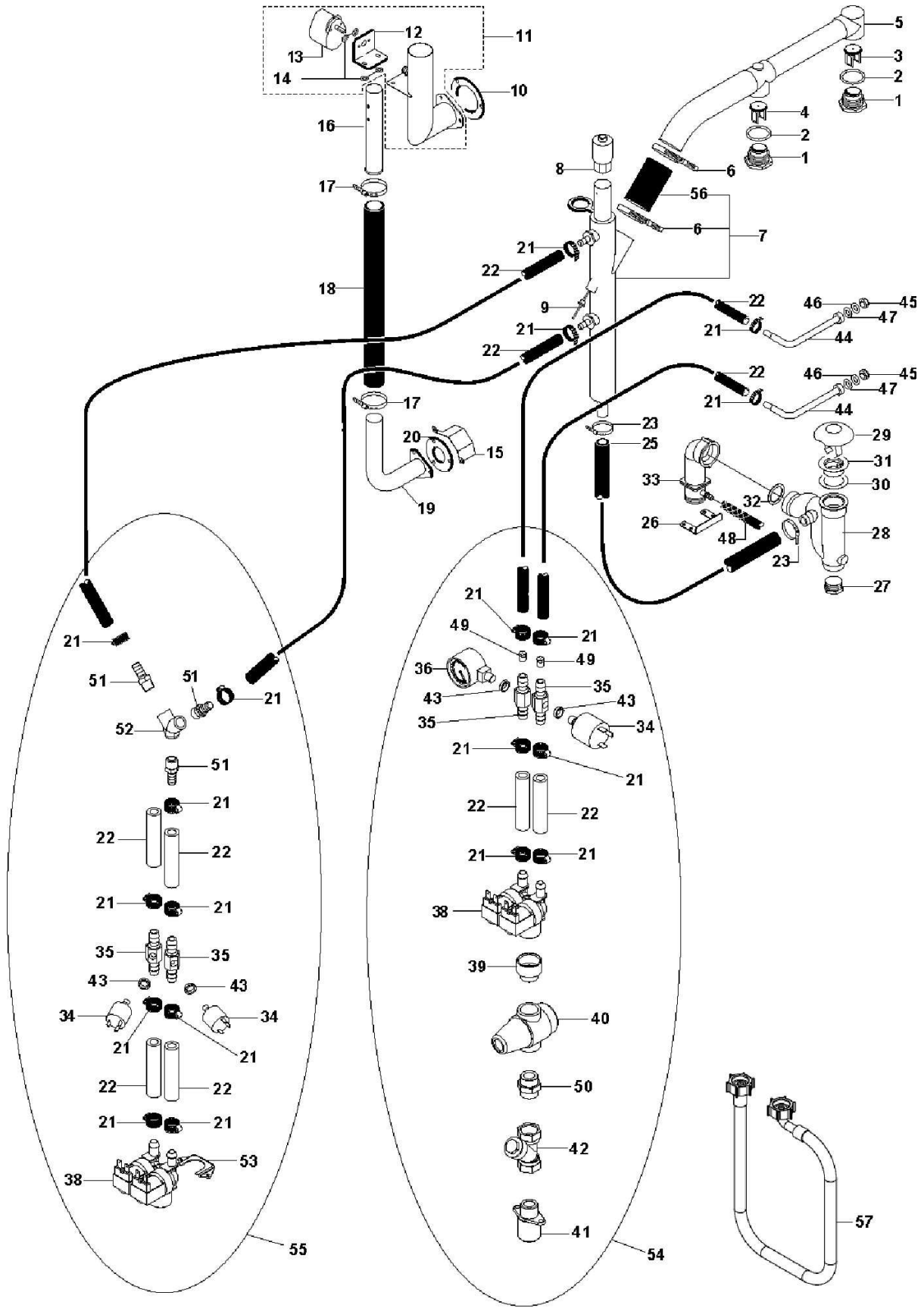
FM2021E3

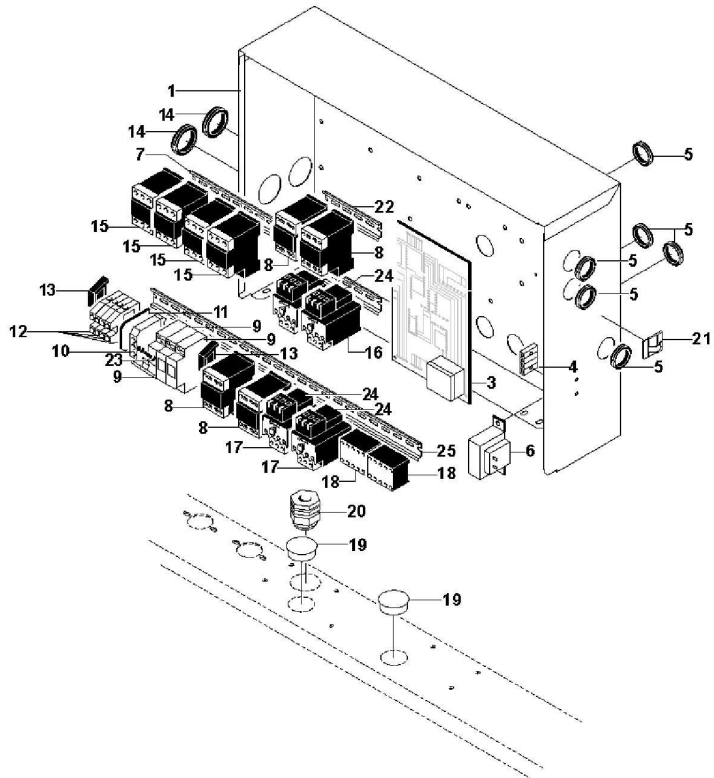
Edition 20150213-

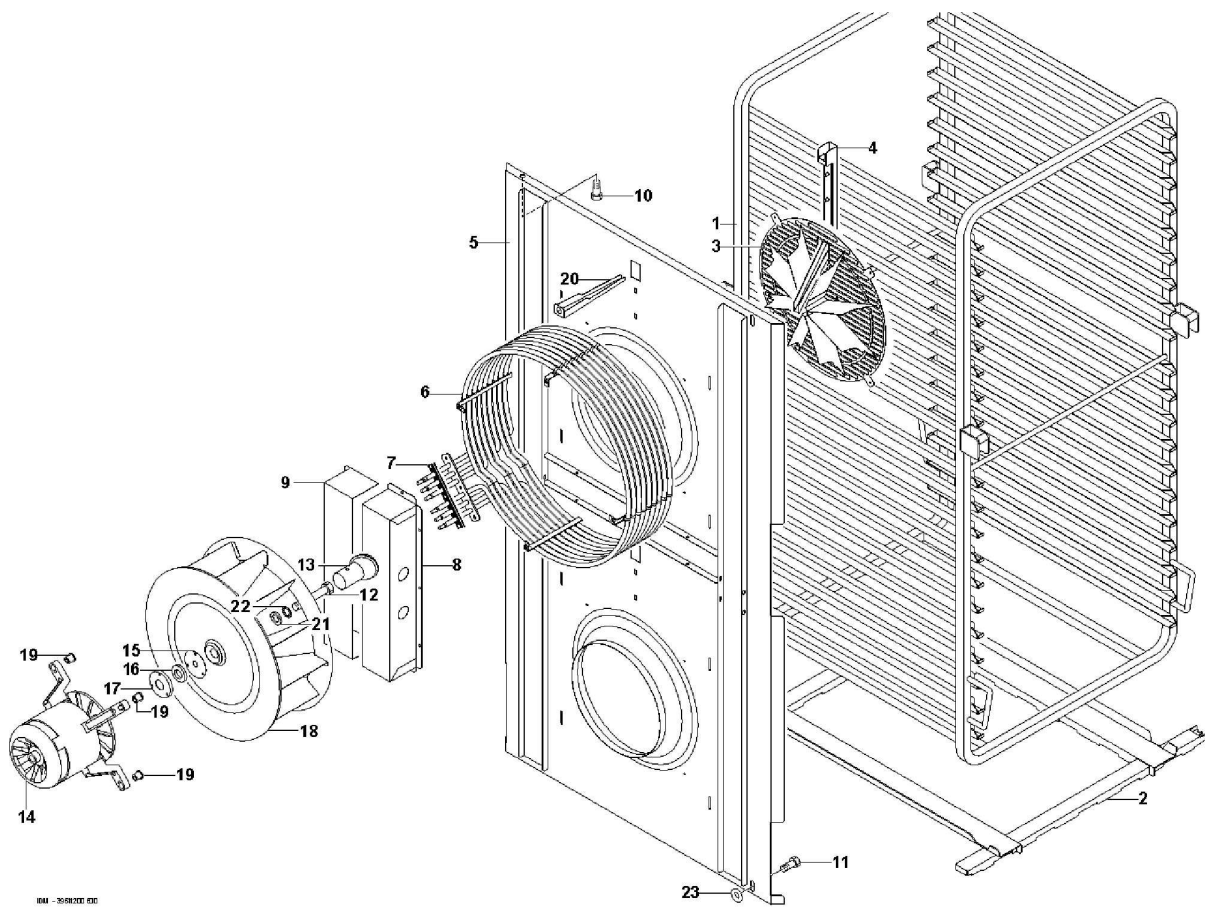


17









Page	Pos	Code	Description	Info
002	001	30Q2840	COOKING CHAMBER	01/01/2004-
002	002	37B2500	INSULANTING PANEL	01/01/2004-
002	003	3032200	OVEN TOP, COMPLETE	22/11/2004-
002	004	3151441	WASHER Ø22Ø16.2=1.5 CU	01/01/2004-
002	005	36Q1171	LOCKNUT M16X1.5	01/01/2004-
002	006	30Q3130	PROBE PIPE ASS. Y	01/01/2004-
002	007	35E6520	FRONT INSULATION RETAINER	01/01/2004-
002	008	35E8260	THERMOSTAT BULB SUPPORT	01/01/2004-
002	009	35Z3630	PROTECTION	01/01/2004-
002	010	36E3860	WASHER	01/01/2004-
002	011	36E3560	WASHER	01/01/2004-
002	012	3006040	FAN	11/12/2012-
002	013	35E6450	REAR PANEL	01/01/2004-
002	014	3213200	OUT AIR BOX	02/09/2013-
002	015	35E3800	CHAMBER SUPP.	01/01/2004-
002	016	35E5360	PROTECT. CONTR. BOARD	01/01/2004-
002	017	35E4920	BOTTOM INSULATION RETAINER	01/01/2004-
002	018	35E3020	C" RACEWAY FOR LAMP WIRES	01/01/2004-
002	019	3032310	BASE	22/11/2004-
002	020	30Q2950	UP RIGHT	01/01/2004-
002	021	36E0600	FOOT SUPPORT 2"	01/01/2004-
002	022	36C3220	FOOT S/S ASSEMBLY	01/01/2004-
002	023	37B3420	RH ISOLATION PANEL	01/01/2004-
002	024	35E6530	RH INSULATION RETAINER	01/01/2004-
002	025	35E6470	PANEL	01/01/2004-
002	026	35E6541	LH INSULATION RETAINER	02/06/2004-
002	027	37B2970	LSX INSULATING PANEL	01/01/2004-
002	028	37B2960	CSX INSULATING PANEL	01/01/2004-
002	029	3008660	TOP PLATE	01/01/2004-
002	030	36E3790	WASHER	01/01/2004-
002	031	3159511	PROBE	20/12/2005-
002	032	3007150	PLAT PROFILE	01/01/2004-
002	033	32V5740	MAGNETIC MICROSWITCH	01/01/2004-
002	034	36Q0380	PLUG Ø38	01/01/2004-
002	035	3278370	LAMP GUARD	14/01/2015-
002	036	3036962	GLASS	07/08/2012-
002	037	36E3170	LAMP GASKET	01/01/2004-
002	038	32V5570	LAMP, COMPLETE	01/01/2004-
002	039	32X0200	GROMMET Ø7.5-Ø11.5	01/01/2004-
002	040	3150220	GASKET	01/01/2004-
002	041	3152360	WASHER 3/8" 3/8" Ø22-Ø17.2=1.5 CU/NI	01/01/2004-
002	042	3009231	SUPP. PROBE	22/07/2004-
002	043	33Q0730	CONNECT.	01/01/2004-
002	044	35E5880	THERMORES. PROTECTION	01/01/2004-
002	045	32V5750	THERMAL RESISTOR, PT1000	01/01/2004-
002	046	3111950	SAFETY THERMOSTAT	01/01/2005-
002	047	33Q5630	CONNECT MF 3/8"- M16	01/01/2004-
002	048	35S6361	L" SHAPED BAR	01/01/2004-
002	049	32D1450	TERMINAL	01/01/2004-
002	050	3170110	ACCOMODATION Ø6	01/01/2004-
002	051	31X0170	PIN FT Ø6	01/01/2004-

Page	Pos	Code	Description	Info
002	052	3188650	WASHER	23/11/2010-
002	053	3004870	PROBE WIRE RETAINER	01/01/2004-
002	054	36H0901	ENCODER KNOB	01/01/2006-
002	055	3170290	KNOB SPRING	01/01/2004-
002	056	32V5580	ENCODER PIN Ø6-4,5	01/01/2004-
002	057	36C0970	SPACER	01/01/2004-
002	058	3018771	PCB	01/01/2004-
002	059	3057570	L" GUARD STRIP FOR CIRCUIT	01/09/2005-
002	060	37B2920	TRANSPARENT PANEL	01/01/2004-
002	061	3019021	PCB LCD	01/01/2004-
002	062	36C5260	CIRC. BOARD SPACER	01/01/2004-
002	063	3018780	DASHBOARD	01/01/2004-
002	064	3032580	CONTROL PANEL	22/11/2004-
002	065	3008520	PLATE	01/01/2004-
002	066	3001840	TRAY ASS.Y	01/01/2004-
002	067	3016990	SIDE PLATE	01/01/2004-
002	068	35E8540	FRONT CORNER ELEMENT	01/01/2004-
002	069	37B2950	ADX INSULATING PANEL	01/01/2004-
002	070	3031540	GRID	01/01/2004-
002	071	36Q1110	LOCK NUT 3/8"	01/01/2004-
002	072	33Q0530	CAP M. 3/8	01/01/2004-
002	073	3152360	WASHER 3/8" 3/8" Ø22-Ø17.2=1.5 CU/NI	01/01/2004-
003	003	6300593	WASH BLADES	15/05/2006-
003	005	3003400	UNION	01/01/2004-
003	006	3007200	EXTENSION	01/01/2004-
003	007	3003750	ELBOW	01/01/2004-
003	008	3007950	UNION	01/01/2004-
003	009	3281420	FIXED SPOUT	27/01/2015-
003	010	6016520	SPRINKLER PIPES	01/01/2004-
003	012	33Q6650	ASS.Y UNION	01/01/2004-
003	013	35E6190	L BRACKET	01/01/2004-
003	014	3140290	PIPE CLAMP Ø10	01/01/2004-
003	015	3003760	EXTENSION	01/01/2004-
003	016	33T4570	RINSE NOZZLE	09/01/2013-
003	017	3008100	UNION	01/01/2004-
003	018	33Q6630	UNION	01/01/2004-
003	019	32X0130	GROMMET Ø29-Ø37	01/01/2004-
003	020	3007170	PIPE	01/01/2004-
003	022	131AA35	PIPE	01/01/2004-
003	023	36E4320	BAND CLAMP	01/01/2004-
003	025	3003940	TEE	01/01/2004-
003	026	6016510	PIPES ASS.Y	01/01/2004-
003	027	6016500	PIPES ASS.Y	01/01/2004-
004	001	3004461	PRESSURE-SWITCH	01/01/2006-
004	002	3008100	UNION	01/01/2004-
004	003	3015530	BRACKET	01/01/2004-
004	004	3005480	UNION	01/01/2004-
004	005	3035240	COLLECTOR	01/01/2004-
004	006	3000290	RED PIPE (U.M.=MT)	01/01/2004-
004	007	3003920	BLUE PIPE (U.M.=MT)	01/01/2004-
004	008	3157640	"T"-JUNCTION	01/01/2006-

Page	Pos	Code	Description	Info
004	009	36E4320	BAND CLAMP	01/01/2006-
004	010	3014790	SHOCK ABSORBER	01/01/2004-
004	011	3015500	SUPPORT	01/01/2004-
004	012	3047450	FRONT SUPPORT	01/01/2006-
004	013	3142690	JOINT 1/8"	01/01/2006-
004	014	32M7001	PUMP	01/01/2004-
004	015	3047460	BACK SUPPORT	01/01/2006-
004	016	3000280	UNION	01/01/2004-
004	017	6014582	COMPLETE PUMP UNIT	01/01/2006-
005	001	30Q2920	OVEN DOOR	01/01/2004-
005	002	30Q2930	OVEN COUNTER DOOR	01/01/2004-
005	003	36E3930	EXTERNAL GLASS GASKET	01/01/2004-
005	004	36E3950	DOOR OUTSIDE GLASS	01/01/2004-
005	005	6022510	INSIDE MOVING GLASS + FRAME FO	01/01/2004-
005	007	36E3921	FRONT GASKET	01/01/2004-
005	008	3003460	HINGE BRACKET	01/01/2004-
005	009	36E2570	WEDGE LOCK	01/01/2004-
005	010	36E2581	LOCK UNIT	21/07/2009-
005	011	36E2781	DOOR GUARD	07/09/2011-
005	012	36E2820	MALE HALF HINGE	01/01/2004-
005	013	36H0920	FRAME PIN	01/01/2004-
005	014	35E2850	FRAME RETAINER	01/01/2004-
005	015	3008810	JOINT MAGNET	01/01/2004-
005	016	36G5320	SPRING	01/01/2004-
005	017	36D7062	PIN	01/01/2004-
005	018	36E2680	DOOR TOP HINGE	01/01/2004-
005	019	3190020	SCREW M6X10	01/01/2004-
005	020	35E7310	SMALL PLATE	01/01/2004-
005	021	36E2660	BOTTOM DOOR	01/01/2004-
005	022	36E2670	SUPPORT DOOR BOTTOM HINGE	01/01/2004-
005	023	3003470	BOTTOM HINGE BUSHING	01/01/2004-
005	024	6300542	OVEN DOOR UNIT, COMPLETE	01/01/2004-
005	025	3008800	PROFILE "C"	01/01/2004-
005	026	3019510	SPACER	01/01/2004-
005	027	6300843	PLASTIC INSERT LOCK	01/01/2004-
006	001	33Q5410	VALVE CONNECTOR	01/01/2004-
006	002	3151450	WASHER	01/01/2004-
006	003	6002930	COUNTERWEIGHT, SINGLE	01/01/2004-
006	004	6002940	COUNTERWEIGHT, DOUBLE	01/01/2004-
006	005	30Z3220	HORIZONTAL EXHAUST PIPE	01/01/2004-
006	006	3140160	CLAMP \varnothing 55 \varnothing 70	01/01/2004-
006	007	6002801	CONDENSATION DRAIN UNIT	24/09/2009-
006	008	33Q5980	SOUND REDUC. CONNECTOR	01/01/2004-
006	009	32V5760	THERMAL RESISTOR, PT1000	01/01/2004-
006	010	36E3000	BUTTERFLY VALVE GASKET	01/01/2004-
006	011	6002620	BUTTERFLY VALVE UNIT	01/01/2004-
006	012	35E6190	L BRACKET	01/01/2004-
006	013	32V5780	CYCLE PROGRAMMER	01/01/2004-
006	014	3150510	RING	01/01/2004-
006	015	35E6850	EXTRACTION GUARD	01/01/2004-
006	016	6002920	EXTRACTION UNIT	01/01/2004-

Page	Pos	Code	Description	Info
006	017	3140300	HOSE CLAMP	01/01/2004-
006	018	131AA29	RUBBER HOSE	01/01/2004-
006	019	30Z2930	BOTTOM EXTRACTION PIPE	01/01/2004-
006	020	36E3010	EXTRACTION GASKET	01/01/2004-
006	021	3140230	12/20 PIPE CLAMP	01/01/2004-
006	022	131AA12	RUBBER HOSEØ17Ø10 X H²O	01/01/2004-
006	023	3140220	PIPE CLAMP	01/01/2004-
006	024	3140060	PIPE SUPPORT Ø 28	01/01/2004-
006	025	111AA05	RUBBER HOSE Ø30 Ø20	01/01/2004-
006	026	35E5060	INTERNAL EXHAUST PIPE SUPPORT	01/01/2004-
006	027	36E3040	"M""1"" PLUG"	01/01/2004-
006	028	36A5020	DRAIN TRAP	01/01/2004-
006	029	3278360	FILTER	13/02/2015-
006	030	3045960	GASKET	01/01/2004-
006	031	36A3401		04/12/2013-
006	032	36E3320	SIPHON GASKET	01/01/2004-
006	033	30Z3001	EXHAUST UNION, COMPLETE	01/01/2004-
006	034	3041830	PRESSURESTAT	01/01/2004-
006	035	3032890	CONNECTOR	01/01/2004-
006	036	33D1680	MANOMETRE 0-40BAR M1/8	01/01/2004-
006	038	3032670	"SOLENOID VALVE 3/4"" 1IN-2OUT"	01/01/2004-
006	039	33Q5650	SOCKET F3/4 M1/2 Ø30X25	01/01/2004-
006	040	33D1650	"PRES. REDUC. VAL. F-F Ø 1/2"""	01/01/2004-
006	041	33Q5641	ENTRY CONNECTOR H2O	01/01/2004-
006	042	3012660	H2O FILTER 1/2"	01/01/2004-
006	043	3032900	SPACER	01/01/2004-
006	044	30Z2050	PIPE AISI304 Ø12- 159X77	01/01/2004-
006	045	36Q1171	LOCKNUT M16X1.5	01/01/2004-
006	046	3152360	WASHER 3/8" 3/8" Ø22-Ø17.2=1.5 CU/NI	01/01/2004-
006	047	3151441	WASHER Ø22Ø16.2=1.5 CU	01/01/2004-
006	048	131AA34	MESH-REINFORCED PVC HOSE Ø16-Ø10	01/01/2004-
006	049	3032950	JET	01/01/2004-
006	050	3003390	"NIPPLE M 1/2"""	01/01/2004-
006	051	33Q6650	UNION	01/01/2004-
006	052	36E4330	UNION	01/01/2004-
006	053	3032690	BRACKET	01/01/2004-
006	054	6020180	WATER INTAKE UNIT	01/06/2010-
006	055	6017390	WATER INTAKE UNIT	01/01/2004-
006	056	111AA08	RUBBER HOSE Ø60 Ø50	01/01/2004-
006	057	33M0350	PIPE	10/10/2004-
007	001	35E9090	EL. BOARD	01/01/2004-
007	003	32V6151	PCB	01/01/2006-
007	004	32D1450	TERMINAL	01/01/2004-
007	005	32X0120	GROMMETØ 21	01/01/2004-
007	006	32V5930	TRANSFORMER	01/01/2004-
007	007	32D0730	COCK MF 1" 480V	01/01/2004-
007	008	3100940	RELAY BF09 230V- 50/60Hz-25(9)A	08/11/2010-
007	009	32V6200	FUSE TERMINAL 10x38	01/01/2004-
007	010	32D1000	GROUND TERMINAL	01/01/2004-
007	011	32D1170	TERMINAL END COVER	01/01/2004-
007	012	32D1160	LIVE TERMINAL	01/01/2004-

Page	Pos	Code	Description	Info
007	013	32D0870	TERMINAL CLAMP	01/01/2004-
007	014	32X0130	GROMMET Ø29-Ø37	01/01/2004-
007	015	3100930	RELAY	01/01/2008-
007	016	32Z0950	RELAY 2-3.3A	01/01/2004-
007	017	32V2550	RELAY 0,6-1,0 A	01/01/2004-
007	018	32V6550	RELAY 230V-20A-	01/01/2004-
007	019	36Q1940	50/60Hz HOLE PLUG	01/01/2004-
007	020	32D1780	FAIRLEAD	01/01/2004-
007	021	32X0380	ADHESIVE PLATE	01/01/2004-
007	022	35S5420	""OMEGA"" BRACKET"	01/01/2004-
007	023	32V6210	FUSE	01/01/2004-
007	024	32Z7170	INDEP. ASSEMBLY SUPPORT	01/01/2004-
007	025	32D1870	\ "OMEGA\ " BRACKET	01/01/2004-
008	001	51AD938	TROLLEY	01/01/2004-
008	002	30Q2711	BOTTOM FRAME	01/01/2004-
008	003	3003151	SCREEN GRILLE	16/11/2007-
008	004	30Q2690	END PIPE, COMPLETE	01/01/2004-
008	005	3007041	CHAMBER AIR GUIDE	07/09/2010-
008	006	32G1711	HEATING EL.	01/01/2004-
008	007	37Q3220	GASKET	01/01/2004-
008	008	35E6650	HEAT ELEMENT BRACKET	01/01/2004-
008	009	35E7420	HEAT ELEMENT BRACKET	01/01/2004-
008	010	3190040	SCREW M6X20	01/01/2004-
008	011	3033440	SCREW TE M6X10	01/01/2004-
008	012	3016470	SCREW M10X35	01/01/2004-
008	013	3004791	DIFFUSER	01/01/2004-
008	014	32M6722	MOTOR LEVEL 1-2	01/01/2004-
008	014	32M6802	MOTOR	01/01/2004-
008	015	37Q0250	GASKET	01/01/2004-
008	016	3004400	GASKET	01/01/2004-
008	017	36E3160	RING GASKET	01/01/2004-
008	018	32M6760	SUPPORT RADIAL FAN	01/01/2004-
008	019	36H0890	BUSHING	01/01/2004-
008	020	35Y3260	WATER INTAKE JOINT	01/01/2004-
008	021	3014810	WASHER Ø30Ø10.5=2.5	01/01/2004-
008	022	3019001	WASHER	26/10/2004-
008	023	3120390	WASHER	01/01/2004-