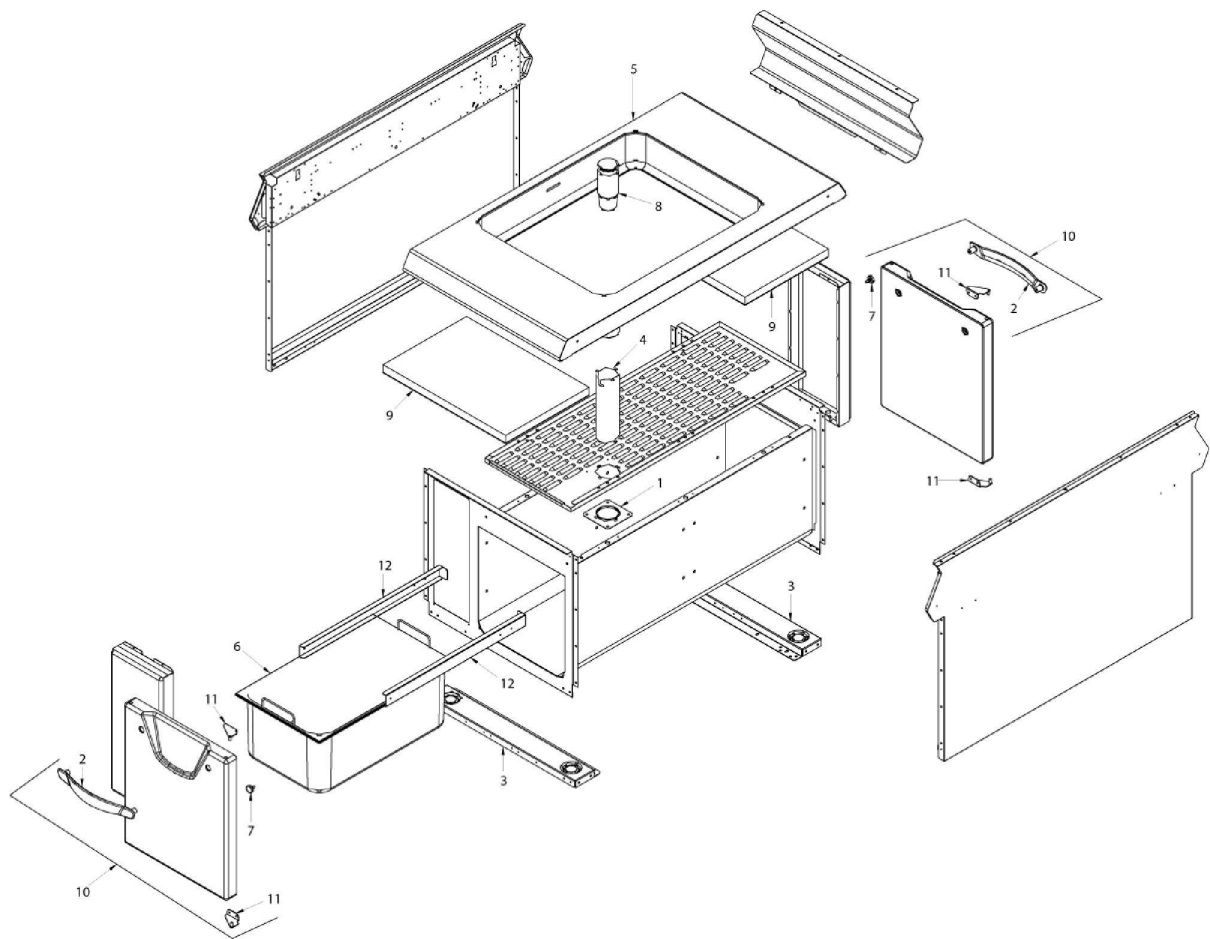
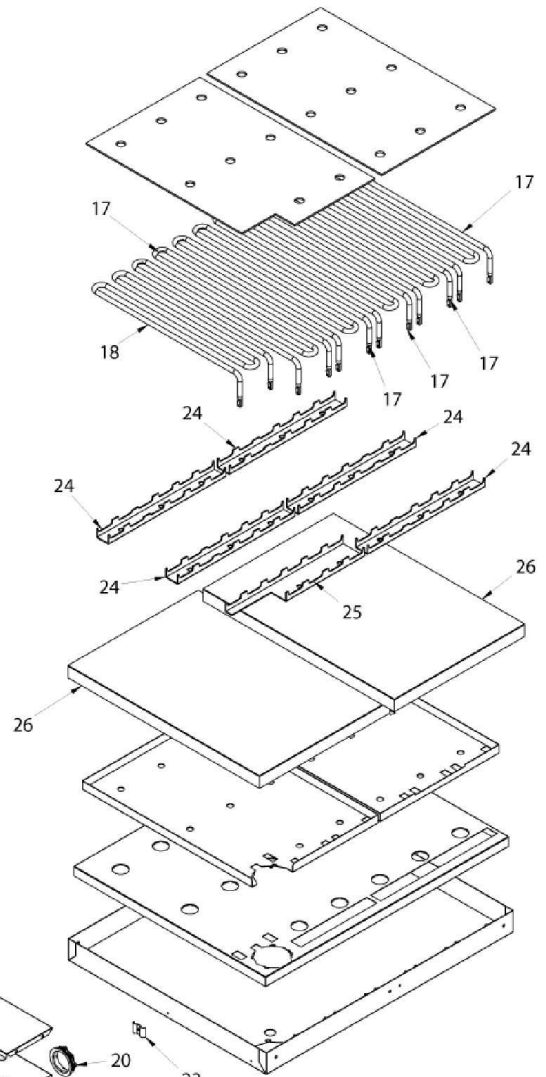
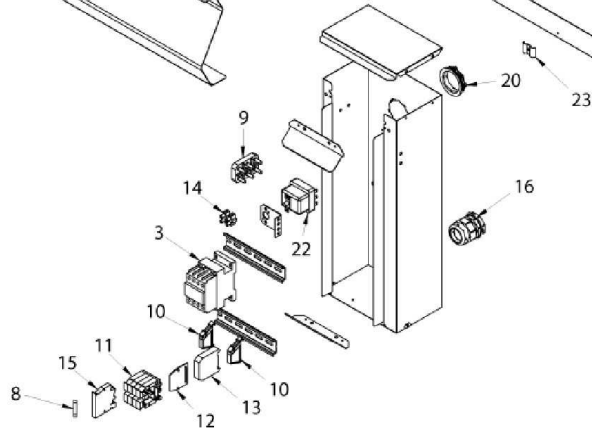
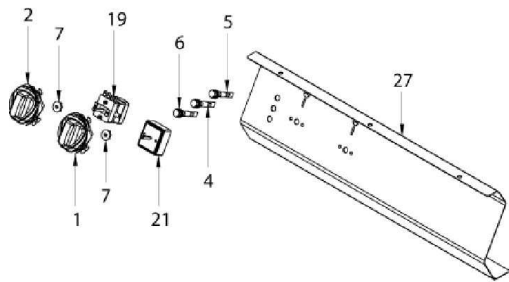




06WBR3E

Edition 20131008-





Page	Pos	Code	Description	Info
002	001	3002141	PLATE	01/02/2008-
002	002	3010573	HANDLE	04/10/2013-
002	003	3012350	PROFILE OMEGA	01/02/2008-
002	004	3014540	DRAIN PIPE	01/02/2008-
002	005	3134170	SHELF	01/02/2008-
002	006	3139400	TRAY GN1/1 H=200	01/02/2008-
002	007	3600090	MAGNET PLATE	01/02/2008-
002	008	36C5200	PLUG	01/02/2008-
002	009	37Q4880	INSULANTING PANEL	01/02/2008-
002	010	6029880	DOOR ASS.Y	20/06/2012-
002	011	6029110	HINGE ASSEMBLY	19/05/2010-
002	012	3134140	CONTAINER SLIDE	01/02/2008-
003	001	3015791	HANDLE	01/02/2008-
003	002	3015871	ELECTRIC CONTROL KNOB	01/02/2008-
003	003	3100920	RELAY BF25 230V- 50/60Hz-32(25)A	01/02/2008-
003	004	3106710	GREEN LIGHT 230V	01/02/2008-
003	005	3106720	RED LIGHT 230V	01/02/2008-
003	006	3106730	ORANGE LIGHT 230V	01/02/2008-
003	007	3152240	THERMOSTAT PROTECT.	01/02/2008-
003	008	3200020	FUSE 5X20	01/02/2008-
003	009	32D0030	TERMINAL BOARD	01/02/2008-
003	010	32D0870	TERMINAL CLAMP	01/02/2008-
003	011	32D0950	LIVE TERMINAL	01/02/2008-
003	012	32D0960	TERMINAL END COVER	01/02/2008-
003	013	32D0970	GROUND TERMINAL	01/02/2008-
003	014	32D1450	TERMINAL	01/02/2008-
003	015	32D1730	FUSE TERMINAL BOARD	01/02/2008-
003	016	32D1780	FAIRLEAD	01/02/2008-
003	017	32G3210	HEATING ELEMENT	01/02/2008-
003	018	32G3330	HEAT.ELEM. 1500W- 230V	01/02/2008-
003	019	32V6510	THERMOSTAT 50-310°	01/02/2008-
003	020	32X0210	C 1F GROMMET	01/02/2008-
003	021	32Z0171	VOLTAGE REGULATOR	01/02/2008-
003	022	32Z9202	SAFETY THERMOSTAT	01/02/2008-
003	023	35T3540	BULB HOLDER	01/02/2008-
003	024	35U5531	SLIDE	08/10/2013-
003	025	35U7720	SLIDE	01/02/2008-
003	026	37Q4880	INSULANTING PANEL	01/02/2008-
003	027	3134150	UPPER CONTROL BOARD	01/02/2008-