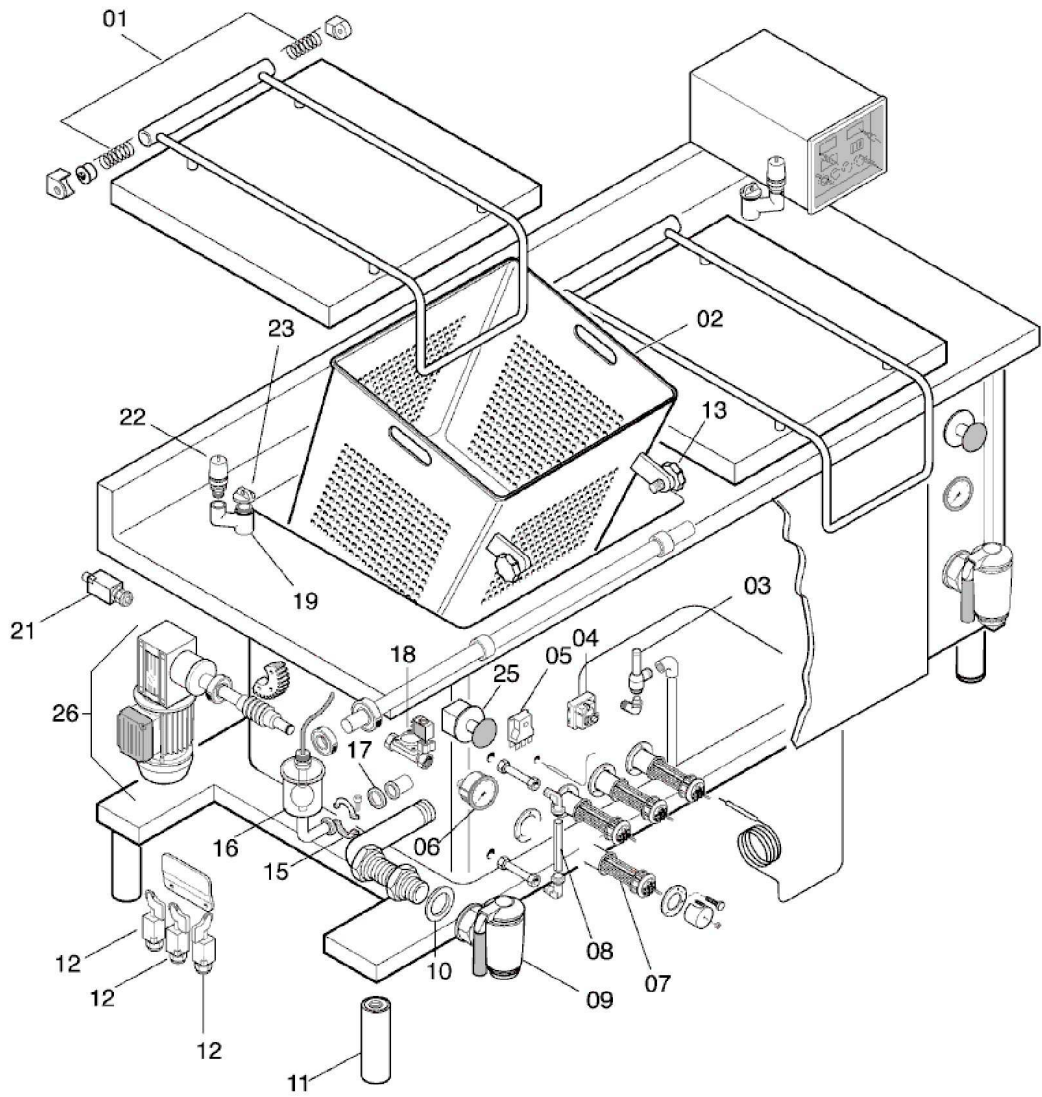
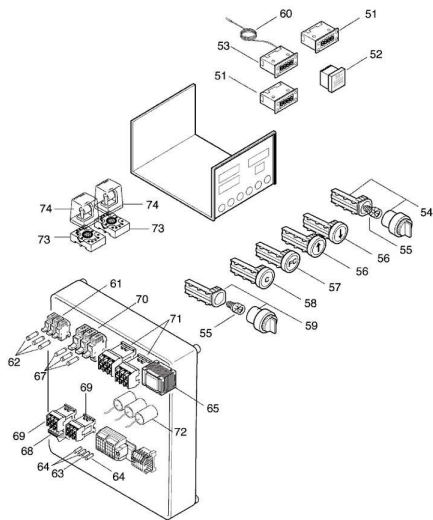




MCF40E

Edition 20081001-





| Page | Pos | Code | Description | Info |
|------|-----|----------------|------------------------------------|-------------|
| 002 | 001 | 36H0950 | COUPLE HINGE SPRINGS | 01/01/2006- |
| 002 | 002 | 36A2940 | BASKET 20 Kg | 01/01/2006- |
| 002 | 003 | 3114210 | PRESS. RELEASE VALVE 3/4 | 01/01/2006- |
| 002 | 004 | 32V0320 | SAFETY THERMOSTAT | 01/01/2006- |
| 002 | 005 | 32V1790 | PRESSURE-SWITCH | 01/01/2006- |
| 002 | 006 | 3176170 | PRESSURE GAUGE 0-1 BAR | 01/01/2006- |
| 002 | 007 | 32G0310 | HEATING ELEMENT 6KW - 230V | 01/01/2006- |
| 002 | 007 | 32G2750 | HEATING ELEMENT 8KW | 01/01/2006- |
| 002 | 008 | 37N1430 | PIPE | 01/01/2006- |
| 002 | 009 | 33D2291 | "DRAIN COCK 2"" | 01/10/2008- |
| 002 | 010 | MCF40E-Pos.010 | WASHER | 01/01/2006- |
| 002 | 011 | MCF40E-Pos.011 | FOOT 1-1/2" | 01/01/2006- |
| 002 | 012 | 3024740 | MICROSWITCH | 01/01/2006- |
| 002 | 013 | 36M7310 | HANDLE | 01/01/2006- |
| 002 | 015 | MCF40E-Pos.015 | COUPLE JAWS | 01/01/2006- |
| 002 | 016 | 3111810 | WATER LEVEL SENSOR | 01/01/2006- |
| 002 | 017 | MCF40E-Pos.017 | GASKET | 01/01/2006- |
| 002 | 018 | 3114530 | ELECTRIC VALVE 3/4"- 24V | 01/01/2006- |
| 002 | 019 | MCF40E-Pos.019 | EXPANSION BOX 3/8" | 01/01/2006- |
| 002 | 021 | 32W1770 | MICROSWITCH | 01/01/2006- |
| 002 | 022 | MCF40E-Pos.022 | VACUUM VALVE 1/2" | 01/01/2006- |
| 002 | 023 | 36C4410 | Plug | 01/01/2006- |
| 002 | 025 | 3030920 | STOP PUSH BUTTON | 01/01/2006- |
| 002 | 026 | 3025430 | SPEED REDUCER | 01/06/2006- |
| 003 | 051 | 32Z8130 | TIMER | 01/01/2006- |
| 003 | 052 | 32Z4870 | BUZZER | 01/01/2006- |
| 003 | 053 | 32Z8120 | THERMOREGULATOR | 01/01/2006- |
| 003 | 054 | 32W1780 | SWITCH 1-0-2 | 01/01/2006- |
| 003 | 055 | 32W1830 | WARNING LAMP | 01/01/2006- |
| 003 | 056 | 32W1820 | PUSH BUTTON | 01/01/2006- |
| 003 | 057 | 32W1800 | PUSH BUTTON | 01/01/2006- |
| 003 | 058 | 32W1790 | PUSH BUTTON | 01/01/2006- |
| 003 | 059 | 32W1810 | SWITCH ON-OFF | 01/01/2006- |
| 003 | 060 | 32Z8140 | PROBE | 01/01/2006- |
| 003 | 061 | MCF40E-Pos.061 | FUSE HOLDER | 01/01/2006- |
| 003 | 062 | 3114620 | FUSE 2A 10x38 | 01/01/2006- |
| 003 | 063 | MCF40E-Pos.063 | FUSE 4A T 5x20 | 01/01/2006- |
| 003 | 064 | MCF40E-Pos.064 | FUSE 500mA T 5x20 | 01/01/2006- |
| 003 | 065 | MCF40E-Pos.065 | TRANSFORMER 230- 400/12-0-12V 50VA | 01/01/2006- |
| 003 | 067 | MCF40E-Pos.067 | FUSE 40A GL 14x51 | 01/01/2006- |
| 003 | 068 | 3114610 | THERMIC RELAY | 01/01/2006- |
| 003 | 069 | 3114550 | RELAY | 01/01/2006- |
| 003 | 070 | MCF40E-Pos.070 | FUSE HOLDER | 01/01/2006- |
| 003 | 071 | MCF40E-Pos.071 | RELAY | 01/01/2006- |
| 003 | 072 | 3114540 | THREE CAPACITOR | 01/01/2006- |
| 003 | 073 | 3012810 | RELAY HOLDER | 01/01/2006- |
| 003 | 074 | 3012800 | RELAY | 01/01/2006- |