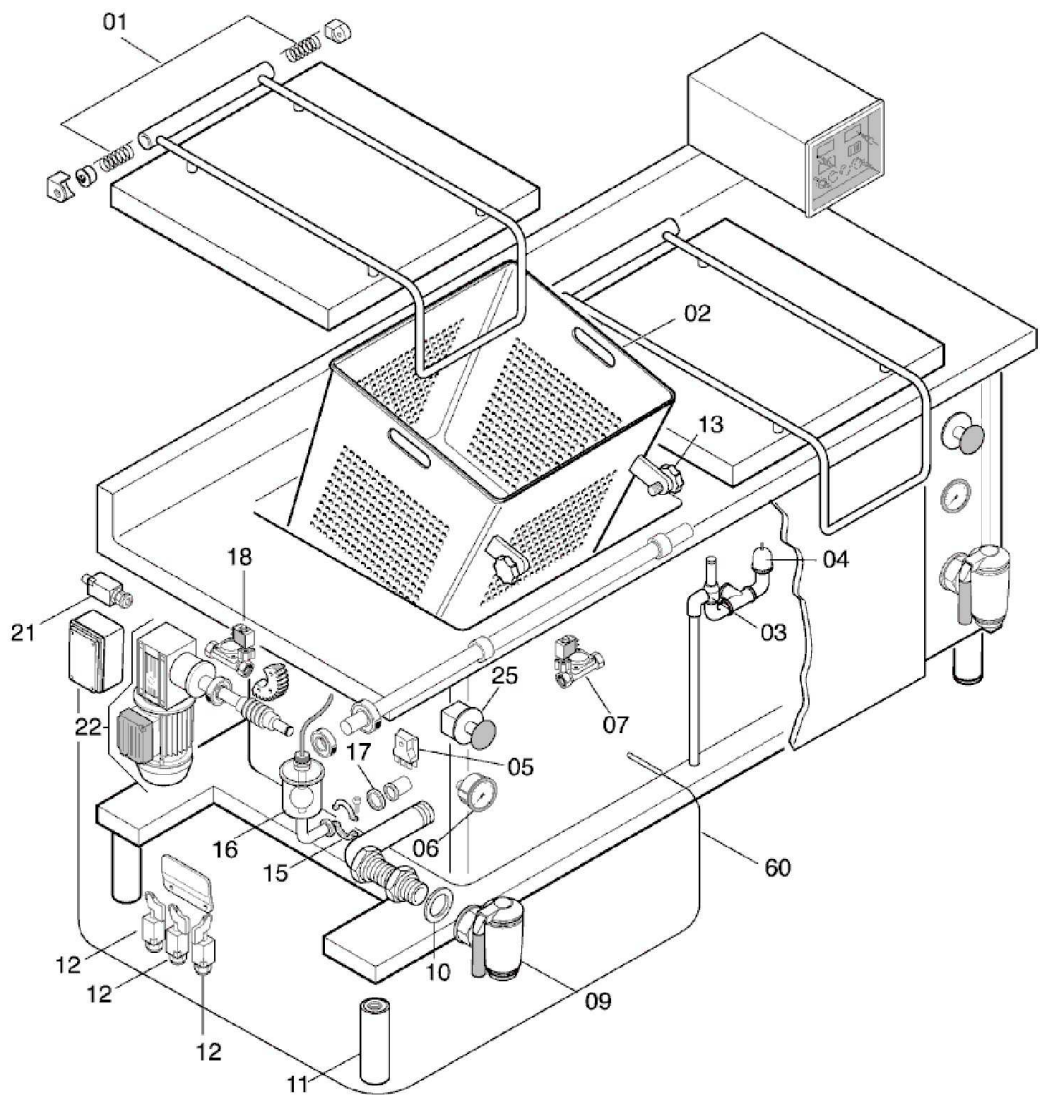
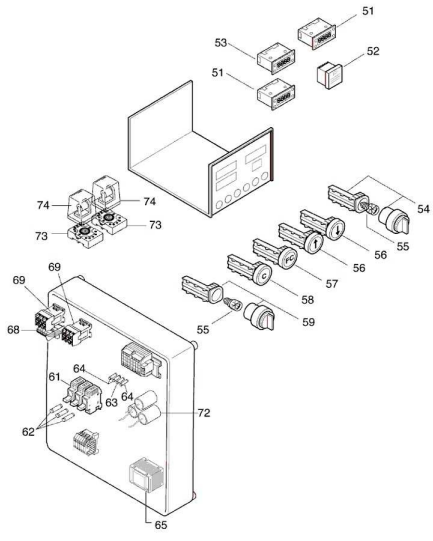




MCF40V

Edition 20081001-





Page	Pos	Code	Description	Info
002	001	36H0950	COUPLE HINGE SPRINGS	01/01/2006-
002	002	36A2940	BASKET 20 Kg	01/01/2006-
002	003	3114210	PRESS. RELEASE VALVE 3/4	01/01/2006-
002	004	33G0170	VACUUM VALVE 3/4"	01/01/2006-
002	005	32V1790	PRESSURE-SWITCH	01/01/2006-
002	006	3176170	PRESSURE GAUGE 0-1 BAR	01/01/2006-
002	007	33D2490	ELECTRIC VALVE 3/4"	01/01/2006-
002	008	3030920	STOP PUSH BUTTON	01/01/2006-
002	009	33D2291	"DRAIN COCK 2"""	01/10/2008-
002	010	MCF40V-Pos.010	WASHER	01/01/2006-
002	011	MCF40V-Pos.011	FOOT 1-1/2"	01/01/2006-
002	012	3024740	MICROSWITCH	01/01/2006-
002	013	36M7310	HANDLE	01/01/2006-
002	015	MCF40V-Pos.015	COUPLE JAWS	01/01/2006-
002	016	3111810	WATER LEVEL SENSOR	01/01/2006-
002	017	MCF40V-Pos.017	GASKET	01/01/2006-
002	018	3114530	ELECTRIC VALVE 3/4"- 24V	01/01/2006-
002	021	32W1770	MICROSWITCH	01/01/2006-
002	022	3025430	SPEED REDUCER	01/06/2006-
003	051	32Z8130	TIMER	01/01/2006-
003	052	32Z4870	BUZZER	01/01/2006-
003	053	32Z8120	THERMOREGULATOR	01/01/2006-
003	054	32W1780	SWITCH 1-0-2	01/01/2006-
003	055	32W1830	WARNING LAMP	01/01/2006-
003	056	32W1820	PUSH BUTTON	01/01/2006-
003	057	32W1800	PUSH BUTTON	01/01/2006-
003	058	32W1790	PUSH BUTTON	01/01/2006-
003	059	32W1810	SWITCH ON-OFF	01/01/2006-
003	060	32Z8140	PROBE	01/01/2006-
003	061	MCF40V-Pos.061	FUSE HOLDER	01/01/2006-
003	062	3114620	FUSE 2A 10x38	01/01/2006-
003	063	MCF40V-Pos.063	FUSE 4A T 5x20	01/01/2006-
003	064	MCF40V-Pos.064	FUSE 500mA T 5x20	01/01/2006-
003	065	MCF40V-Pos.065	TRANSFORMER 230- 400/12-0-12V 50VA	01/01/2006-
003	068	3114610	THERMIC RELAY	01/01/2006-
003	069	3114550	RELAY	01/01/2006-
003	072	3114540	THREE CAPACITOR	01/01/2006-
003	073	3012810	RELAY HOLDER	01/01/2006-
003	074	3012800	RELAY	01/01/2006-