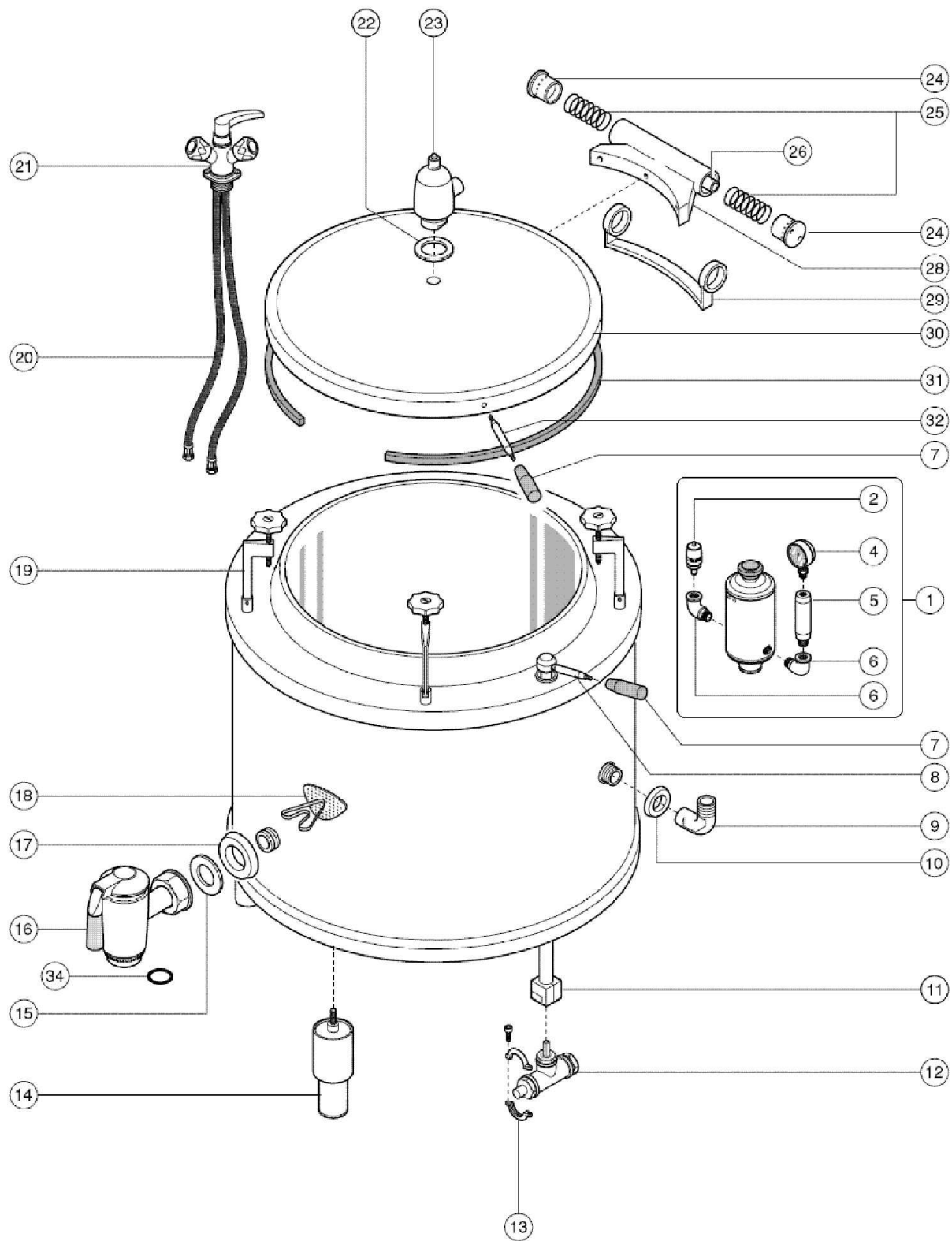




PV200A

Edition 20081001-



Page	Pos	Code	Description	Info
002	001	3006310	"PRESS. RELEASE VALVE 3/4"" 0,5B"	30/04/2003-
002	002	33G0650	VACUUM VALVE	30/04/2003-
002	004	32Z0060	PRESSURE GAUGE 0-1 BAR	30/04/2003-
002	005	33G1130	SUPPORT	30/04/2003-
002	006	3022270	ELBOW MF 3/8"	30/04/2003-
002	007	3173750		01/01/2000-
002	008	PV200A-Pos.008	HANDLE	30/04/2003-
002	009	PV200A-Pos.009	ELL M-F 3/4"	30/04/2003-
002	010	PV200A-Pos.010	WASHER 3/4"	30/04/2003-
002	011	PV200A-Pos.011	COCK HANDLE ASS. Y	30/04/2003-
002	012	3027700	STEAM COCK 1"1/4	30/04/2003-
002	013	PV200A-Pos.013	TERMINAL BOARD	30/04/2003-
002	014	PV200A-Pos.014	FOOT	30/04/2003-
002	015	37Q4070	GASKET	01/01/2000-
002	016	33D2291	"DRAIN COCK 2"""	01/10/2008-
002	017	PV200A-Pos.017	WASHER	30/04/2003-
002	018	PV200A-Pos.018	FILTER	30/04/2003-
002	019	36M6060	LID CLAMP	01/01/2000-
002	020	PV200A-Pos.020	FLEXIBLE PIPE 3/8"M x 1/2F L=800	30/04/2003-
002	021	3FL0157	MIXER ASSEMBLY	01/01/2000-
002	022	PV200A-Pos.022	GASKET	02/05/2003-
002	023	33G0151	PRESS. RELEASE VALVE	29/10/2007-
002	024	3037810	STOPPER	01/01/2000-
002	025	36G9970	COUPLE HINGE SPRINGS	01/01/2000-
002	026	3040370	PIPE	30/04/2003-
002	028	3040380	HINGE	01/01/2000-
002	029	3037830	HINGE SUPPORT	01/01/2000-
002	030	PV200A-Pos.030	PAN LID	01/01/2000-
002	031	37Q4240	GASKET	01/01/2000-
002	032	3271130	HANDLE	30/04/2003-
002	034	3152331	"OR" GASKET FOR	30/04/2003-