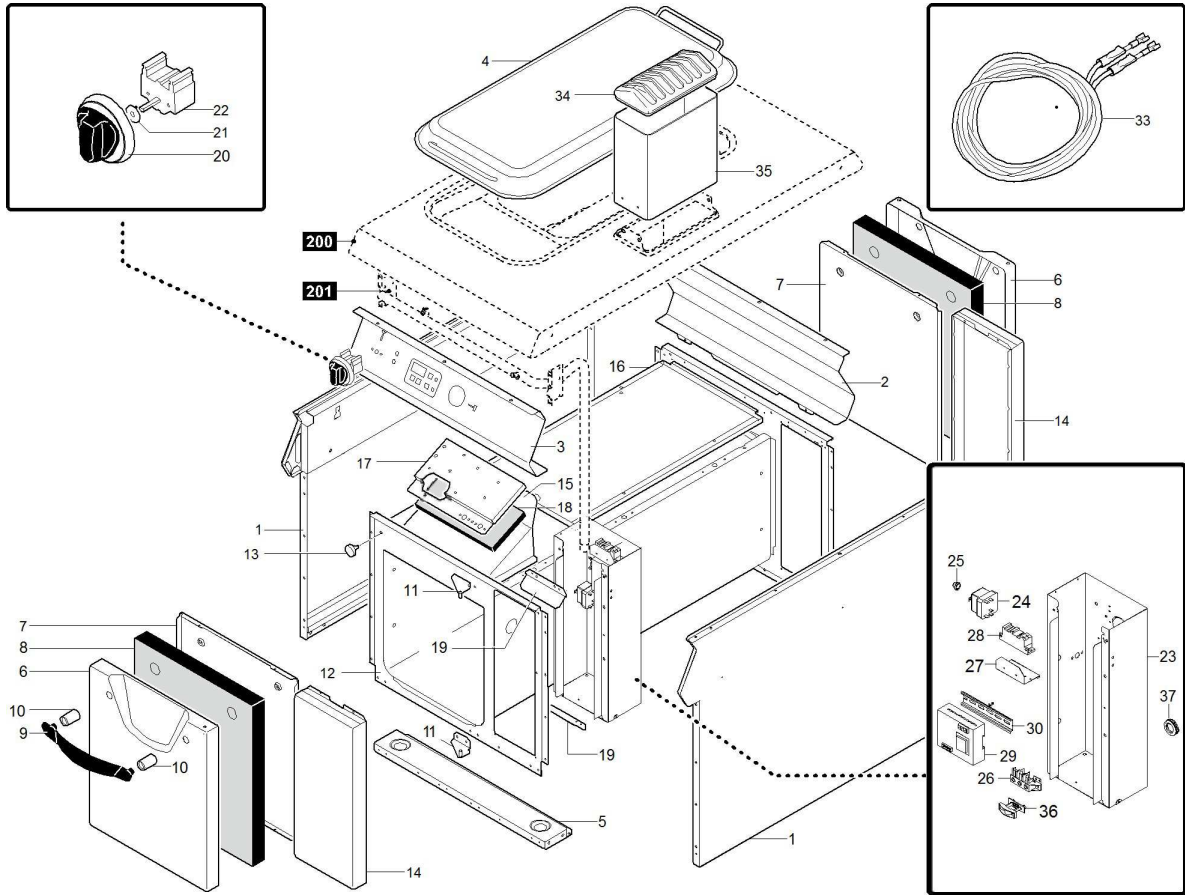
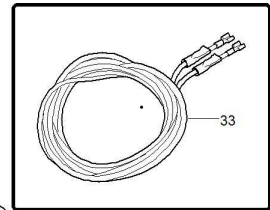
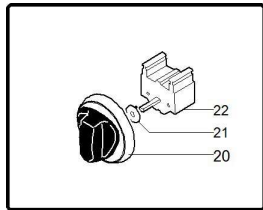
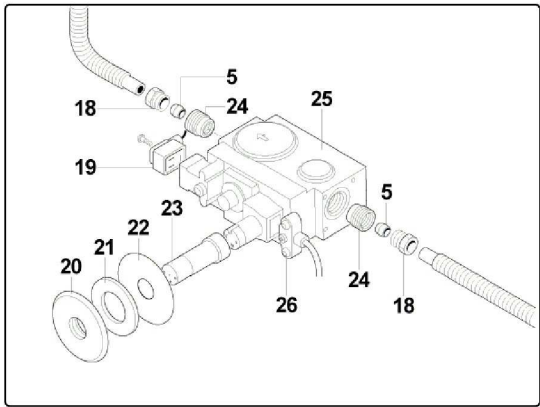
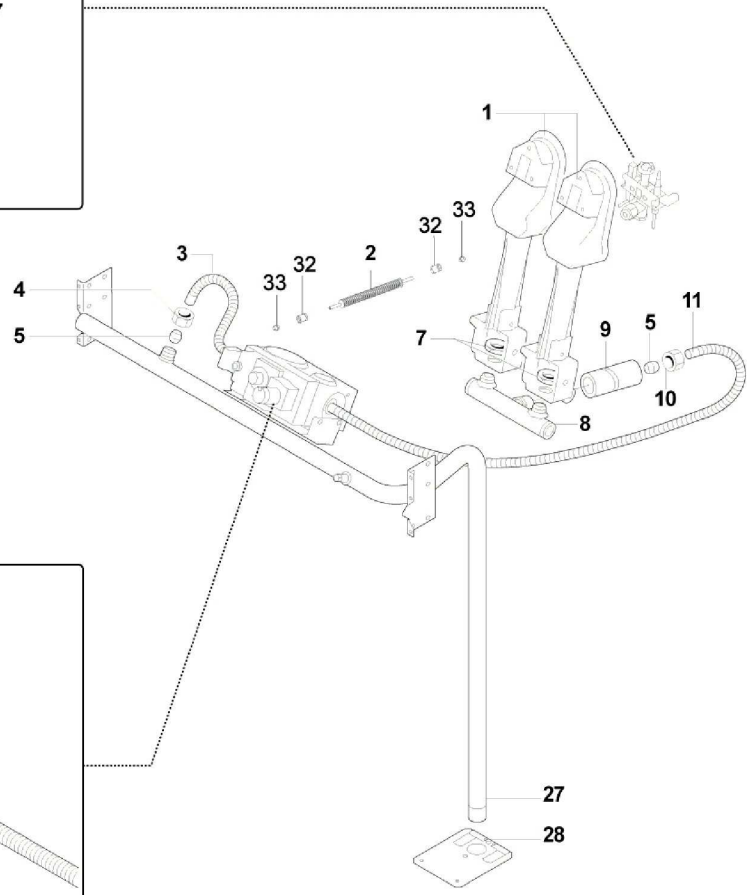
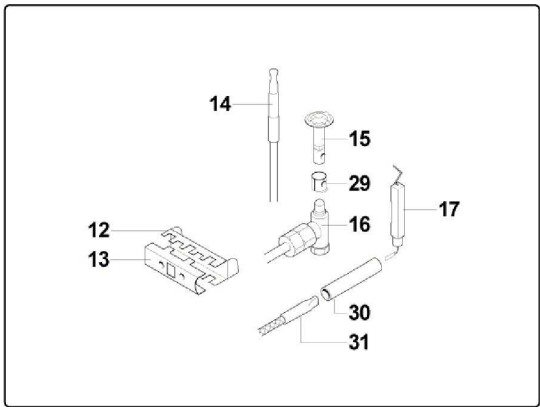


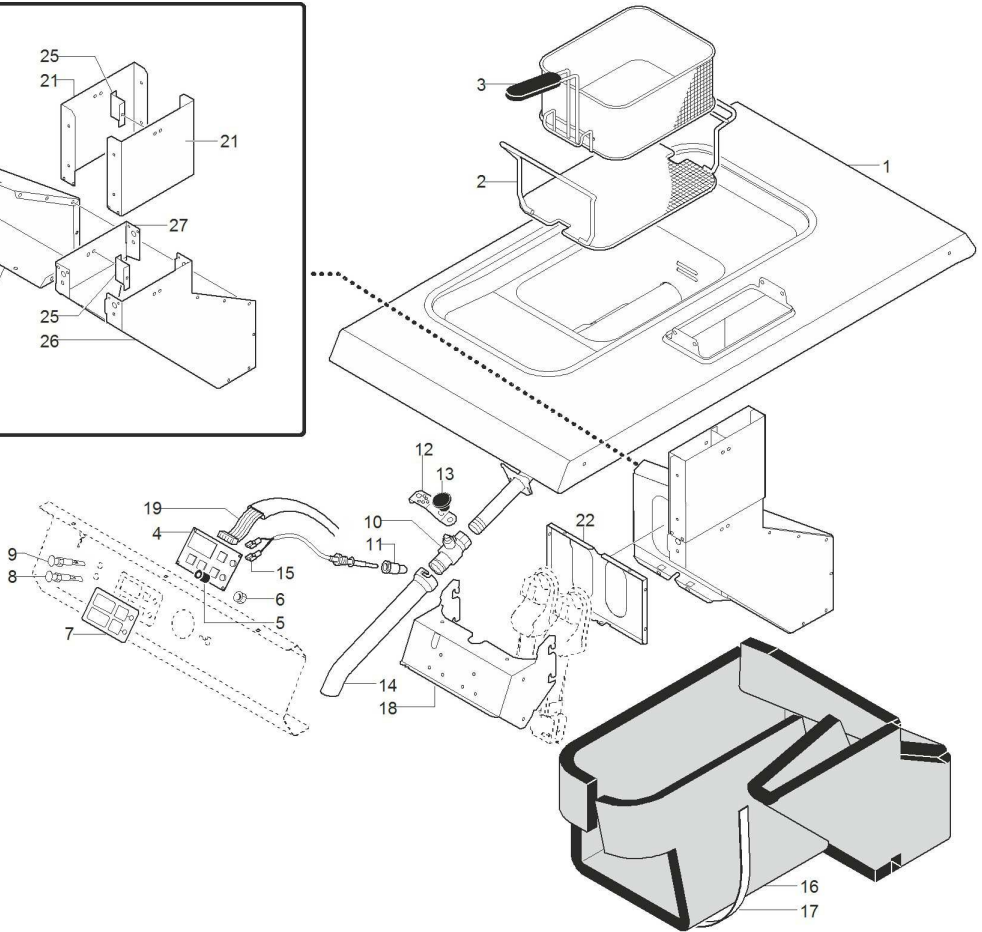
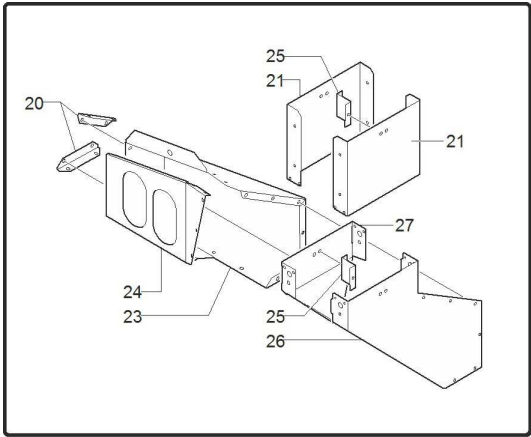


06WFR3GD

Edition 20140611-







Page	Pos	Code	Description	Info
002	001	3012210	PANEL RIGHT LEFT	16/07/2004-
002	002	3020340	UPPER CONTROL BOARD	16/07/2004-
002	003	3020260	CONTROL PANEL	16/07/2004-
002	004	3104540	LID	30/10/2007-
002	005	3012350	PROFILE OMEGA	16/07/2004-
002	006	3177270	OVAL DOOR	19/05/2010-
002	007	3010510	COUNTER DOOR	16/07/2004-
002	008	3011060	INSULANTING PANEL	16/07/2004-
002	009	3010573	HANDLE	04/10/2013-
002	010	3011050	SPACER	16/07/2004-
002	011	6029110	HINGE ASSEMBLY	19/05/2010-
002	012	3011990	CABINET COVERING	16/07/2004-
002	013	3600090	MAGNET PLATE	16/07/2004-
002	014	3217650	PANEL	24/01/2012-
002	015	3017020	PANEL	16/07/2004-
002	016	3020550	CUP BOARD CEILING	16/07/2004-
002	017	3016750	SUPPORT	16/07/2004-
002	018	3020570	INSULANTING PANEL	16/07/2004-
002	019	3032860	PARA-SPRINKLES	16/07/2004-
002	020	3015851	ELECTRIC CONTROL KNOB	12/03/2008-
002	021	3150790	THERMOSTAT PROTECT.	16/07/2004-
002	022	32W0490	SWITCH	16/07/2004-
002	023	3032322	PROTECTION	03/09/2008-
002	024	3225612	SAFETY THERMOSTAT	04/12/2008-
002	025	37Q3270	SWITCH COVER	16/07/2004-
002	026	32D0171	TERMINAL BOARD	16/07/2004-
002	027	3020270	PROTECTION	16/07/2004-
002	028	32T0210	SPARK IGNITION DEVICE	16/07/2004-
002	029	3229090	ELECTONIC CONTROL	16/07/2004-
002	030	32D0630	"OMEGA" BRACKET	03/09/2008-
002	033	3020951	EL. CABLES	03/09/2008-
002	034	3018761	ENAMELLED FLUE GUARD	14/01/2013-
002	035	3010430	COO. FLUE 800 MM ASS. Y	16/07/2004-
002	036	32D1820	CABLE CLAMP	03/09/2008-
002	037	32X0120	GROMMETØ 21	03/09/2008-
002	200	M021670	M.TOP	16/07/2004-
002	201	M021330	M.CONB.CHAMBER COMPL.	16/07/2004-
003	001	3007720	BURNER 8 KW	16/07/2004-
003	002	3079320	FLEXIBLE PIPE L=750	10/01/2008-
003	003	3014330	FLEXIBLE PIPE DN10 L=600	16/02/2006-
003	004	36Q0830	BICONE NUT Ø 10	16/07/2004-
003	005	36Q0080	BICONE Ø 10X6.5	16/07/2004-
003	007	36Q1110	LOCK NUT 3/8"	16/07/2004-
003	008	3072810	GAS MANIFOLD	23/06/2006-
003	009	111AA05	RUBBER HOSE Ø30 Ø20	16/07/2004-
003	010	36Q0610	BICONE SCREW Ø10	16/07/2004-
003	011	3029630	FLEXIBLE PIPE DN10 L=800	16/07/2004-
003	012	35Y3410	SUPPORT BURNER	16/07/2004-
003	013	33A0950	REAR BRACKET	16/07/2004-
003	014	6021770	INTERRUPTED THERMOC.	24/01/2007-
003	015	33A1081	M9X1X1000 CAB THREE-FLAME BURNER	24/04/2008-

Page	Pos	Code	Description	Info
003	016	33A0690	PILOT BURNER BODY Ø0,40	16/07/2004-
003	016	33A0960	PILOT BURNER BODY Ø0,25	16/07/2004-
003	017	32T0010	IGNITION PLUG	27/01/2010-
003	018	3032790	"BICONE SCREW Ø3/8"" G"	16/07/2004-
003	019	32D1430	CONNECTOR	16/07/2004-
003	020	3029250	RING	16/07/2004-
003	021	3127820	STOP RING Ø 30	15/11/2007-
003	022	3152460	GAS VALVE	16/07/2004-
003	023	3227400	PROTECTION HANDLE EXTENSION	31/07/2012-
003	024	33Q2571	"REDUCTION MF 3/8""-1/2"""	16/07/2004-
003	025	33A0460	"GAS THERMOST. NOVASIT 820 1/2"""	16/07/2004-
003	026	33A0020	COMPL. VALVE	16/07/2004-
003	027	3018250	GAS MANIFOLD ASS. Y	16/07/2004-
003	028	3031471	PLATE	16/07/2004-
003	029	33A0970	RING NUT	16/07/2004-
003	030	131AA46	HOSE 8'X40	16/07/2004-
003	031	32A0390	CABLE "HF" 1200MM	16/07/2004-
003	032	36Q1000	CLOSING BICONE NUT Ø4	10/01/2008-
003	033	36Q1040	BICONE Ø4	10/01/2008-
004	001	3016720	TOP WELL ASS. Y	16/07/2004-
004	002	3020590	BOTTOM PLATE	16/07/2004-
004	003	3007210	BASKET 283x225x115	17/07/2007-
004	004	32V0780	BOARD	16/07/2004-
004	005	36C0970	SPACER	16/07/2004-
004	006	3110080	NUT	16/07/2004-
004	007	37M8560	CONTROL PANEL	16/07/2004-
004	008	3106730	ORANGE LIGHT 230V	23/05/2007-
004	009	3106710	GREEN LIGHT 230V	23/05/2007-
004	010	33D1770	BALL VALVE	16/07/2004-
004	011	36C2920	PROBE CONNECTOR	16/07/2004-
004	012	35G7250	RH COCK HANDLE	16/07/2004-
004	013	36M5430	HANDLE	16/07/2004-
004	014	3268960	DRAIN PIPE	11/06/2014-
004	015	32V0030	THERMISTOR PROBE	16/07/2004-
004	016	3031920	INSULANTING PANEL	16/07/2004-
004	017	36E0780	HOSE CLAMP	16/07/2004-
004	018	6023260	ASSEMBLY CONB.CHAMBER	11/10/2004-
004	019	32A2290	ELECTRIC CABLE	16/07/2004-
004	020	3032741	PROFILE	16/07/2004-
004	021	3030770	FLUE	16/07/2004-
004	022	6023260	ASSEMBLY CONB.CHAMBER	18/09/2006-
004	023	3016353	AIR CONVEYOR	04/10/2007-
004	024	3016330	TERMIC SCREEN	16/07/2004-
004	025	3016390	SPACER	16/07/2004-
004	026	3016412	FLUE	04/10/2007-
004	027	3016400	FLUE	16/07/2004-
004	028	3150690	"O" RING	16/07/2004-