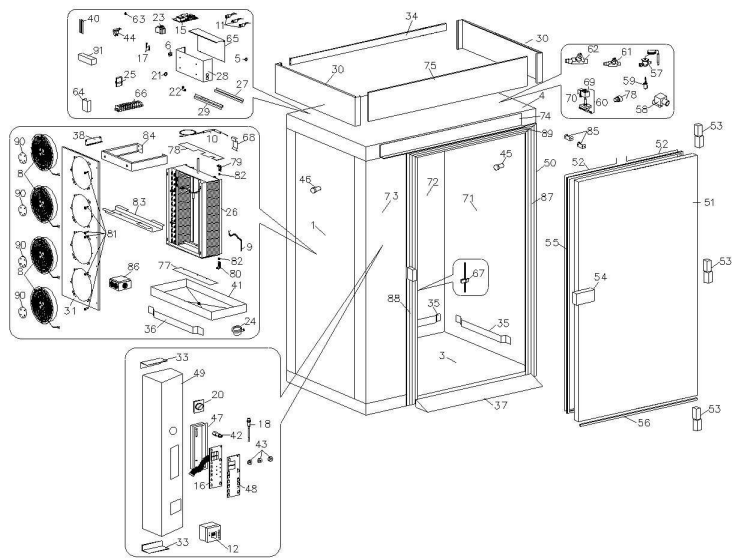




**SM14SR**

**Edition 20040703-**



Pos	Code	Description	Info
001	30A4360	SIDE PANEL	15/05/2000-
002	30A4340	REAR PANEL	15/05/2000-
003	30D6110	BOTTOM PANEL	15/05/2000-
004	30G3930	CEILING PANEL	15/05/2000-
005	32D0220	CABLE CLAMP Ø 16	15/05/2000-
006	32D1350	CABLE CLAMP	15/05/2000-
008	32M7050	FAN	03/07/2004-
009	32V0150	TEMP. PROBE	15/05/2000-
010	32V0441	PIN PROBE	15/05/2000-
011	32V5380	CONDENSER	03/07/2004-
012	32V7460	THERMIC PRINTER	03/07/2004-
015	32V3040	ELECTRONIC CARD	15/05/2000-
016	32V3050	ELECTRONIC CARD (NR. 2 DISPLAY	15/05/2000-
017	32V4240	FUSES	15/05/2000-
018	32W1890	MICROSWITCH	15/05/2000-
020	32W3650	THREE-POLE SWITCH	15/05/2000-
021	32X0120	GROMMET Ø 21	15/05/2000-
022	32X0220	FAIRLEAD	15/05/2000-
023	32Z9500	FUSE-HOLDER	15/05/2000-
024	3300320	EXHAUST RAMMER	15/05/2000-
025	33Q4390	COUPLING TUBES	15/05/2000-
026	34D8110	EVAPORATOR	15/05/2000-
027	35C5830	GUIDE	15/05/2000-
028	35C6380	PANEL BOARD	15/05/2000-
029	35C7250	GUIDE	15/05/2000-
030	35G8830	HEAD	15/05/2000-
031	3AA4180	EVAP. GUARD	15/12/2000-
033	35R8590	INSTRUMENT BOARD HOLDER	15/05/2000-
034	35R8560	BOTTOM BRACKET	15/05/2000-
035	35R8720	CARRIAGE DRIVING BAR	15/05/2000-
036	35R8710	CARRIAGE DRIVING BAR	15/05/2000-
037	35R8390	ACCESS RAMP	15/05/2000-
038	35R8960	SUPPORT	15/05/2000-
040	35S4540	"OMEGA" BRACKET	15/05/2000-
041	35W5150	DRAIN BOWL	15/05/2000-
042	36C2750	SPACER	15/05/2000-
043	36E0340	SPACER	15/05/2000-
044	36E0350	CABLE CAMP	15/05/2000-
045	36Q1740	PLUG	15/05/2000-
046	36Q1750	PLUG	15/05/2000-
047	36Z1140	CARD PROTECTION	15/05/2000-
048	37N0470	SILK-SCREE.PANEL	15/05/2000-
049	3AA5230	CONTROL BOARD	18/10/2002-
050	30A4350	DOOR PANEL	15/05/2000-
051	30F0620	DOOR	15/05/2000-
052	32V3960	RESISTOR	15/05/2000-
053	36M5980	HINGE	15/05/2000-
054	36M6740	DOOR LOCK	15/05/2000-
055	37Q4310	DOOR GASKET	15/05/2000-
056	37Q4320	GASKET	15/05/2000-
057	33A1590	THERMOST. VALVE	15/05/2000-

Pos	Code	Description	Info
058	33A1620	VALVE BODY	15/05/2000-
059	33A1600	BORE	15/05/2000-
060	33G0750	VALVE	15/05/2000-
061	33G0760	TAP	15/05/2000-
062	33G0780	TAP	15/05/2000-
063	33G0960	GASKET	15/05/2000-
064	35R9000	SUPPORT	15/05/2000-
065	35G3370	COVER	15/05/2000-
066	32D0740	TERMINAL BOARD	15/05/2000-
067	36Z0490	ENGINE CUTOUT	15/05/2000-
068	35C9840	PROBE SUPPORT	15/05/2000-
069	32V4590	COIL	15/05/2000-
070	32D0710	THREE-POLE	15/05/2000-
071	30A4370	CONNECTOR SIDE PANEL	15/05/2000-
072	30A4330	REAR PANEL	15/05/2000-
073	30A4380	FRONT PANEL	15/05/2000-
074	35R8260	INSTRUMENT BOARD HOLDER	15/05/2000-
075	3AA3960	CEILING PROTECTOR	15/05/2000-
076	35P2710	BOTTOM EVAP.HEAD	15/05/2000-
077	35P2700	TOP EVAP. HEAD	15/05/2000-
078	33A1200	AUXIL.VALVE	15/05/2000-
079	30T6650	TOP BRACKET	15/12/2000-
080	30T6210	BOTTOM BRACKET	15/12/2000-
081	36M3200	HANDLE	10/07/2001-
082	36E0410	BUSHING	15/12/2000-
083	35P3290	STIFFENING	10/07/2001-
084	35R8970	EVAPORATOR SUPP.	10/07/2001-
085	35C9840	PROBE SUPPORT	13/12/2002-
086	32D1900	BOX	02/04/2003-
087	36C5840	TRIM FRAME	10/04/2003-
088	36C5850	TRIM FRAME	10/04/2003-
089	36C5860	TRIM FRAME	10/04/2003-
090	35Y8380	PROTECTION MOTOR	03/07/2004-
091	32V7450	I/INTERFACCIA SERIALE	03/07/2004-