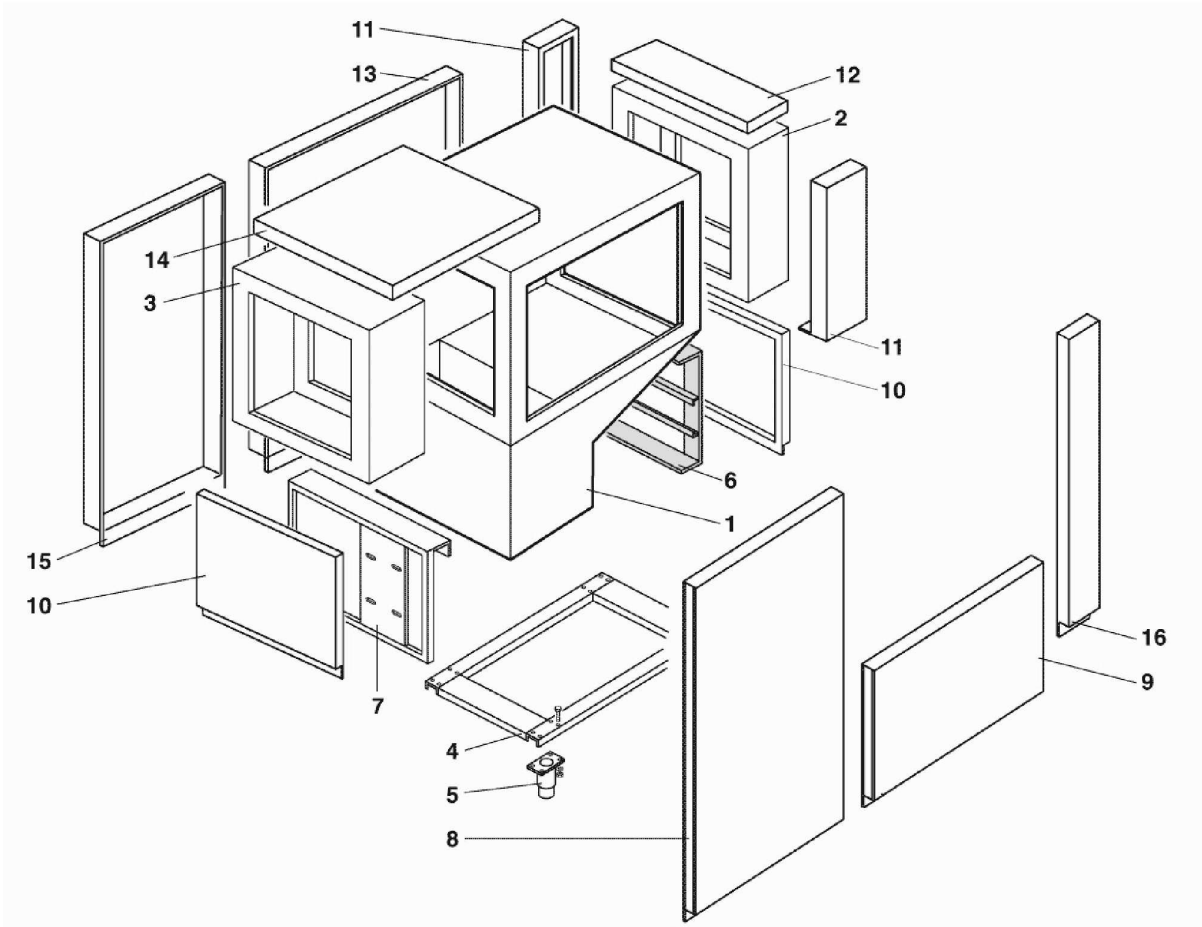
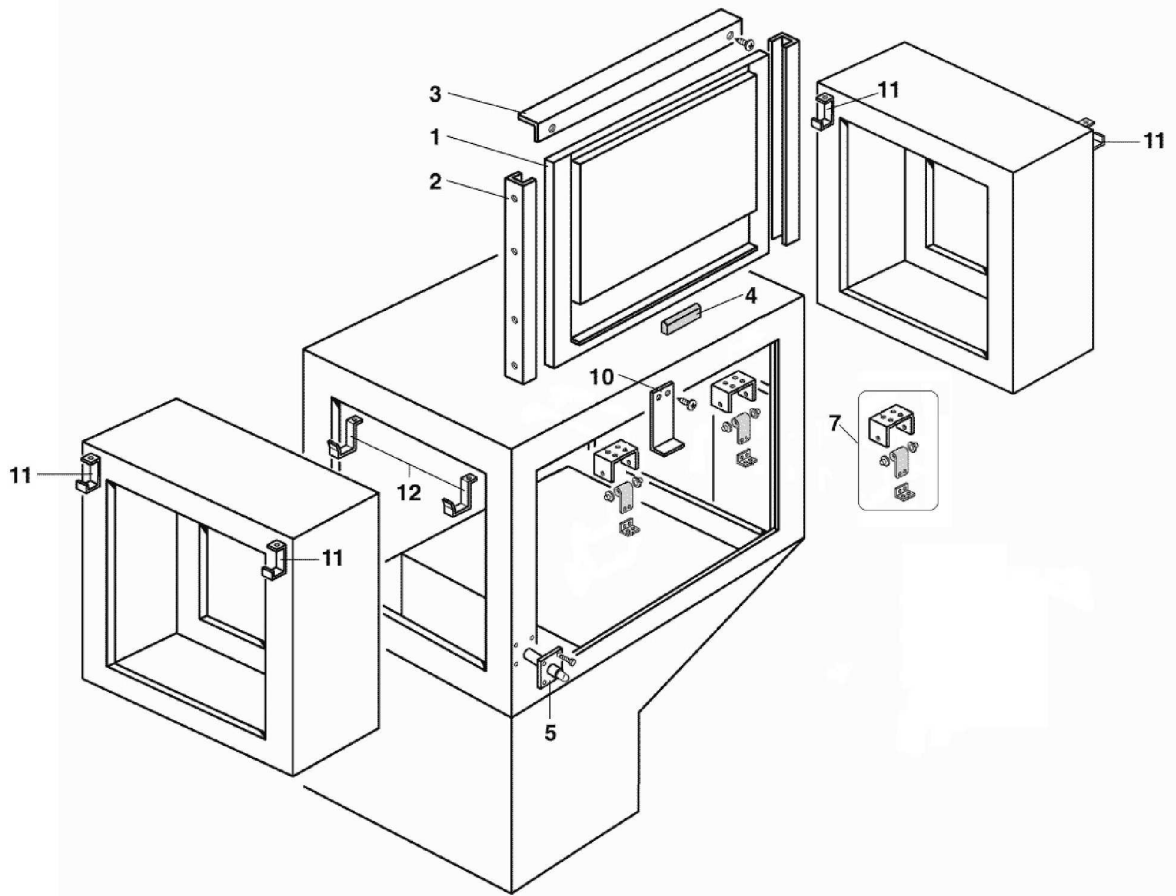


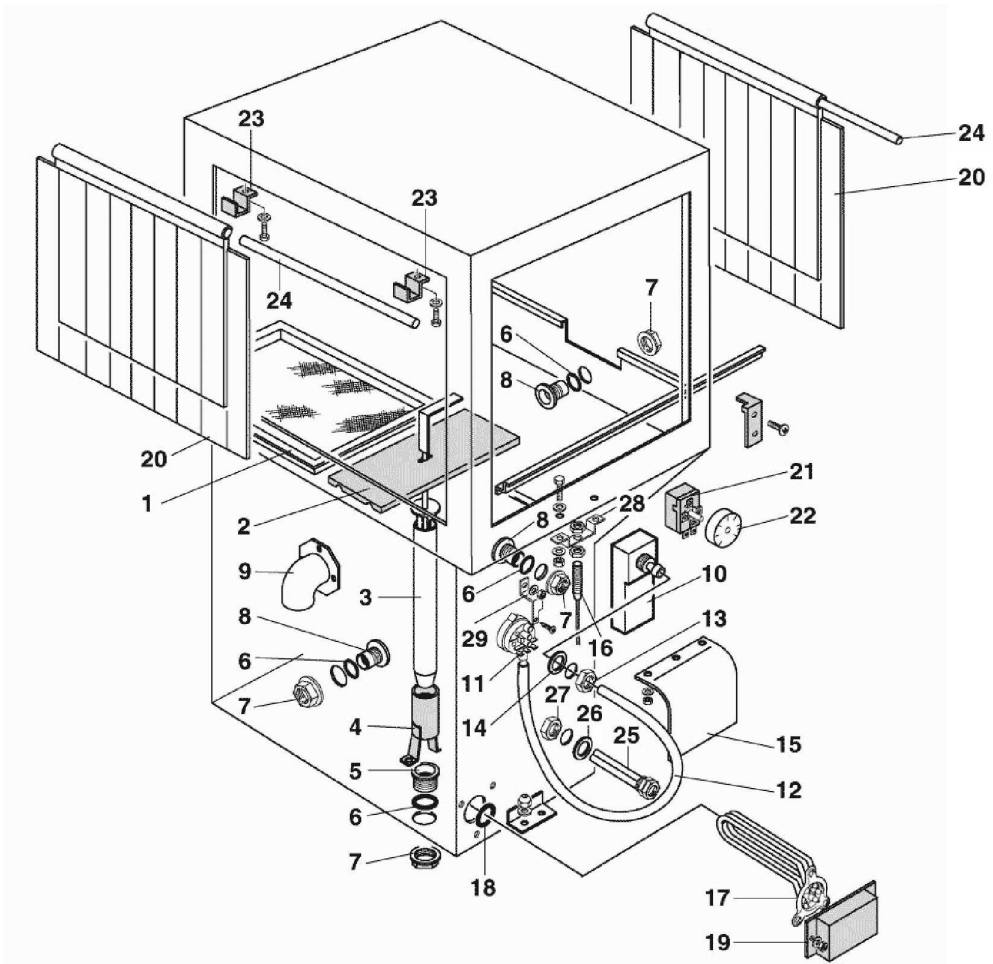


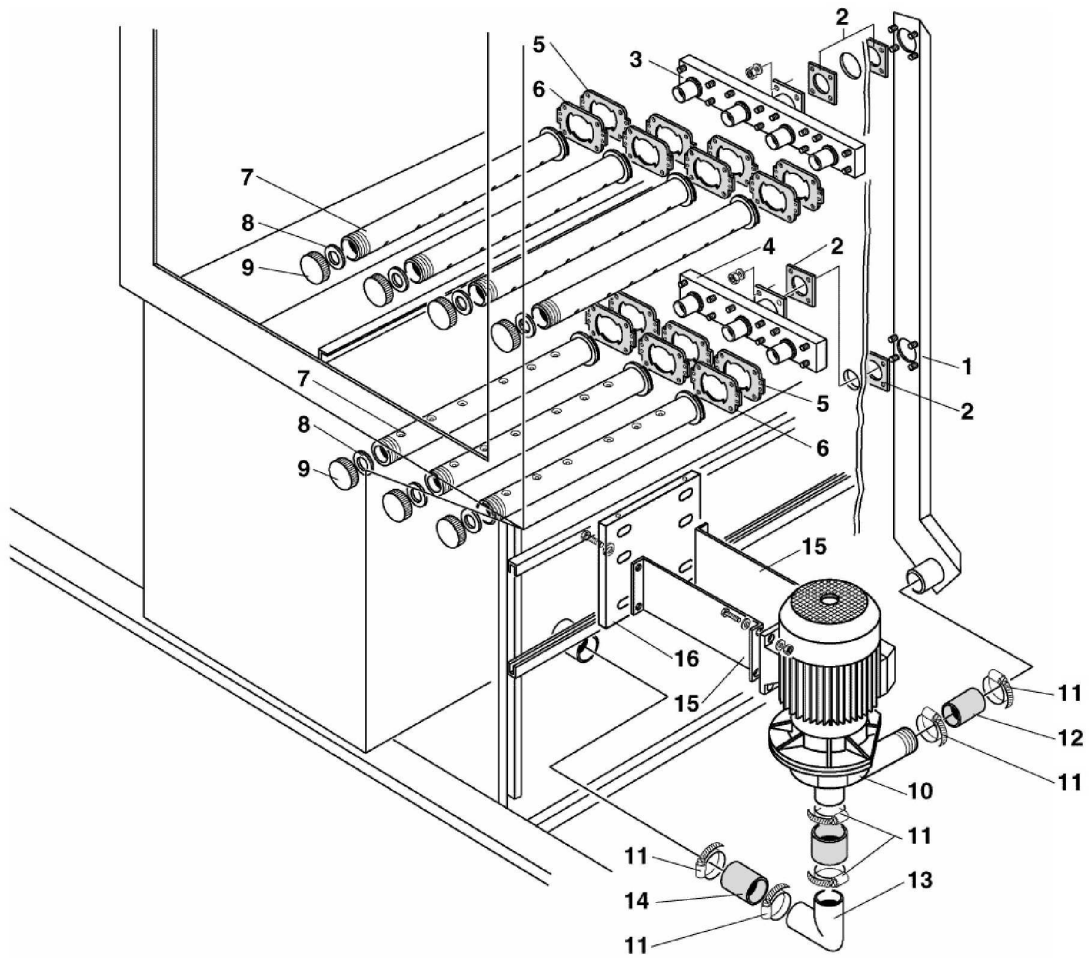
C207D

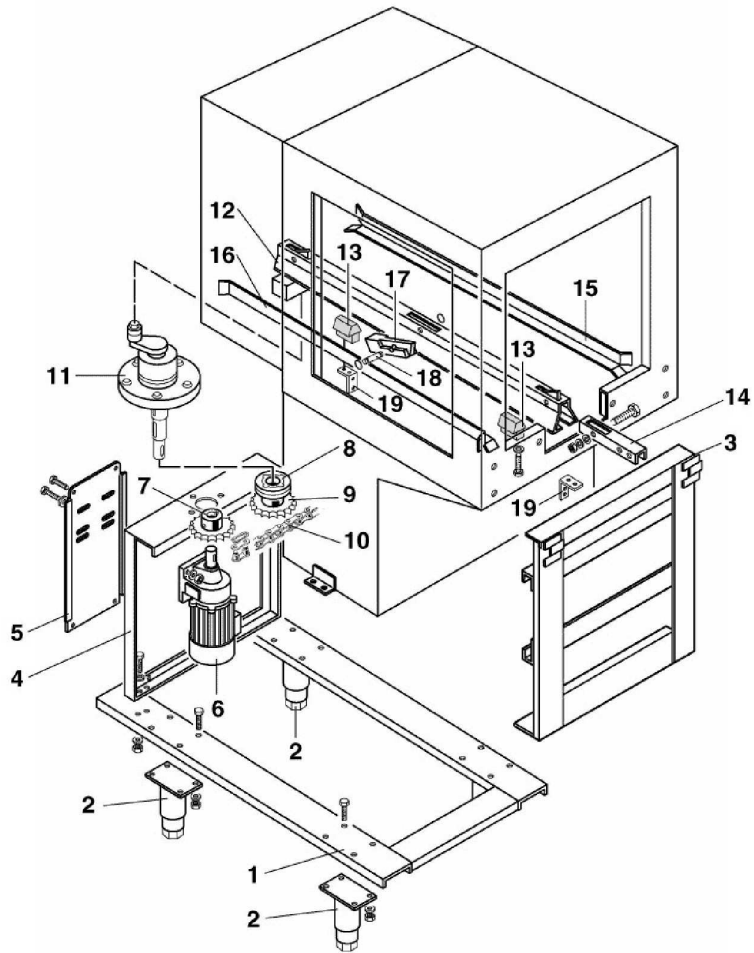
Edition 20040101-20051231

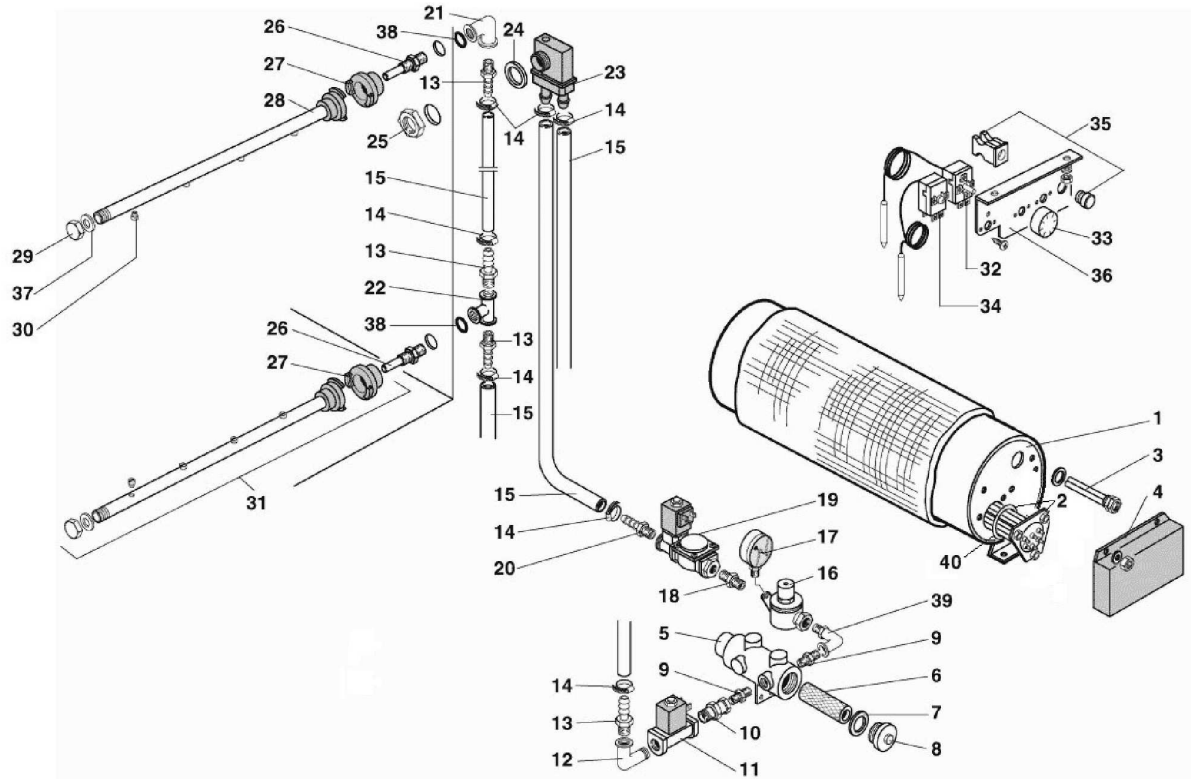


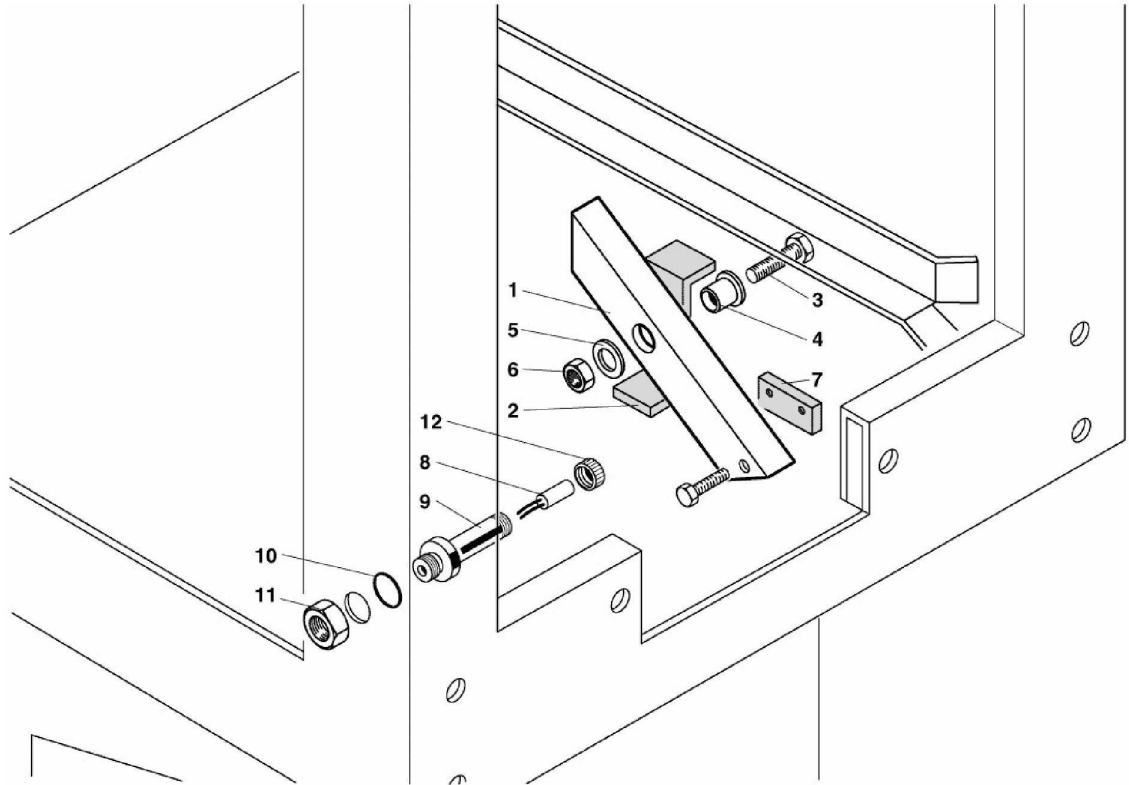


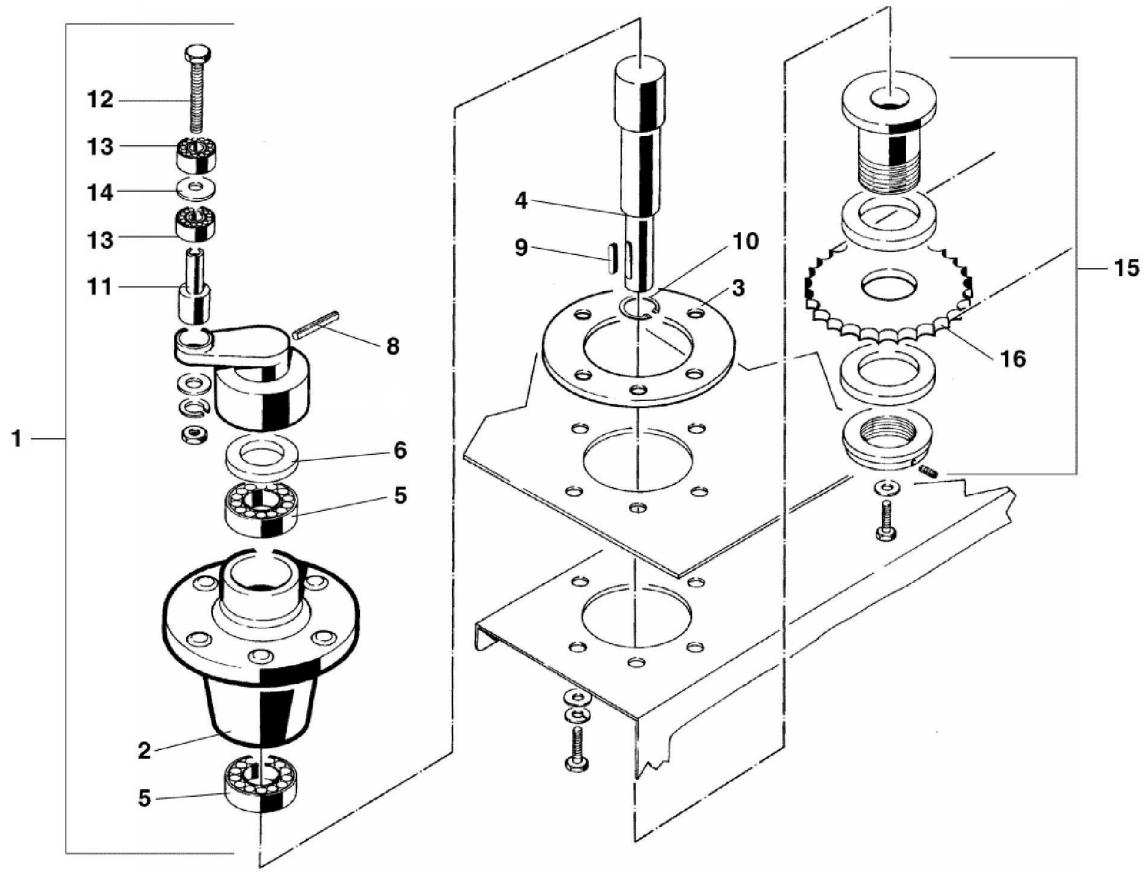


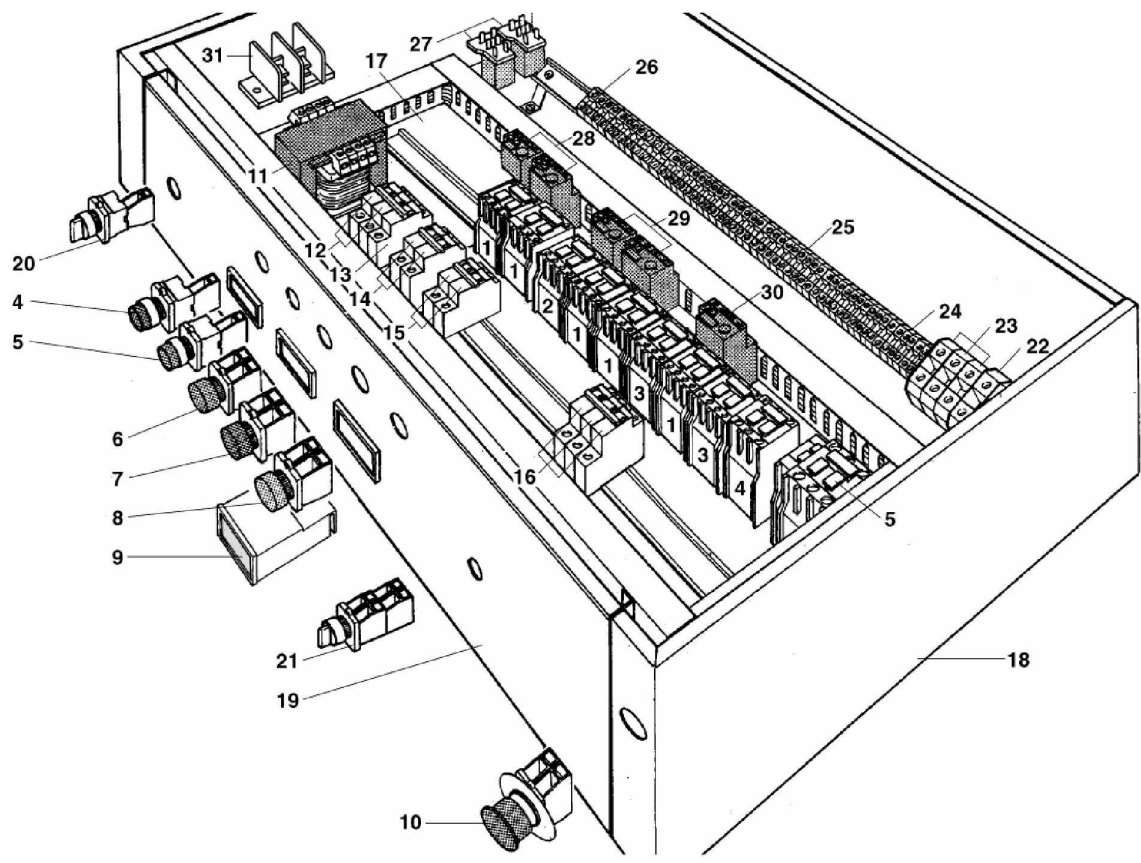












Page	Pos	Code	Description	Info
002	001	C207D-Pos.001	HOOD	01/12/1999-
002	002	3022350	HOOD	01/12/1999-
002	003	C207D-Pos.003	HOOD	01/12/1999-
002	004	C207D-Pos.004	FRAME	01/12/1999-
002	005	36Q0940	STAINLESS STEEL FOOT	01/12/1999-
002	006	C207D-Pos.006	TANK SUPPORT FRAME	01/12/1999-
002	007	C207D-Pos.007	SPEED REDUCER SUPPORT	01/12/1999-
002	008	C207D-Pos.008	INTERMEDIATE PANEL	01/12/1999-
002	009	3024060	FRONT PANEL	01/12/1999-
002	010	C207D-Pos.010	WASHING TAN SIDE PANEL	01/12/1999-
002	011	C207D-Pos.011	SIDE PANEL SPRAY- GARD H	01/12/1999-
002	012	C207D-Pos.012	UPPER SIDE PANEL S.- G.	01/12/1999-
002	013	3008030	BACK PANEL WASHING	01/12/1999-
002	014	C207D-Pos.014	UPPER SIDE PANEL	01/12/1999-
002	015	C207D-Pos.015	BACK PANEL RINSE	01/12/1999-
002	016	3024070	FRONT PANEL	01/12/1999-
003	001	30G3380	DOOR	01/12/1999-
003	002	3081360	GUIDE	01/12/1999-
003	003	3042800	SPRAY-GUARD	01/12/1999-
003	004	32W0870	MAGNET	01/12/1999-
003	005	36U0180	SAFETY DOOR CATCH	01/12/1999-
003	007	36G8740	SPRING	01/12/1999-
003	010	3AT1470	SPRING LOCK	01/12/1999-
003	011	3027270	BRACKET CURTAIN	01/12/1999-
003	012	3037880	BRACKET CURTAIN	01/12/1999-
004	001	30Q2810	FILTER 330x255	01/01/2000-
004	002	3041300	CROSS PIECE	01/12/1999-
004	003	33D2880	RODDED OVERFLOW H=430	01/12/1999-
004	004	30T2720	OVER FLOW GUIDE	01/12/1999-
004	005	33Q4740	"DRAIN CONNECTION 1""1/4"	01/12/1999-
004	006	3151930	O-RING	01/12/1999-
004	007	33Q2160	RING NUT	01/12/1999-
004	008	33Q2290	"DRAIN CONNECTION 1""1/4"	01/12/1999-
004	009	33Q4290	ONTAKE PIPE FITTING	01/12/1999-
004	010	33D1390	AIR TRAP	01/12/1999-
004	011	32Z8880	PRESSURE-SWITCH 90/120	01/12/1999-06/01/2015
004	012	131AA08	HOSE	01/12/1999-
004	013	33Q2190	RING NUT	01/12/1999-
004	014	3151890	GASKET	01/12/1999-
004	015	C207D-Pos.015	RUBBER COVER	01/12/1999-
004	016	32Z8650	MAGNETIC REED	01/12/1999-
004	017	32G2170	HEATING ELEMENT 8000W	01/12/1999-
004	018	3152160	OR RING	01/12/1999-
004	019	3FL0216	HEATING COVER	01/12/1999-
004	020	36Z0720	SPLASH GUARD	01/12/1999-
004	021	32Z8840	CURTAIN 640XH=410 THERMOSTAT 30-90C	01/12/1999-
004	022	36M2830	HANDLE	01/12/1999-
004	023	3037880	BRACKET CURTAIN	01/12/1999-
004	024	36G7580	SHAFT	01/12/1999-
004	025	30Q1070	BULB HOLDER	01/12/1999-
004	026	37Q2840	GASKET	01/12/1999-

Page	Pos	Code	Description	Info
004	027	3201840	LOCK NUT 1/2"	01/12/1999-
004	028	35Q9260	REED BRACKET	01/12/1999-
004	029	C207D-Pos.029	PRESSURE SWITCH SUPP.	01/12/1999-
005	001	C207D-Pos.001	WASHING PIPE	01/12/1999-
005	002	3151900	GASKET	01/12/1999-
005	003	30Z2650	UPPER WASHING PIPE	01/12/1999-
005	004	30Z2660	LOWER WASHING PIPE	01/12/1999-
005	005	36G9390	FLANGE	01/12/1999-
005	006	36G9400	FLANGE COUPLING	01/12/1999-
005	007	30Z2670	U/L WASHING PIPE	01/12/1999-
005	008	3152780	GASKET	01/01/2002-
005	009	36Q1930	PLUG INOX	01/01/2002-
005	010	32M4830	PUMP	01/12/1999-
005	011	3022220	CLAMP	01/12/1999-
005	012	33M1330	OUTLET ELBOW L=170 Ø150 ØE60	01/12/1999-
005	013	33M1290	RUBBER INTAKE PIPE FITTING	01/01/2004-
005	014	33M1450	ELBOW L=170 Ø160 ØE70	01/12/1999-
005	015	C207D-Pos.015	SPACER	01/12/1999-
005	016	3022210	PLATE	01/12/1999-
006	001	C207D-Pos.001	FRAME	01/12/1999-
006	002	36Q0940	STAINLESS STEEL FOOT	01/12/1999-
006	003	C207D-Pos.003	TANK SUPPORT FRAME	01/12/1999-
006	004	C207D-Pos.004	SPEED REDUCER SUPPORT	01/12/1999-
006	005	C207D-Pos.005	SPEED REDUCER PLATE	01/12/1999-
006	006	32M4850	SPEED REDUCER	01/12/1999-
006	006	32M4880	SPEED REDUCER	01/12/1999-
006	007	3245300	SPROCKET Z14	01/12/1999-
006	007	36G7700	SPROCKET	01/12/1999-
006	007	36G7710	SPROCKET	01/12/1999-
006	008	36G7540	TORQUE LIMITER	01/12/1999-
006	009	36G7690	GEAR	01/12/1999-
006	010	36G8330	"CHAIN P= 1/2"" (C304+CS243+CS37"	01/12/1999-
006	010	36G8880	"CHAIN P= 1/2"" (C165/C92)"	01/12/1999-
006	010	36G8890	CHAIN (C207)	01/12/1999-
006	011	36G7590	TOWING GEAR	01/12/1999-
006	012	3033820	PAWL BAR	01/12/1999-
006	013	30T3390	GUIDE SUPPORT	01/12/1999-
006	014	3033830	CONNECTION GUIDE	01/12/1999-
006	015	30T7240	RIGHT BASKET GUIDE	01/12/1999-
006	016	30T7250	LEFT BASKET GUIDE	01/12/1999-
006	017	36G7550	PAWL	01/12/1999-
006	018	33Q2830	PIN	01/12/1999-
006	019	C207D-Pos.019	CENTRAL STANCHION	01/12/1999-
007	001	34A2170	BOILER 13.8 LTRS.	01/12/1999-
007	002	32G2840	HEATING ELEMENT	01/12/1999-
007	003	30Q1070	BULB HOLDER	01/12/1999-
007	004	30Q2610	HEATING COVER	01/12/1999-
007	005	30Q1490	FILTER	01/12/1999-
007	006	30Q1290	FILTER	01/12/1999-
007	007	3044690	GASKET	01/12/1999-
007	008	3044700	PLUG	01/12/1999-

Page	Pos	Code	Description	Info
007	009	3071310	"NIPPLE 1/2""	01/12/1999-
007	010	3022550	PIPE UNION 1/2"	01/12/1999-
007	011	33D1060	"SOLENOID VALVE 1/2""	01/12/1999-
007	012	3022560	PIPE FITTING 1/2"	01/12/1999-
007	013	33Q4770	PIPE FITTING 1/2"	01/12/1999-
007	014	C207D-Pos.014	CLAMP	01/12/1999-
007	015	33M1210	RUBBER PIPE	01/12/1999-
007	016	33D3220	"PRESSURE REDUCER 1/2""	01/12/1999-
007	017	33D2090	PRESSURE GANGE 0- 4BAR Ø50 - 1	01/12/1999-
007	018	3071290	"NIPPLE 3/4""-1/2""	01/12/1999-
007	019	33D1050	"SOLENOID VALVE 3/4""	01/12/1999-
007	020	3022540	PIPE FITTING 3/4"	01/12/1999-
007	021	33Q4790	"PIPE FITTING 1/2""	01/12/1999-
007	022	33Q4780	PIPE FITTING 1/2"	01/12/1999-
007	023	33D2330	NON-RETURN VALVE + NUT	01/01/2002-31/08/2007
007	024	3152190	GASKET	01/12/1999-
007	025	32D1140	LOCK NUT	01/12/1999-
007	026	36G9860	GUIDE FOR ARM	01/12/1999-
007	027	3029420	QUICK COUPLER	01/12/1999-
007	028	3074610	UPPER/LOWER RINSE ARM	01/12/1999-
007	029	36Q1900	PLUG	01/12/1999-
007	030	33T2930	NOZZLE	01/12/1999-
007	031	30Z1120	UPPER RINSE ARM ASS.Y	01/12/1999-
007	032	32Z8840	THERMOSTAT 30-90C	01/12/1999-
007	033	36M2830	HANDLE	01/12/1999-
007	034	32Z8830	SAFETY THERMOSTAT	01/12/1999-
007	035	3106740	PUSH BUTTON	01/12/1999-
007	036	3106750	THERMOSTAT BRACKET	01/12/1999-
007	037	37Q4200	GASKET	01/12/1999-
007	038	3152670	GASKET	01/12/1999-
007	039	3071300	"PIPE UNION 1/2""	01/12/1999-
007	040	3204620	OR GASKET	01/12/1999-
008	001	36H0780	ACTUATOR	01/12/1999-
008	002	35U2230	ECONOMISER BRACKET	01/12/1999-
008	003	31A9660	SCREW	01/12/1999-
008	004	36G9450	BEARING	01/12/1999-
008	005	3123670	WASHER	01/12/1999-
008	006	3110050	STEEL NUT M8X6.5	01/12/1999-
008	007	32W0870	MAGNET	01/12/1999-
008	008	32Z8650	MAGNETIC REED	01/12/1999-
008	009	35W5190	COVER MAGNET	01/12/1999-
008	010	3152170	O-RING	01/12/1999-
008	011	33Q2190	RING NUT	01/12/1999-
008	012	36Q1650	PLUG	01/12/1999-
009	001	36G7590	TOWING GEAR	01/12/1999-
009	002	33Q2630	HUB	01/12/1999-
009	003	37Q1640	GASKET	01/12/1999-
009	004	33Q2350	SHAFT	01/12/1999-
009	005	36G7500	BALL BEARING	01/12/1999-
009	006	3151940	SEAL	01/12/1999-
009	008	3022020	ROLL PIN	01/12/1999-

Page	Pos	Code	Description	Info
009	009	3191110	KEY 6X6X25	01/12/1999-
009	010	3120950	SEEGER Ø20	01/12/1999-
009	011	36H0210	PIN	01/12/1999-
009	012	3104860	STEEL SCREW M8x70	01/12/1999-
009	013	36G7510	BEARING	01/12/1999-
009	014	3120420	WASHER	01/12/1999-
009	015	36G7540	TORQUE LIMITER	01/12/1999-
009	016	36G7690	GEAR	01/12/1999-
010	001	32Z8680	CONTACTOR	01/12/1999-
010	002	3004890	CONTACTOR	01/12/1999-
010	003	3059490	CONTACTOR	01/12/1999-
010	004	32W4000	STOP PUSH BUTTON	01/12/1999-
010	005	32W4010	START PUSH BUTTON	01/12/1999-
010	006	32W1720	GREEN LIGHT	01/12/1999-
010	007	32W1710	RED LIGHT	01/12/1999-
010	008	32W1700	YELLOW LIGHT	01/12/1999-
010	009	32Z8250	DIGITAL THERMOMETER	01/12/1999-
010	010	32W1750	MAIN STOP PUSH BUTTON	01/12/1999-
010	011	32Z8800	TRANSFORMER	01/12/1999-
010	012	32Z9020	SWITCH	01/12/1999-
010	013	32Z9040	SWITCH	01/12/1999-
010	014	32Z8580	MAIN SWITCH	01/12/1999-
010	015	32Z8600	MAIN SWITCH	01/12/1999-
010	016	32Z8590	MAIN SWITCH	01/12/1999-
010	017	C207D-Pos.017	ELECTRIC COMP. SUPPORT	01/12/1999-
010	018	C207D-Pos.018	CABINET	01/12/1999-
010	019	C207D-Pos.019	CONTROL PANEL	01/12/1999-
010	020	32Z8670	SWITCH	01/12/1999-
010	021	32Z8470	SWITCH	01/12/1999-
010	022	3069840	TERMINAL BOARD	01/12/1999-
010	023	3002540	TERMINAL	01/12/1999-
010	024	32V4940	TERMINAL 10 mm	01/12/1999-
010	025	3246960	TERMINAL	01/12/1999-
010	026	C207D-Pos.026	TERMINAL	01/12/1999-
010	027	32Z8640	RELAY	01/12/1999-
010	028	32Z8740	OVERLOAD RELAY 1,25÷2A	01/12/1999-
010	029	32Z8710	OVERLOAD RELAY	01/12/1999-
010	030	32Z8780	OVERLOAD RELAY 4- 6A	01/12/1999-
010	031	C207D-Pos.031	TERMINAL	01/12/1999-