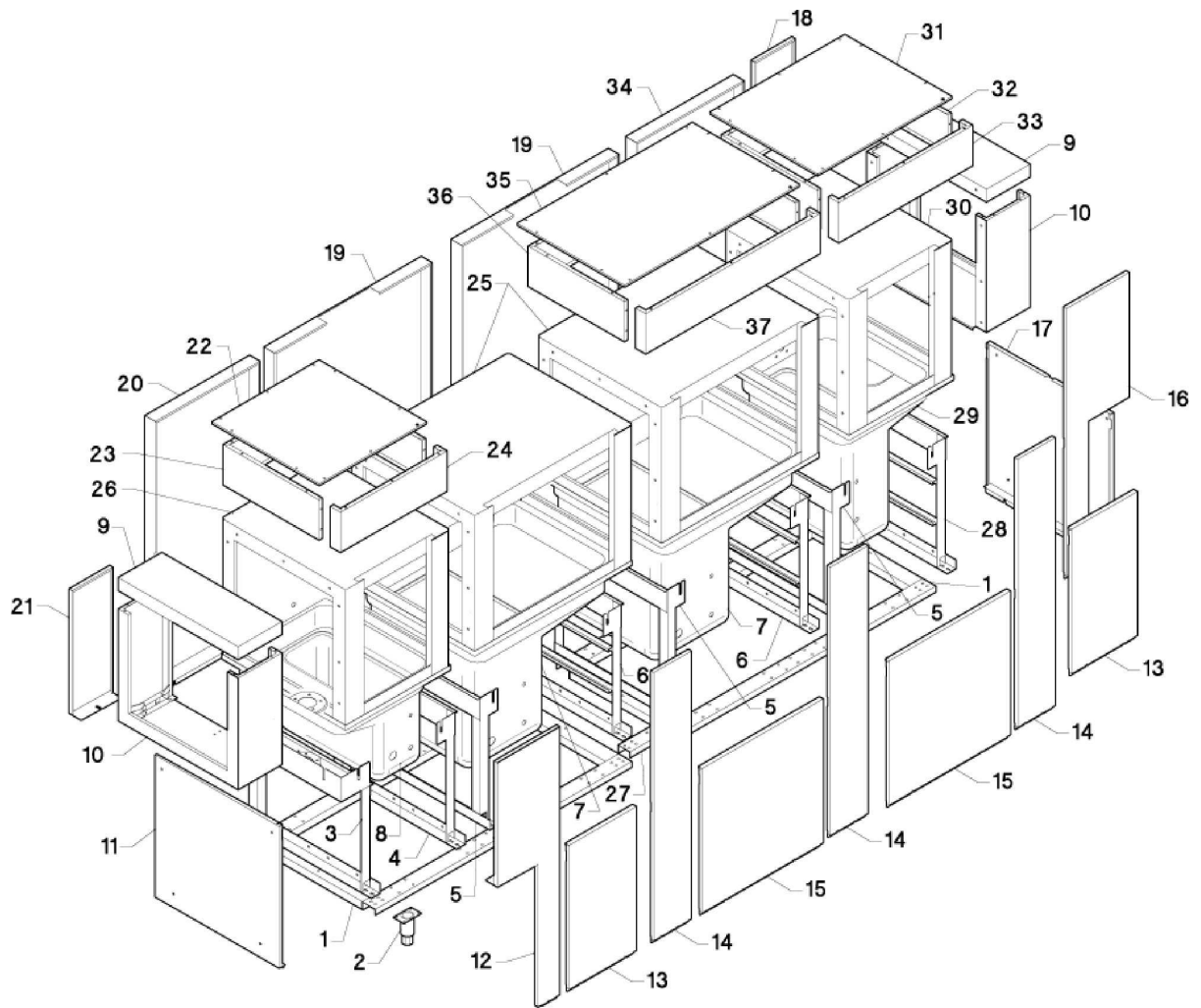


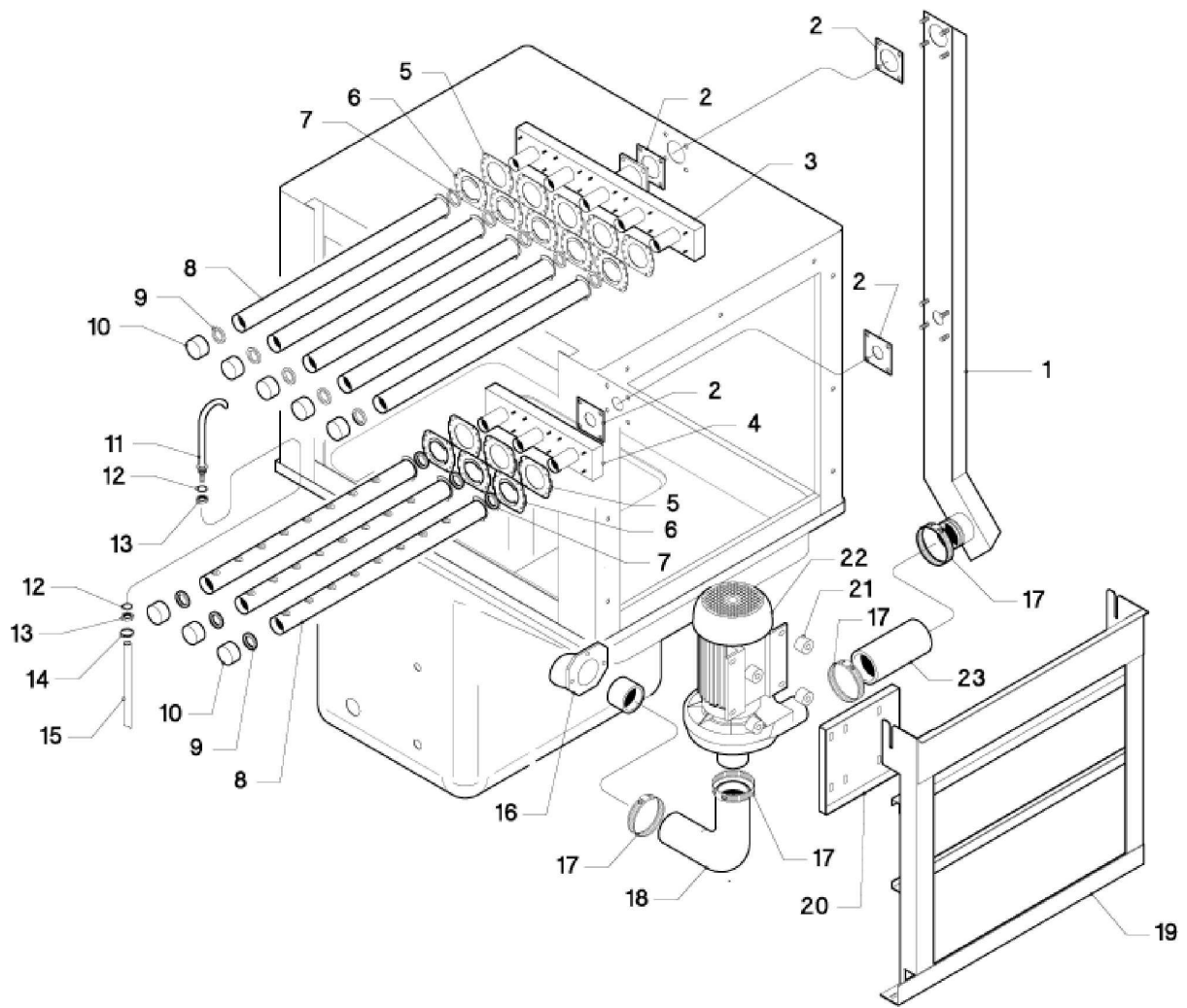


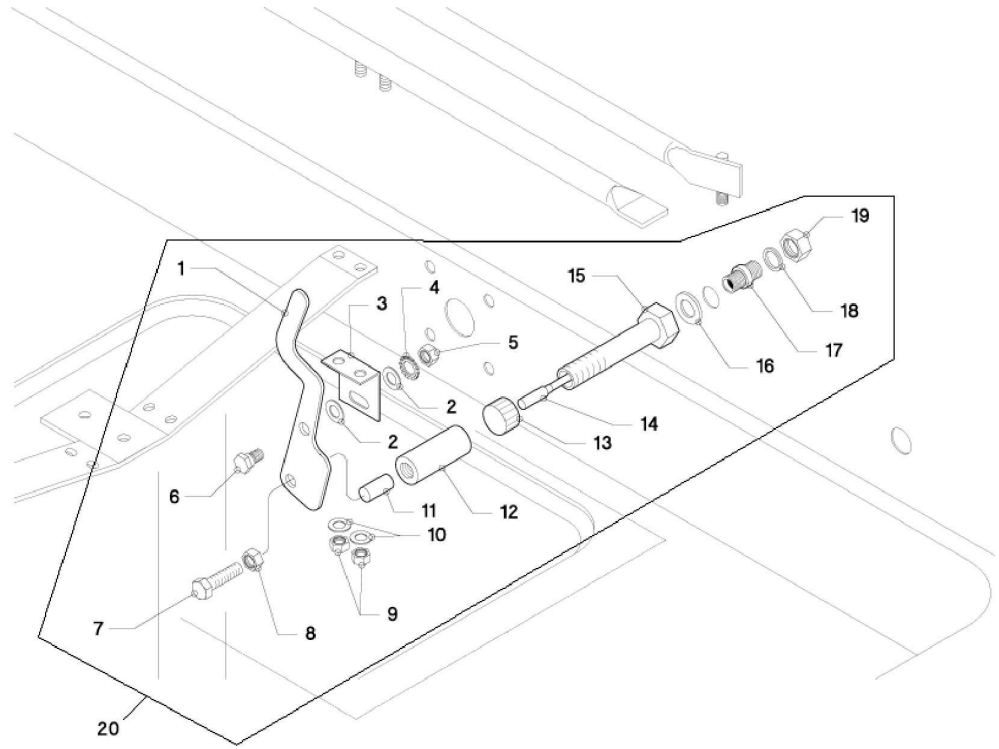
# **CS466D-VERS.2006**

**Edition 20080101-**

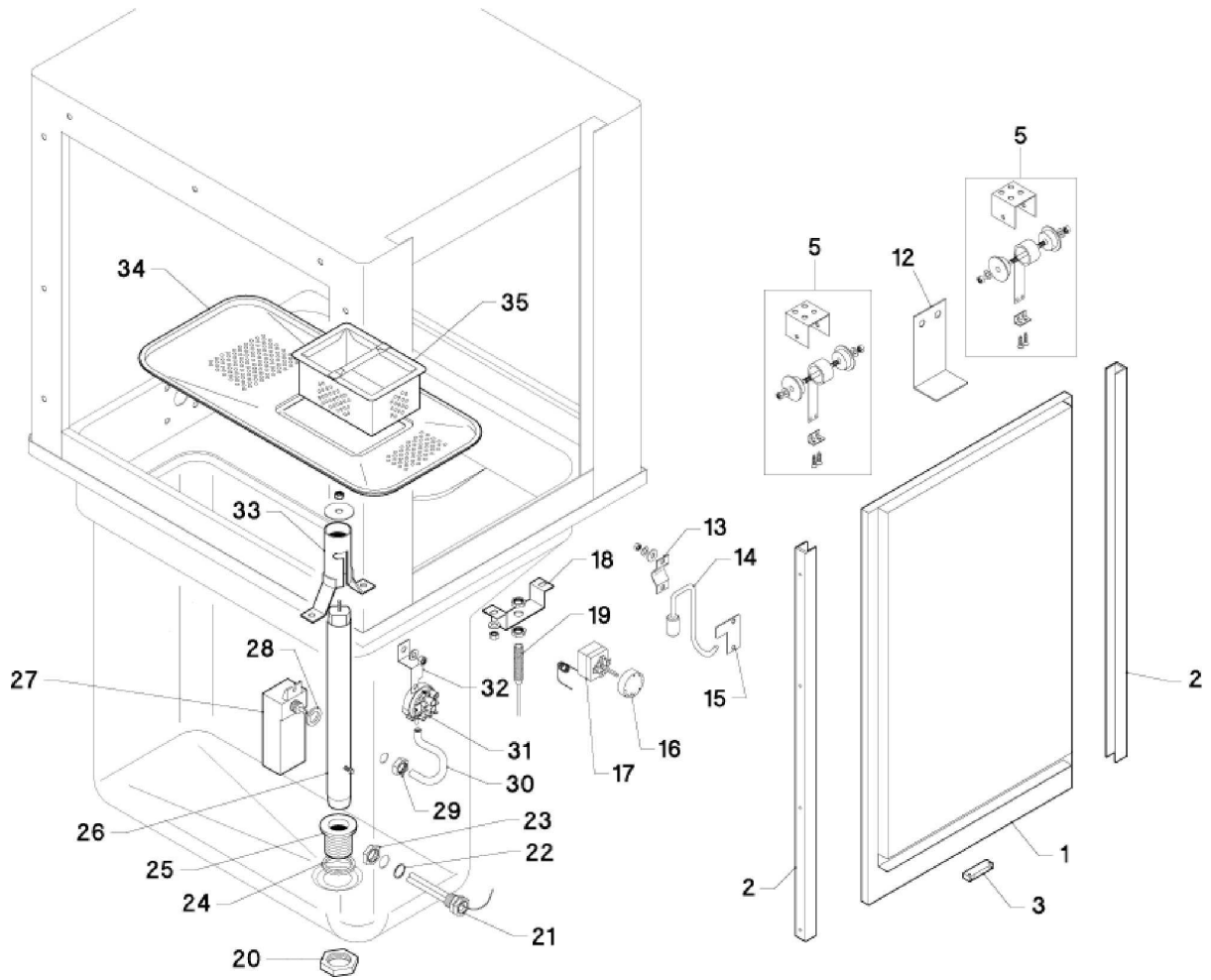


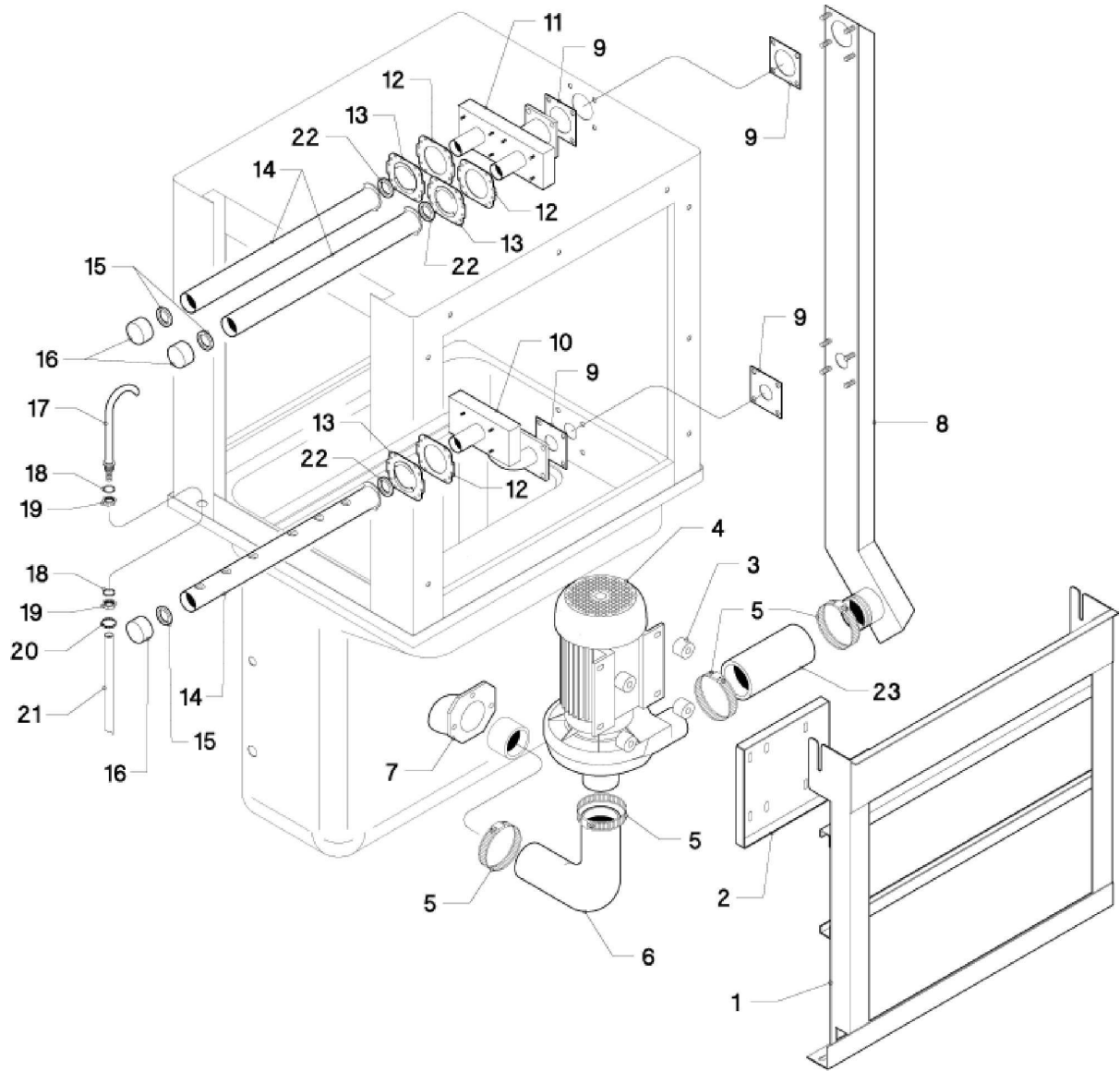




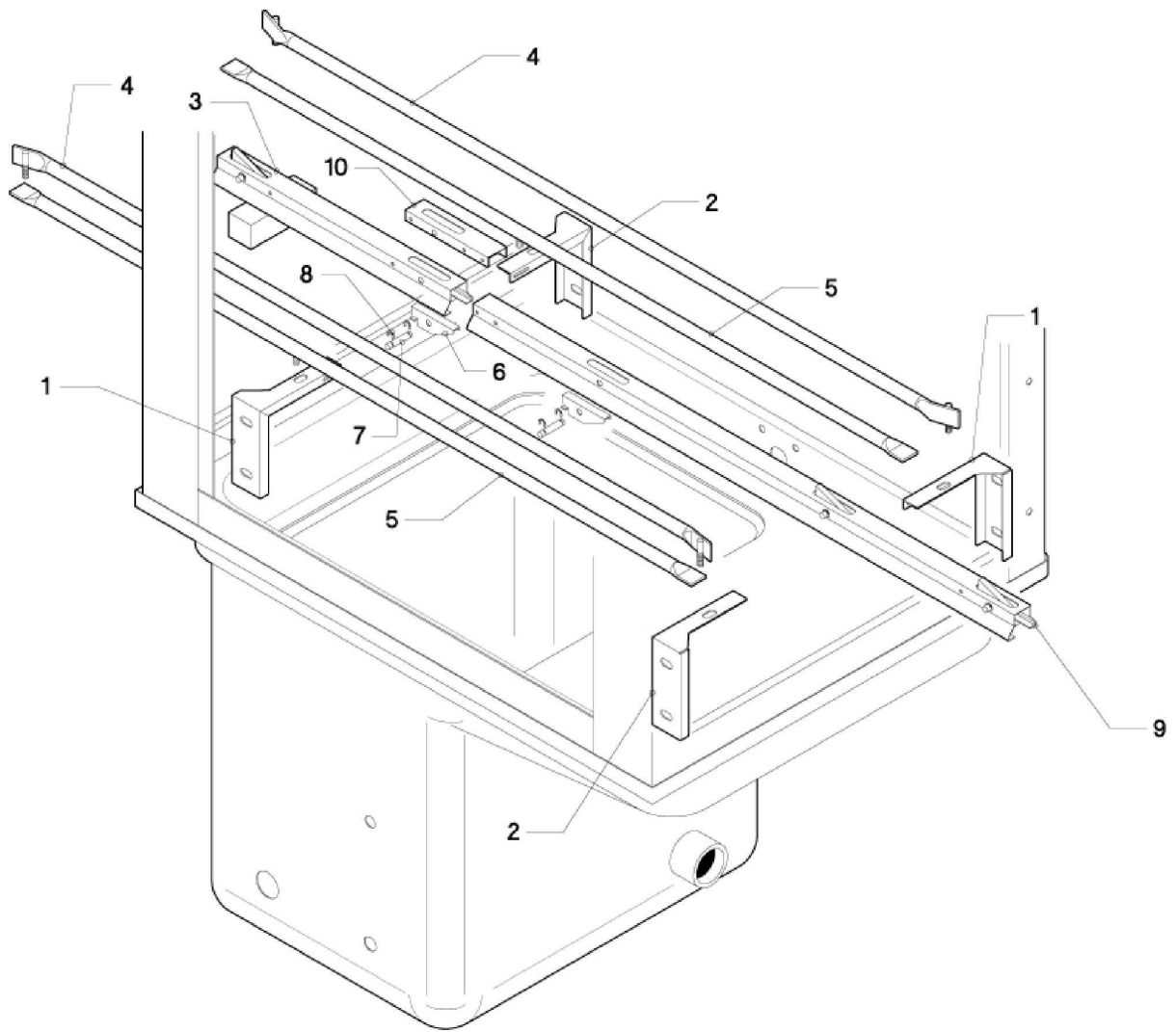


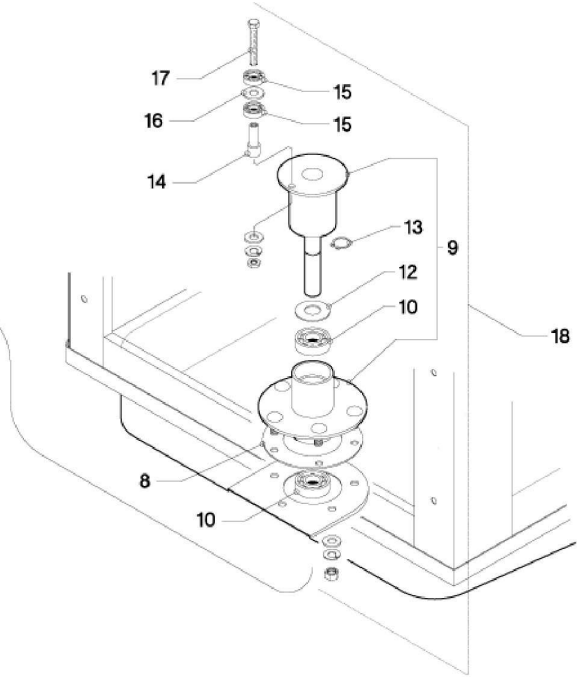
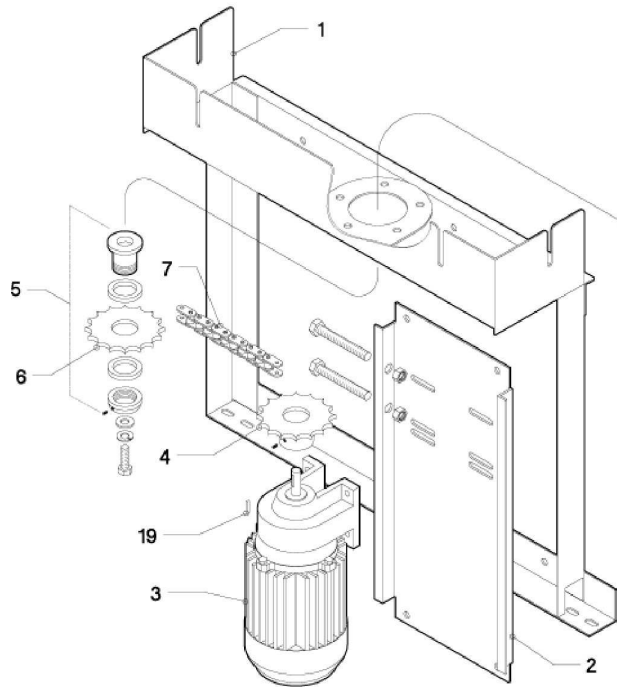


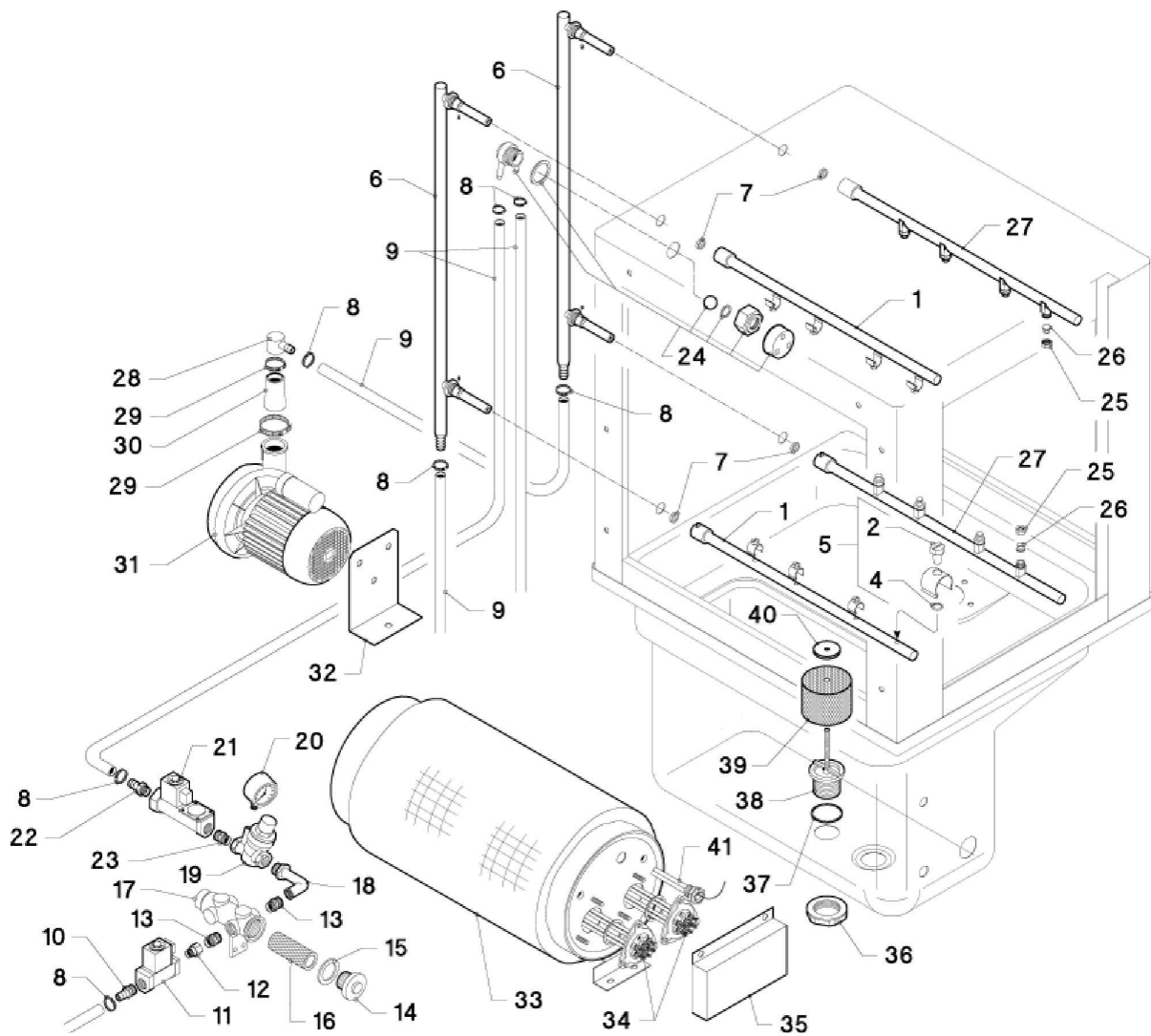


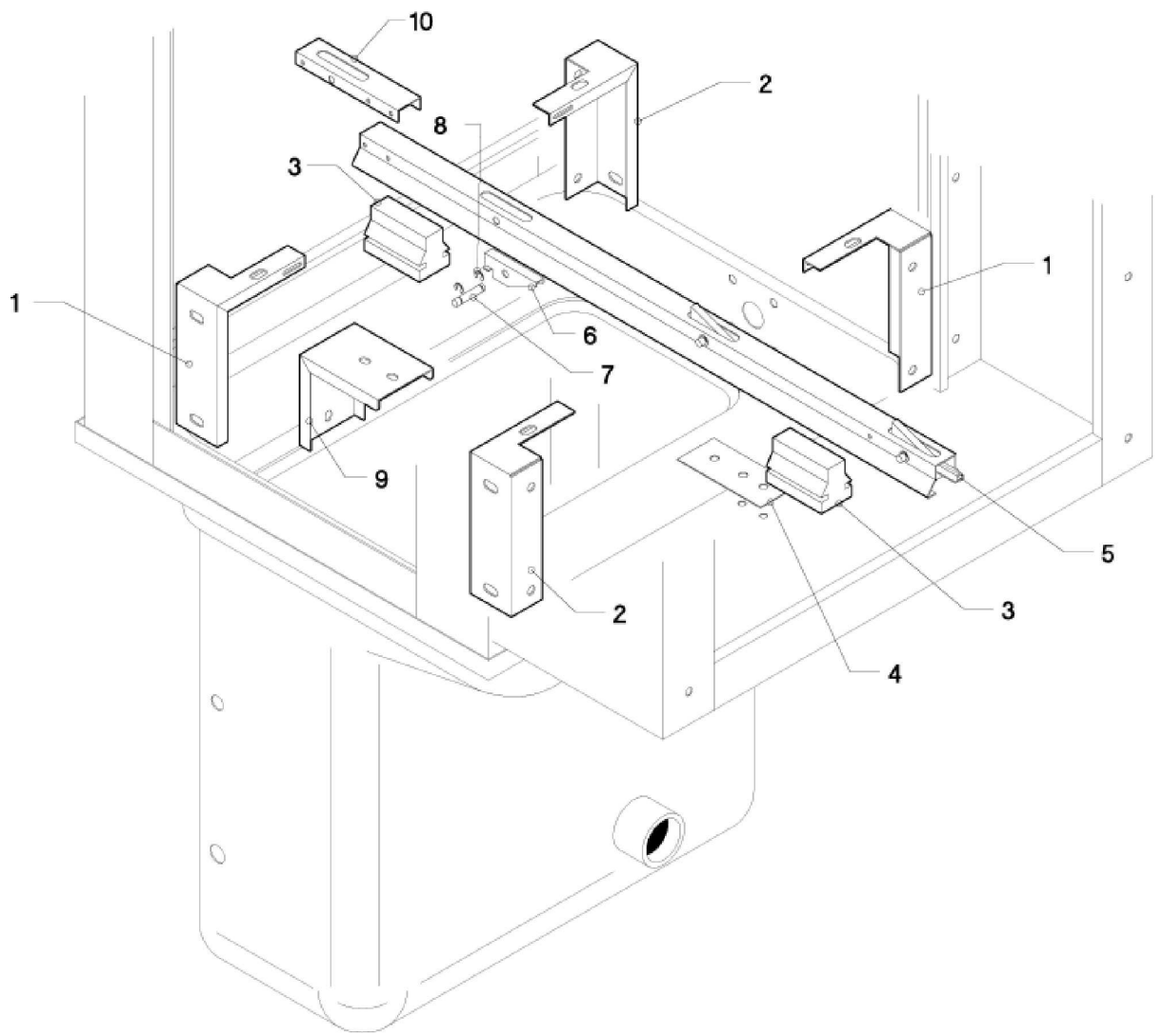


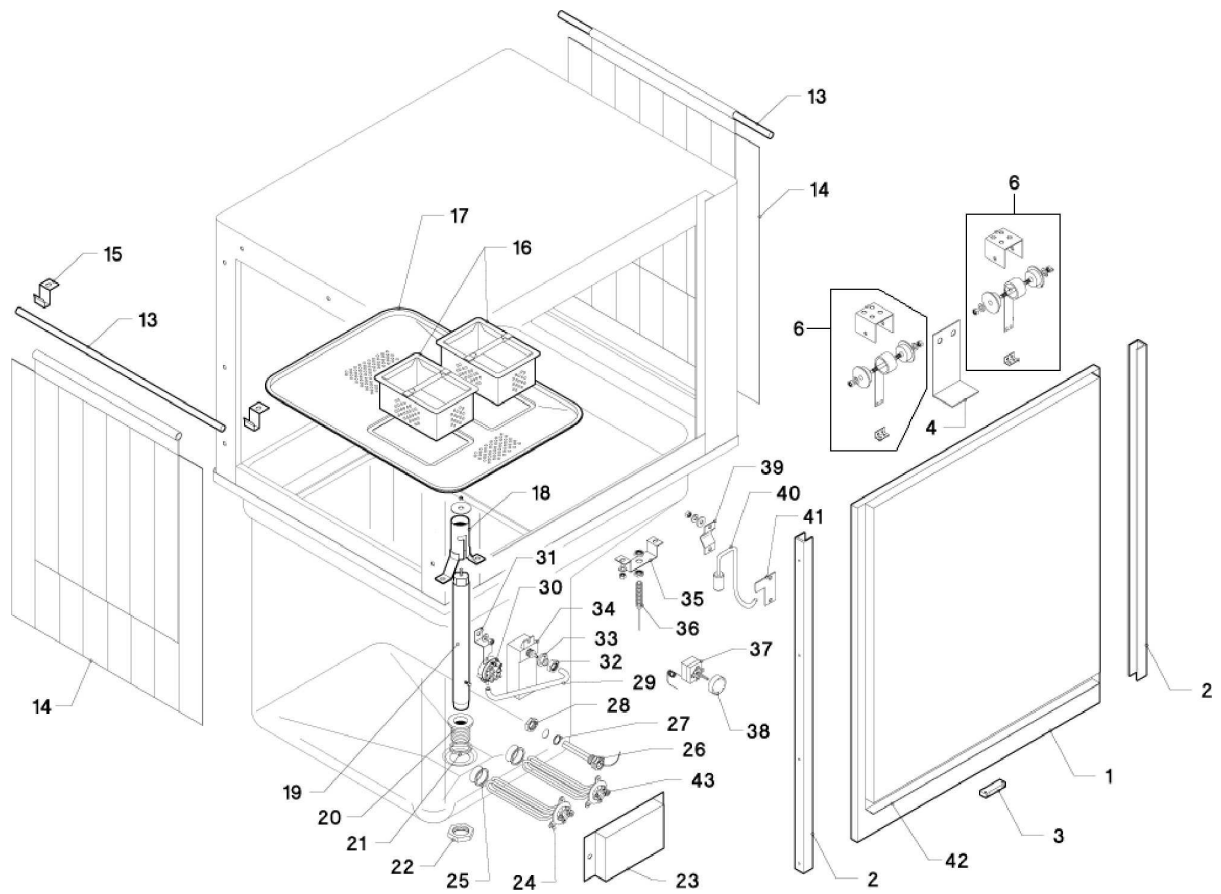


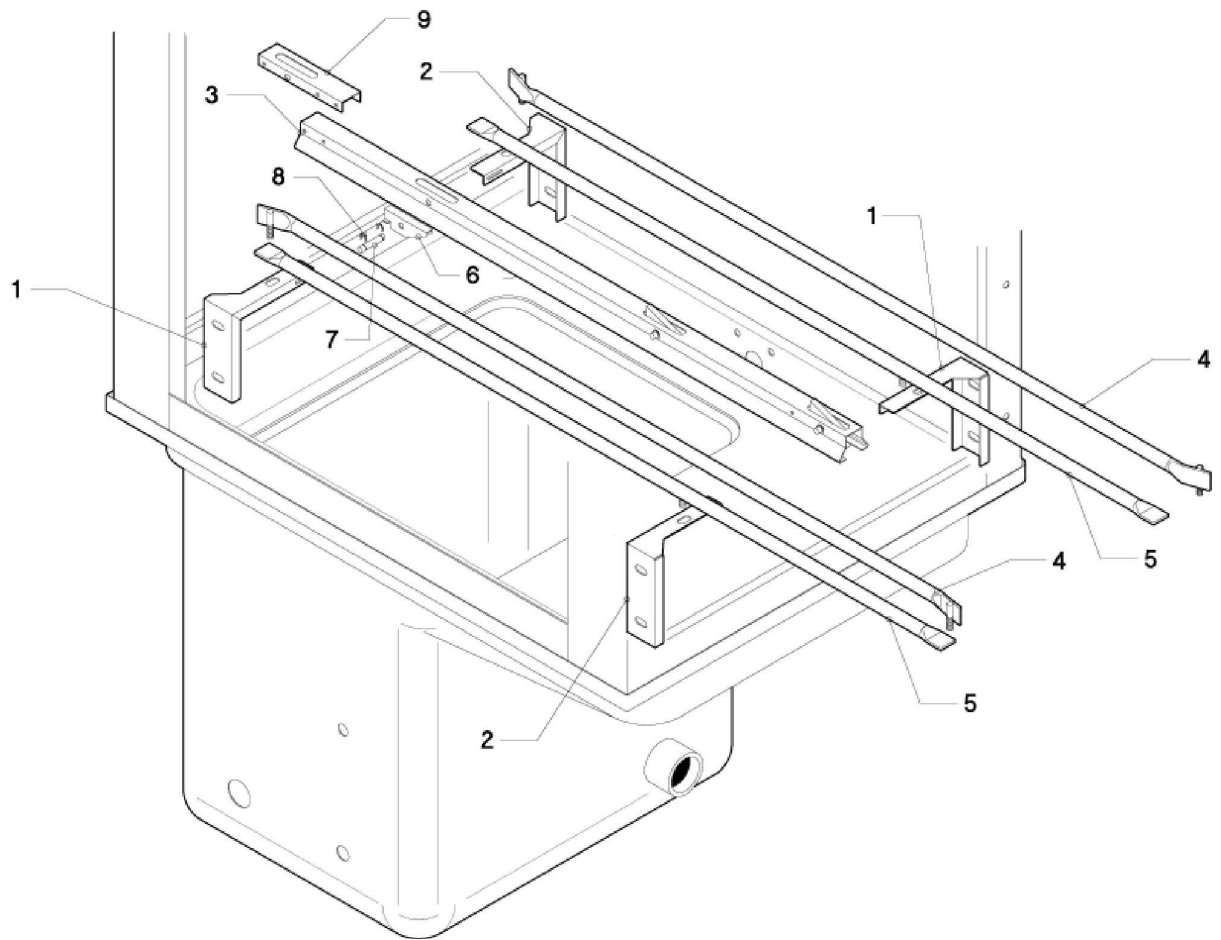


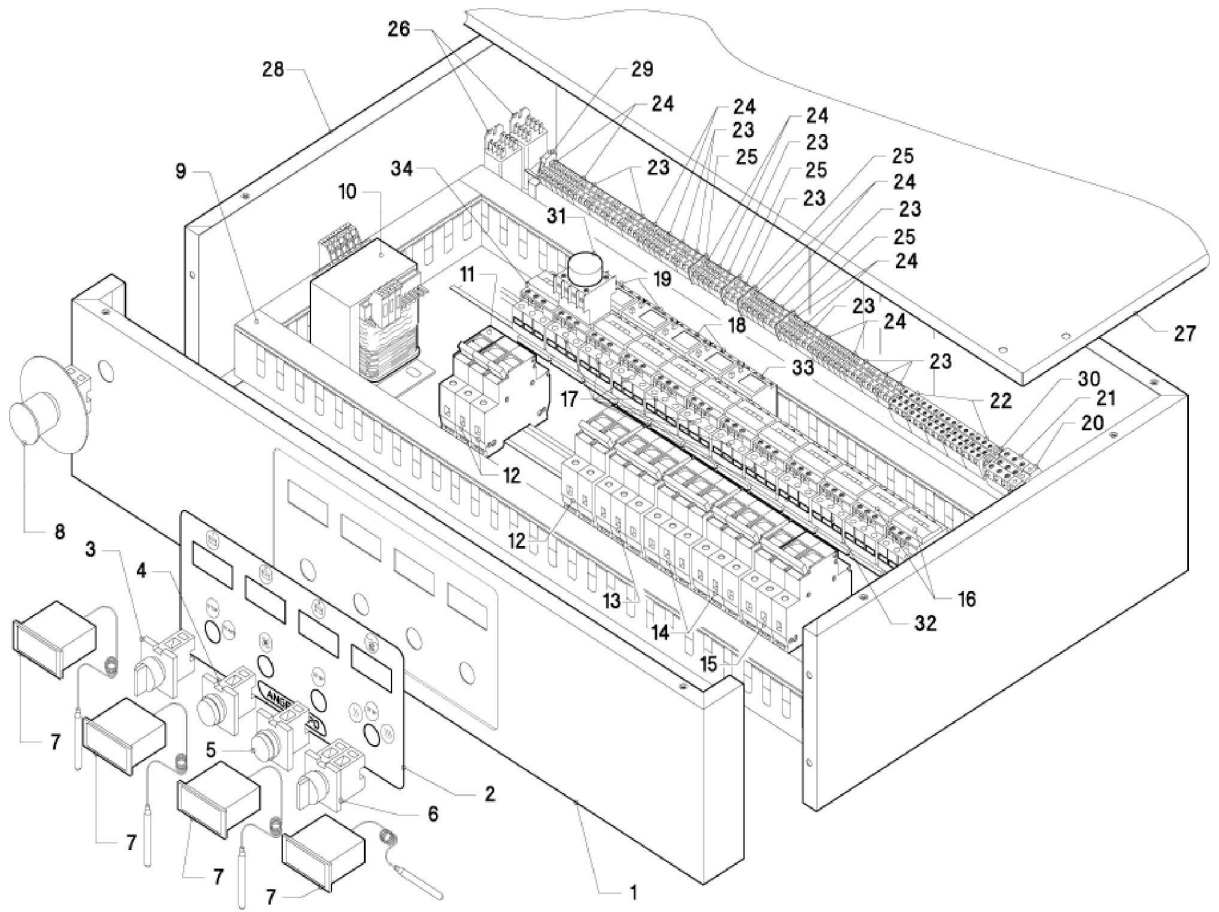












Page	Pos	Code	Description	Info
002	001	CS466D-Pos.001	BASE	01/01/2006-
002	002	CS466D-Pos.002	RUBBER LEG	01/01/2006-
002	003	CS466D-Pos.003	SPEED REDUCER SUPPORT	01/01/2006-
002	004	CS466D-Pos.004	TANK SUPPORT DX	01/01/2006-
002	005	CS466D-Pos.005	TANK SUPPORT SX	01/01/2006-
002	006	CS466D-Pos.006	PUMP SUPPORT	01/01/2006-
002	007	CS466D-Pos.007	TANK	01/01/2006-
002	008	CS466D-Pos.008	DOUBLE RINSE TANK	01/01/2006-
002	009	CS466D-Pos.009	HAT HOOD	01/01/2006-
002	010	CS466D-Pos.010	HOOD SPRAY-GUARD	01/01/2006-
002	011	3246780	LOWER PANEL OF THE EXIT	01/01/2006-
002	012	CS466D-Pos.012	LEFT FRONTAL PANEL	01/01/2006-
002	013	CS466D-Pos.013	LOWER PANEL	01/01/2006-
002	014	CS466D-Pos.014	RIGHT FRONTAL PANEL	01/01/2006-
002	015	CS466D-Pos.015	WASHING LOWER PANEL	01/01/2006-
002	016	CS466D-Pos.016	RIGHT FRONTAL PANEL	01/01/2006-
002	017	CS466D-Pos.017	LOWER PANEL OF THE ENTRANCE	01/01/2006-
002	018	CS466D-Pos.018	HOOD BACK PANEL	01/01/2006-
002	019	CS466D-Pos.019	WASHING BACK PANEL	01/01/2006-
002	020	CS466D-Pos.020	DOUBLE RINSE. BACK PANEL	01/01/2006-
002	021	CS466D-Pos.021	HOOD BACK PANEL	01/01/2006-
002	022	CS466D-Pos.022	HAT FOR BOX	01/01/2006-
002	023	CS466D-Pos.023	BAND FOR BOX	01/01/2006-
002	024	CS466D-Pos.024	FRONTAL FOR BOX	01/01/2006-
002	025	CS466D-Pos.025	HOOD	01/01/2006-
002	026	CS466D-Pos.026	DOUBLE RINSE HOOD	01/01/2006-
002	027	CS466D-Pos.027	CONNECTION FRAME	01/01/2006-
002	028	CS466D-Pos.028	PREWASHING TANK SUPPORT DX	01/01/2006-
002	029	CS466D-Pos.029	PREWASHING TANK	01/01/2006-
002	030	CS466D-Pos.030	PREWASHING HOOD	01/01/2006-
002	031	CS466D-Pos.031	HAT FOR BOX	01/01/2006-
002	032	CS466D-Pos.032	BAND FOR BOX	01/01/2006-
002	033	CS466D-Pos.033	FRONTAL FOR BOX	01/01/2006-
002	034	CS466D-Pos.034	PREWASHING BACK PANEL	01/01/2006-
002	035	CS466D-Pos.035	HAT FOR BOX	01/01/2006-
002	036	CS466D-Pos.036	BAND FOR BOX	01/01/2006-
002	037	CS466D-Pos.037	FRONTAL FOR BOX	01/01/2006-
003	001	3274100	DOOR	01/01/2006-
003	002	3185260	GUIDE	01/01/2006-
003	003	3023650	PROTECTION MAGNETO	01/01/2006-
003	004	3AT1470	SPRING LOCK	01/01/2006-
003	006	36G8740	SPRING	01/01/2006-
003	013	36G7580	SHAFT	01/01/2006-
003	014	36Z0720	SPLASH GUARD CURTAIN 640XH=410	01/01/2006-
003	015	3037880	BRACKET CURTAIN	01/01/2006-
003	016	3022030	DRAWER FILTER	01/01/2006-
003	017	3024510	TANK FILTER	01/01/2006-
003	018	30T2720	OVER FLOW GUIDE	01/01/2006-
003	019	3022830	Overflow pipe	01/01/2006-
003	020	33Q4740	"DRAIN CONNECTION 1""1/4"	01/01/2006-
003	021	3151930	O-RING	01/01/2006-



Page	Pos	Code	Description	Info
003	022	33Q2160	RING NUT	01/01/2006-
003	023	3FL0216	HEATING COVER	01/01/2006-
003	024	32G2170	HEATING ELEMENT 8000W	01/01/2006-
003	025	3152160	OR RING	01/01/2006-
003	026	30Q1070	BULB HOLDER	01/01/2006-
003	027	CS466D-Pos.027	GASKET	01/01/2006-
003	028	3201840	LOCK NUT 1/2"	01/01/2006-
003	029	3190430	PRESSURE SWITCH PIPE	01/01/2006-
003	030	3102100	PRESSURE-SWITCH 58/131	01/01/2006-
003	031	CS466D-Pos.031	PRESSURE SWITCH SUPP.	01/01/2006-
003	032	33Q2190	RING NUT	01/01/2006-
003	033	3151890	GASKET	01/01/2006-
003	034	33D1390	AIR TRAP	01/01/2006-
003	035	35Q9260	REED BRACKET	01/01/2006-
003	036	32Z8650	MAGNETIC REED	01/01/2006-
003	037	32V1910	THERMOSTAT 0-90	01/01/2006-
003	038	36M2830	HANDLE	01/01/2006-
003	039	3185280	DOOR SAFETY BRACKET	01/01/2006-
003	040	3185270	DOOR SAFETY	01/01/2006-
003	041	3191350	DOOR SAFETY PLATE	01/01/2006-
003	042	CS466D-Pos.042	SECOND DOOR	01/01/2006-
003	043	36Z0730	SPLASH GUARD CURTAIN 640XH=500	01/01/2006-
004	001	CS466D-Pos.001	PREWASHING PIPE	01/01/2006-
004	002	3151900	GASKET	01/01/2006-
004	003	CS466D-Pos.003	UPPER WASHING PIPE	01/01/2006-
004	004	CS466D-Pos.004	LOWER WASHING PIPE	01/01/2006-
004	005	36G9390	FLANGE	01/01/2006-
004	006	36G9400	FLANGE COUPLING	01/01/2006-
004	007	3152780	GASKET	01/01/2006-
004	008	3023380	WASHING ARM	01/01/2006-
004	009	3151980	GASKET	01/01/2006-
004	010	36Q1930	PLUG INOX	01/01/2006-
004	011	33Q2660	TANK LOADING PIPE	01/01/2006-
004	012	3152170	O-RING	01/01/2006-
004	013	33Q2190	RING NUT	01/01/2006-
004	014	CS466D-Pos.014	CLAMP	01/01/2006-
004	015	33M1210	RUBBER PIPE	01/01/2006-
004	016	33Q4290	ONTAKE PIPE FITTING	01/01/2006-
004	017	3022220	CLAMP	01/01/2006-
004	018	33M1290	RUBBER INTAKE PIPE FITTING	01/01/2006-
004	019	CS466D-Pos.019	PUMP SUPPORT	01/01/2006-
004	020	3022210	PLATE	01/01/2006-
004	021	3185290	SHOCK ABSORBERS	01/01/2006-
004	022	32M4830	PUMP	01/01/2006-
004	023	3027490	OUTLET ELBOW	01/01/2006-
005	001	3075110	ACTUATOR	01/01/2006-
005	002	3123670	WASHER	01/01/2006-
005	003	3028870	ECONOMISER BRACKET	01/01/2006-
005	004	3226310	WASHER	01/01/2006-
005	005	3110050	STEEL NUT M8X6.5	01/01/2006-
005	006	36G9030	JOINT PIN	01/01/2006-

Page	Pos	Code	Description	Info
005	007	3191780	SCREW	01/01/2006-
005	008	3117620	STEEL NUT M10X8	01/01/2006-
005	009	3245170	NUT	01/01/2006-
005	010	3245160	WASHER	01/01/2006-
005	011	3228630	MAGNET	01/01/2006-
005	012	3025480	COVER MAGNET	01/01/2006-
005	013	36R0030	PLUG	01/01/2006-
005	014	3228650	MAGNETIC REED	01/01/2006-
005	015	35W0680	REED COVER	01/01/2006-
005	016	3061510	GASKET	01/01/2006-
005	017	3023750	PIPE FITTING	01/01/2006-
005	018	3152170	O-RING	01/01/2006-
005	019	33Q2190	RING NUT	01/01/2006-
005	020	3075120	ECONOMISER ASSEMBLY	01/01/2006-
006	001	CS466D-Pos.001	DOUBLE RINSE HOOD	01/01/2006-
006	002	CS466D-Pos.002	DOOR	01/01/2006-
006	003	3185260	GUIDE	01/01/2006-
006	004	3AT1470	SPRING LOCK	01/01/2006-
006	011	36G8750	SPRING	01/01/2006-
006	013	3023650	PROTECTION MAGNETO	01/01/2006-
006	014	3185270	DOOR SAFETY	01/01/2006-
006	015	3191350	DOOR SAFETY PLATE	01/01/2006-
006	016	3185280	DOOR SAFETY BRACKET	01/01/2006-
006	017	36Z0730	SPLASH GUARD CURTAIN 640XH=500	01/01/2006-
006	018	36G7580	SHAFT	01/01/2006-
006	019	3027270	BRACKET CURTAIN	01/01/2006-
006	020	3210700	SUPPORT GUIDE	01/01/2006-
006	021	3210690	SUPPORT GUIDE	01/01/2006-
006	022	CS466D-Pos.022	FRICTION PAD BRACKET	01/01/2006-
006	023	30T3390	GUIDE SUPPORT	01/01/2006-
006	024	35Z1110	BRACKET UNLOADING TRACK	01/01/2006-
006	025	3022030	DRAWER FILTER	01/01/2006-
006	026	3025910	TANK FILTER	01/01/2006-
006	027	3035780	OVER FLOW	01/01/2006-
006	028	33Q4740	"DRAIN CONNECTION 1""1/4"	01/01/2006-
006	029	3151930	O-RING	01/01/2006-
006	030	33Q2160	RING NUT	01/01/2006-
006	031	30Q1070	BULB HOLDER	01/01/2006-
006	032	CS466D-Pos.032	GASKET	01/01/2006-
006	033	3201840	LOCK NUT 1/2"	01/01/2006-
006	034	32G2140	HEATING EL.	01/01/2006-
006	035	3152160	OR RING	01/01/2006-
006	036	33D1390	AIR TRAP	01/01/2006-
006	037	3151890	GASKET	01/01/2006-
006	038	33Q2190	RING NUT	01/01/2006-
006	039	3029690	PIPE FITTING	01/01/2006-
006	040	3FL0216	HEATING COVER	01/01/2006-
006	041	CS466D-Pos.041	THERMOSTAT BRACKET	01/01/2006-
006	042	32Z8840	THERMOSTAT 30-90C	01/01/2006-
006	043	36M2830	HANDLE	01/01/2006-
006	044	3190430	PRESSURE SWITCH PIPE	01/01/2006-

Page	Pos	Code	Description	Info
006	045	3245610	PRESSURE SWITCH	01/01/2006-
006	046	CS466D-Pos.046	PRESSURE SWITCH SUPP.	01/01/2006-
006	047	35Q9260	REED BRACKET	01/01/2006-
006	048	32Z8650	MAGNETIC REED	01/01/2006-
006	049	CS466D-Pos.049	SECOND DOOR	01/01/2006-
006	050	CS466D-Pos.050	BRACKET	01/01/2006-
007	001	CS466D-Pos.001	DOOR	01/01/2006-
007	002	3185260	GUIDE	01/01/2006-
007	003	3023650	PROTECTION MAGNETO	01/01/2006-
007	005	36G8750	SPRING	01/01/2006-
007	012	3AT1470	SPRING LOCK	01/01/2006-
007	013	3185280	DOOR SAFETY BRACKET	01/01/2006-
007	014	3185270	DOOR SAFETY	01/01/2006-
007	015	3191350	DOOR SAFETY PLATE	01/01/2006-
007	016	36M2830	HANDLE	01/01/2006-
007	017	32Z8840	THERMOSTAT 30-90C	01/01/2006-
007	018	35Q9260	REED BRACKET	01/01/2006-
007	019	32Z8650	MAGNETIC REED	01/01/2006-
007	020	33Q2160	RING NUT	01/01/2006-
007	021	30Q1070	BULB HOLDER	01/01/2006-
007	022	CS466D-Pos.022	GASKET	01/01/2006-
007	023	3201840	LOCK NUT 1/2"	01/01/2006-
007	024	3151930	O-RING	01/01/2006-
007	025	33Q4740	"DRAIN CONNECTION 1""1/4"	01/01/2006-
007	026	33D1550	OVERFLOW	01/01/2006-
007	027	33D1390	AIR TRAP	01/01/2006-
007	028	3151890	GASKET	01/01/2006-
007	029	33Q2190	RING NUT	01/01/2006-
007	030	3190430	PRESSURE SWITCH PIPE	01/01/2006-
007	031	3102090	PRESSURE-SWITCH 24/94	01/01/2006-
007	032	CS466D-Pos.032	PRESSURE SWITCH SUPP.	01/01/2006-
007	033	30T2720	OVER FLOW GUIDE	01/01/2006-
007	034	3025910	TANK FILTER	01/01/2006-
007	035	3022030	DRAWER FILTER	01/01/2006-
008	001	CS466D-Pos.001	PREWASHING TANK SUPPORT DX	01/01/2006-
008	002	3022210	PLATE	01/01/2006-
008	003	3185290	SHOCK ABSORBERS	01/01/2006-
008	004	32M4820	PUMP	01/01/2006-
008	005	3022220	CLAMP	01/01/2006-
008	006	33M1290	RUBBER INTAKE PIPE FITTING	01/01/2006-
008	007	33Q4290	ONTAKE PIPE FITTING	01/01/2006-
008	008	CS466D-Pos.008	PREWASHING PIPE	01/01/2006-
008	009	3151900	GASKET	01/01/2006-
008	010	CS466D-Pos.010	LOWER WASHING PIPE	01/01/2006-
008	011	30Z2630	UPPER PREWASHING PIPE	01/01/2006-
008	012	36G9390	FLANGE	01/01/2006-
008	013	36G9400	FLANGE COUPLING	01/01/2006-
008	014	3023380	WASHING ARM	01/01/2006-
008	015	3151980	GASKET	01/01/2006-
008	016	36Q1930	PLUG INOX	01/01/2006-
008	017	33Q2660	TANK LOADING PIPE	01/01/2006-

Page	Pos	Code	Description	Info
008	018	3152170	O-RING	01/01/2006-
008	019	33Q2190	RING NUT	01/01/2006-
008	020	CS466D-Pos.020	CLAMP	01/01/2006-
008	021	33M1210	RUBBER PIPE	01/01/2006-
008	022	3152780	GASKET	01/01/2006-
008	023	3027490	OUTLET ELBOW	01/01/2006-
009	001	3210690	SUPPORT GUIDE	01/01/2006-
009	002	3210700	SUPPORT GUIDE	01/01/2006-
009	003	3242190	PAWL BAR	01/01/2006-
009	004	CS466D-Pos.004	LATERAL BASKET GUIDE	01/01/2006-
009	005	CS466D-Pos.005	LOWER BASKET GUIDE	01/01/2006-
009	006	36G7550	PAWL	01/01/2006-
009	007	33Q2830	PIN	01/01/2006-
009	008	3FL0314	SEEGER	01/01/2006-
009	009	CS466D-Pos.009	PAWL BAR	01/01/2006-
009	010	3033830	CONNECTION GUIDE	01/01/2006-
010	001	CS466D-Pos.001	SPEED REDUCER SUPPORT	01/01/2006-
010	002	CS466D-Pos.002	SPEED REDUCER PLATE	01/01/2006-
010	003	32M4850	SPEED REDUCER	01/01/2006-
010	004	CS466D-Pos.004	SPROCKET Z32	01/01/2006-
010	005	36G7540	TORQUE LIMITER	01/01/2006-
010	006	36G7690	GEAR	01/01/2006-
010	007	36G8880	"CHAIN P= 1/2"" (C165/C92)"	01/01/2006-
010	008	37Q1640	GASKET	01/01/2006-
010	009	36G7590	TOWING GEAR	01/01/2006-
010	010	36G7500	BALL BEARING	01/01/2006-
010	012	3151940	SEAL	01/01/2006-
010	013	3120950	SEEGER Ø20	01/01/2006-
010	014	36H0210	PIN	01/01/2006-
010	015	36G7510	BEARING	01/01/2006-
010	016	3120420	WASHER	01/01/2006-
010	017	3104860	STEEL SCREW M8x70	01/01/2006-
010	018	3095670	DRIVE EXCENTER	01/01/2006-
010	019	3191110	KEY 6X6X25	01/01/2006-
011	001	3035890	UPPER/LOWER RINSE ARM	01/01/2006-
011	002	33T2740	SPRAYING NOZZLE	01/01/2006-
011	004	3152400	OO	01/01/2006-
011	005	3035880	COMPLETE SPRAYING NOZZLE	01/01/2006-
011	006	3035900	RINSE PIPE	01/01/2006-
011	007	3152810	GASKET	01/01/2006-
011	008	CS466D-Pos.008	CLAMP	01/01/2006-
011	009	33M1210	RUBBER PIPE	01/01/2006-
011	010	33Q4770	PIPE FITTING 1/2"	01/01/2006-
011	011	33D1060	"SOLENOID VALVE 1/2"""	01/01/2006-
011	012	3022550	PIPE UNION 1/2"	01/01/2006-
011	013	3071310	"NIPPLE 1/2"""	01/01/2006-
011	014	3044700	PLUG	01/01/2006-
011	015	3044690	GASKET	01/01/2006-
011	016	30Q1290	FILTER	01/01/2006-
011	017	30Q1490	FILTER	01/01/2006-
011	018	3071300	"PIPE UNION 1/2"""	01/01/2006-

Page	Pos	Code	Description	Info
011	019	33D3220	"PRESSURE REDUCER 1/2""	01/01/2006-
011	020	33D2090	PRESSURE GANGE 0- 4BAR Ø50 - 1	01/01/2006-
011	021	33D1050	"SOLENOID VALVE 3/4""	01/01/2006-
011	022	3022540	PIPE FITTING 3/4"	01/01/2006-
011	023	3071290	"NIPPLE 3/4""-1/2""	01/01/2006-
011	024	33D2100	SAFETY VALVE	01/01/2006-
011	025	33T3200	LOCK NUT 3/8"	01/01/2006-
011	026	33T4370	DOUBLE RINSE JET	01/01/2006-
011	027	3191360	DOUBLE RINSE ARM	01/01/2006-
011	028	CS466D-Pos.028	PIPE FITTING	01/01/2006-
011	029	CS466D-Pos.029	CLAMP	01/01/2006-
011	030	3101950	OUTLET ELBOW	01/01/2006-
011	031	3088040	PUMP	01/01/2006-
011	032	CS466D-Pos.032	PUMP SUPPORT	01/01/2006-
011	033	34A2150	BOILER	01/01/2006-
011	034	32G2720	HEATING ELEMENT 9KW	01/01/2006-
011	035	30Q2610	HEATING COVER	01/01/2006-
011	036	33Q2160	RING NUT	01/01/2006-
011	037	3151930	O-RING	01/01/2006-
011	038	33Q2270	PIPE FITTING	01/01/2006-
011	039	30Q1330	FILTER	01/01/2006-
011	040	3100110	RING NUT	01/01/2006-
011	041	30Q1070	BULB HOLDER	01/01/2006-
012	001	3210690	SUPPORT GUIDE	01/01/2006-
012	002	3210700	SUPPORT GUIDE	01/01/2006-
012	003	30T3390	GUIDE SUPPORT	01/01/2006-
012	004	CS466D-Pos.004	BRACKET	01/01/2006-
012	005	3108900	PAWL BAR	01/01/2006-
012	006	36G7550	PAWL	01/01/2006-
012	007	33Q2830	PIN	01/01/2006-
012	008	3FL0314	SEEGER	01/01/2006-
012	009	CS466D-Pos.009	FRICTION PAD BRACKET	01/01/2006-
012	010	3033830	CONNECTION GUIDE	01/01/2006-
013	001	3274100	DOOR	01/01/2006-
013	002	3185260	GUIDE	01/01/2006-
013	003	3023650	PROTECTION MAGNETO	01/01/2006-
013	004	3AT1470	SPRING LOCK	01/01/2006-
013	006	36G8740	SPRING	01/01/2006-
013	013	36G7580	SHAFT	01/01/2006-
013	014	36Z0720	SPLASH GUARD CURTAIN 640XH=410	01/01/2006-
013	015	3037880	BRACKET CURTAIN	01/01/2006-
013	016	3022030	DRAWER FILTER	01/01/2006-
013	017	3024510	TANK FILTER	01/01/2006-
013	018	30T2720	OVER FLOW GUIDE	01/01/2006-
013	019	33D2880	RODDED OVERFLOW H=430	01/01/2006-
013	020	33Q4740	"DRAIN CONNECTION 1""1/4"	01/01/2006-
013	021	3151930	O-RING	01/01/2006-
013	022	33Q2160	RING NUT	01/01/2006-
013	023	30Q2610	HEATING COVER	01/01/2006-
013	024	32G2170	HEATING ELEMENT 8000W	01/01/2006-
013	025	3152160	OR RING	01/01/2006-

Page	Pos	Code	Description	Info
013	026	30Q1070	BULB HOLDER	01/01/2006-
013	027	CS466D-Pos.027	GASKET	01/01/2006-
013	028	3201840	LOCK NUT 1/2"	01/01/2006-
013	029	3190430	PRESSURE SWITCH PIPE	01/01/2006-
013	030	3102100	PRESSURE-SWITCH 58/131	01/01/2006-
013	031	CS466D-Pos.031	PRESSURE SWITCH SUPP.	01/01/2006-
013	032	33Q2190	RING NUT	01/01/2006-
013	033	3151890	GASKET	01/01/2006-
013	034	33D1390	AIR TRAP	01/01/2006-
013	035	35Q9260	REED BRACKET	01/01/2006-
013	036	32Z8650	MAGNETIC REED	01/01/2006-
013	037	32V1910	THERMOSTAT 0-90	01/01/2006-
013	038	36M2830	HANDLE	01/01/2006-
013	039	3185280	DOOR SAFETY BRACKET	01/01/2006-
013	040	3185270	DOOR SAFETY	01/01/2006-
013	041	3191350	DOOR SAFETY PLATE	01/01/2006-
013	042	CS466D-Pos.042	SECOND DOOR	01/01/2006-
013	043	32G2180	HEATING ELEMENT	01/01/2006-
014	001	3210690	SUPPORT GUIDE	01/01/2006-
014	002	3210700	SUPPORT GUIDE	01/01/2006-
014	003	CS466D-Pos.003	PAWL BAR	01/01/2006-
014	004	CS466D-Pos.004	LATERAL BASKET GUIDE	01/01/2006-
014	005	CS466D-Pos.005	LOWER BASKET GUIDE	01/01/2006-
014	006	36G7550	PAWL	01/01/2006-
014	007	33Q2830	PIN	01/01/2006-
014	008	3FL0314	SEEGER	01/01/2006-
014	009	3033830	CONNECTION GUIDE	01/01/2006-
015	001	CS466D-Pos.001	CONTROL PANEL	01/01/2006-
015	002	3114640	PLATE	01/01/2006-
015	003	3024980	GREEN SELECTOR 0 - 1	01/01/2006-
015	004	32W1730	GREEN SWITCH	01/01/2006-
015	005	32W1740	RED SWITCH	01/01/2006-
015	006	32W1980	MAIN SWITCH 0-1-2	01/01/2006-
015	007	32Z8250	DIGITAL THERMOMETER	01/01/2006-
015	008	32W1750	MAIN STOP PUSH BUTTON	01/01/2006-
015	009	CS466D-Pos.009	CABLE TRUNKING	01/01/2006-
015	010	32V6570	TRANSFORMER	01/01/2006-
015	011	32Z9000	MAIN SWITCH	01/01/2006-
015	012	32Z9020	SWITCH	01/01/2006-
015	013	32Z8580	MAIN SWITCH	01/01/2006-
015	014	32Z8590	MAIN SWITCH	01/01/2006-
015	015	3001790	SWITCH	01/01/2006-
015	016	32V5470	RELAY 32A	01/01/2006-
015	017	32V0560	CONTACTOR	01/01/2008-
015	018	32Z8780	OVERLOAD RELAY 4- 6A	01/01/2006-
015	019	32Z8710	OVERLOAD RELAY	01/01/2006-
015	020	3069840	TERMINAL BOARD	01/01/2006-
015	021	3002540	TERMINAL	01/01/2006-
015	022	32V4940	TERMINAL 10 mm	01/01/2006-
015	023	CS466D-Pos.023	TERMINAL	01/01/2006-
015	024	3246960	TERMINAL	01/01/2006-

<b>Page</b>	<b>Pos</b>	<b>Code</b>	<b>Description</b>	<b>Info</b>
015	025	CS466D-Pos.025	TERMINAL BLOCK FLANGE	01/01/2006-
015	026	32Z8640	RELAY	01/01/2006-
015	027	CS466D-Pos.027	CABINET COVER	01/01/2006-
015	028	CS466D-Pos.028	CABINET	01/01/2006-
015	029	CS466D-Pos.029	TERMINAL	01/01/2006-
015	030	CS466D-Pos.030	TERMINAL	01/01/2006-
015	031	3245730	TIMER	01/01/2006-
015	032	32V4980	CONTACTOR	01/01/2006-
015	033	32Z8730	OVERLOAD RELAY 2,5- 4A	01/01/2006-
015	034	3004890	CONTACTOR	01/01/2006-