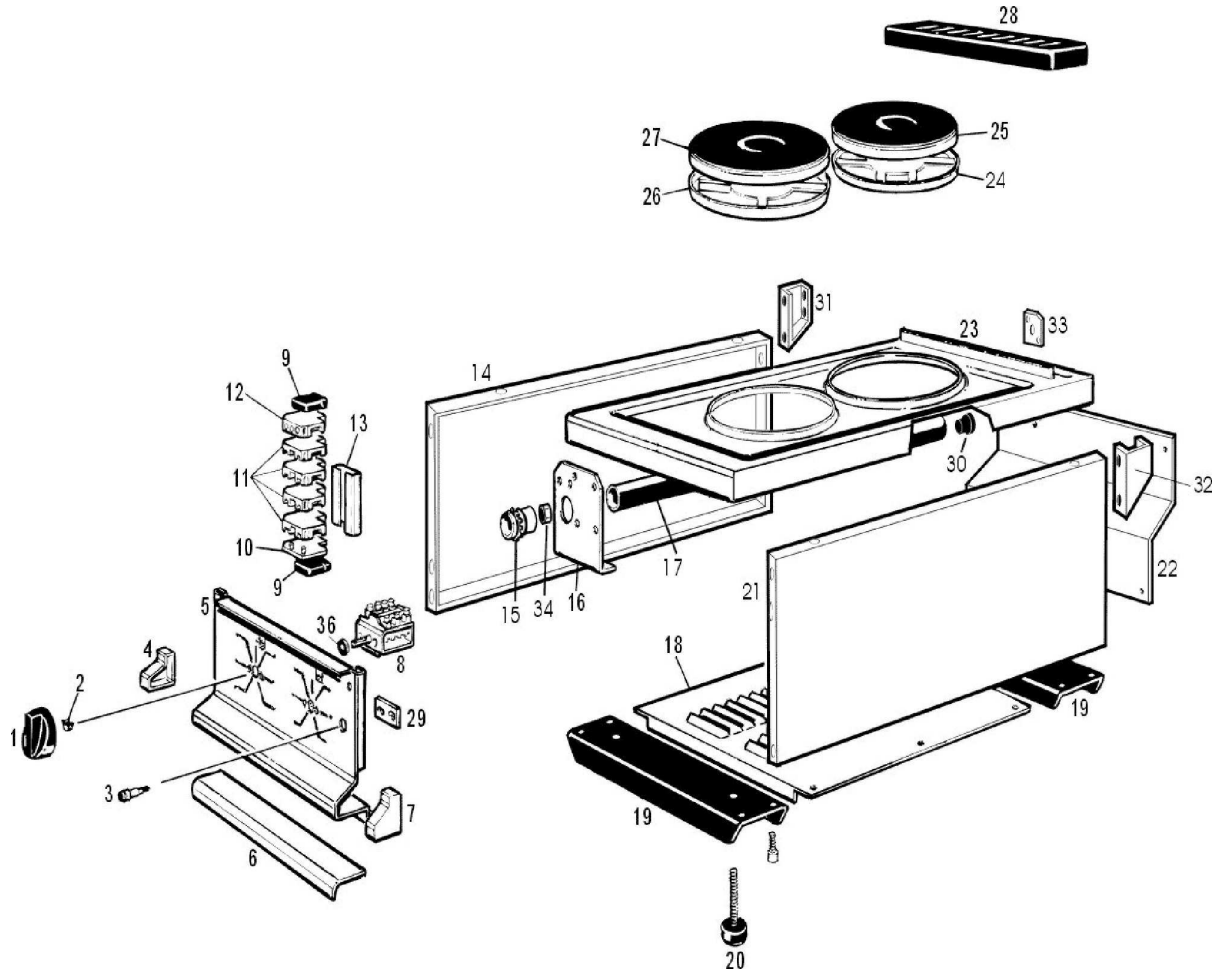




030E

Edition 20070523-



Pos	Code	Description	Info
001	36M2400	ELECTRIC CONTROL KNOB	01/09/1996-
002	3170290	KNOB SPRING	01/09/1996-
003	3106710	GREEN LIGHT 230V	23/05/2007-
004	36D3430	LH END SIDE	01/09/1996-
005	35B3480	UPPER CONTROL BOARD	01/09/1996-
006	35S1720	BRACKET	01/09/1996-
007	36D3420	RH END SIDE	01/09/1996-
008	32W0760	SWITCH	01/09/1996-
009	32D0060	TERMINAL CLAMPING BOARD	01/09/1996-
010	32D0490	TERMINAL END COVER	01/09/1996-
011	32D0470	LIVE TERMINAL	01/09/1996-
012	32D0480	GROUND TERMINAL	01/09/1996-
013	32D0500	"C" BRACKET	01/09/1996-
014	35C0590	LH PANEL	01/09/1996-
015	32D1250	PIPE JOINT 3/4"	01/09/1996-
016	35T3511	"L" BRACKET	25/10/2000-
017	35X3630	CABLE INLET PIPE	01/09/1996-
018	35D4460	BOTTOM PLATE	01/09/1996-
019	30T2531	FOOT HOUSING ASS. Y	01/09/1996-
020	36D2970	ADJUSTABLE FOOT	01/09/1996-
021	35C0600	RH PANEL	01/09/1996-
022	35B2022	REAR PANEL	01/09/1996-
023	30M1890	TOP ASS. Y	01/09/1996-
024	36Z0150	EL. PLATE BOTTOM Ø 180	01/09/1996-
025	32G0030	ELECTRIC PLATE Ø180 - 2000W - 220V/230V	01/09/1996-
025	32G0290	ELECTRIC PLATE Ø180 - 2000W - 400V	01/09/1996-
025	32G1320	ELECTRIC PLATE Ø180 - 2000W - 415V	01/09/1996-
026	36Z0310	EL. PLATE BOTTOM Ø 220	01/09/1996-
027	32G0020	ELECTRIC PLATE Ø220 - 2600W - 220V/230V	01/09/1996-
027	32G0300	ELECTRIC PLATE Ø220 - 2600W - 400V	01/09/1996-
027	32G1330	ELECTRIC PLATE Ø220 - 2600W - 415V	01/09/1996-
028	35D4280	FLUE GUARD	01/09/1996-
029	35T9650	FLAT BRACKET	01/09/1996-
030	32D1260	BUSHING	01/09/1996-
031	35Q8290	LEFT HAND PANEL	01/09/1996-
032	35Q8300	RIGHT HAND PANEL	01/09/1996-
033	35T3891	FLAT BRACKET	24/01/1997-
034	36Q1100	LOCK NUT 3/4"	01/09/1996-
035	32Q2180	EL. CABLES 030E	01/09/1996-
036	3150790	THERMOSTAT PROTECT.	03/03/2001-