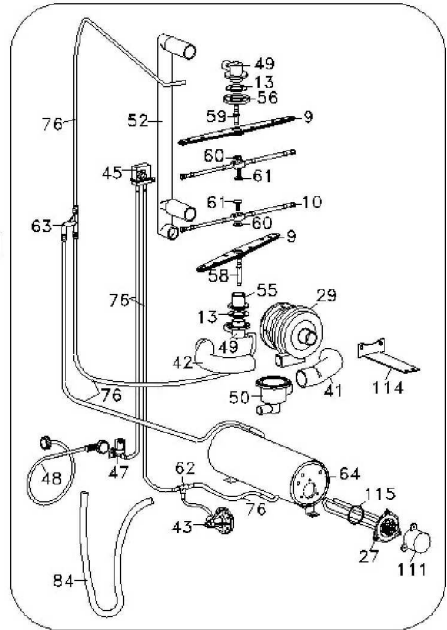
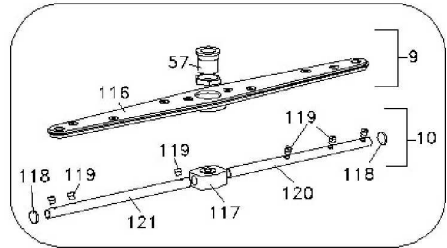
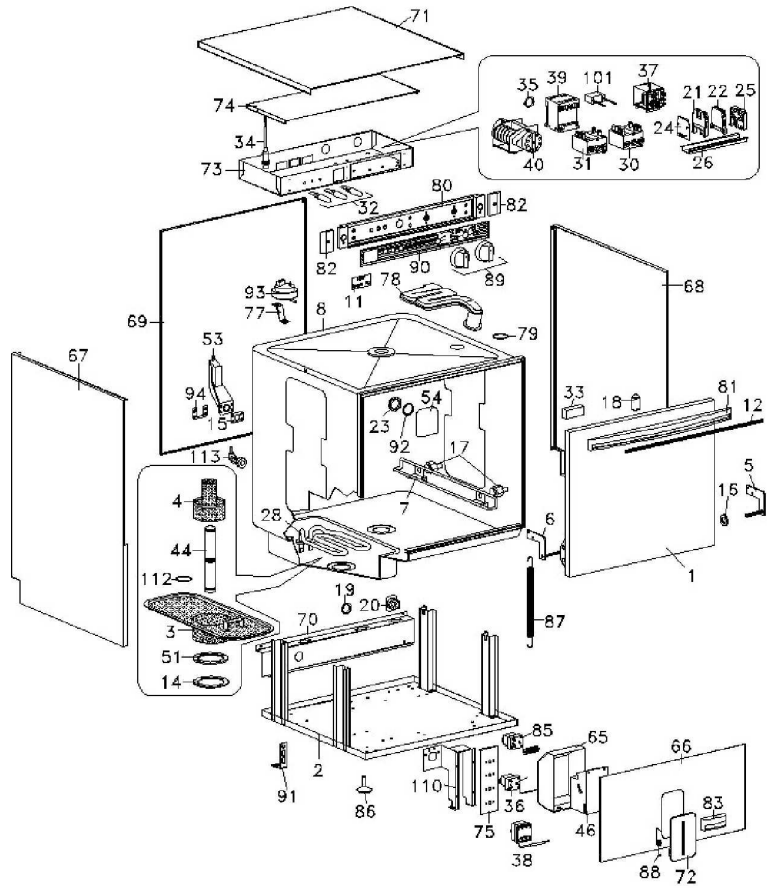




F60P

Edition 20140115-



Pos	Code	Description	Info
001	30G3190	DOOR ASS. Y	01/05/1997-
002	30M3270	BOTTOM PLATE	01/05/1997-
003	30Q0280	FILTER	01/05/1997-
004	30Q1510	FILTER Ø98 H=117	18/11/1999-
005	30T1340	RIGHT-HAND HINGE	01/05/1997-
006	30T1350	LEFT HAND HINGE	01/05/1997-
007	30T1370	GUIDE	01/05/1997-
008	30W0870	TANK	01/05/1997-
009	36G8540	WASH BLADES 495X58X16	12/06/1999-
010	30Z1491	COMPL. RINSE ARM	14/12/2007-
011	37M7120	NAME PLATE	01/05/1997-
012	37M7200	DOOR TRIM	01/05/1997-
013	3150230	GASKET	01/05/1997-
014	3150290	SUMP GASKET	01/05/1997-
015	3151770	GASKET	01/05/1997-
016	3152010	GASKET	01/05/1997-
017	3190360	PIN	01/05/1997-
018	31W0061	SPRING	16/04/1998-
019	32X0130	GROMMET Ø29-Ø37	01/05/1997-
020	32D0440	CABLE CLAMP	01/05/1997-
021	32D0840	LIVE TERMINAL	01/05/1997-
022	32D0860	GROUND TERMINAL	01/05/1997-
023	32D1140	LOCK NUT	01/05/1997-
024	32D0850	TERMINAL	01/11/1997-
025	32D1220	TERMINAL CLAMPING BOARD	01/05/1997-
026	32D1230	"OMEGA" BRACKET	01/05/1997-
027	32G0400	HEATING EL.	18/11/1999-
028	3240720	HEATING ELEMENT	01/05/1997-
029	32M4760	MOTOR PUMP	18/11/1999-
030	32W0970	SWITCH	01/05/1997-
031	32W0980	SWITCH	01/05/1997-
032	32W1670	SIGNAL LAMP	01/05/1997-
033	32W0870	MAGNET	01/05/1997-
034	32W3240	MICROSWITCH	01/05/1997-
035	32X0120	GROMMETØ 21	01/05/1997-
036	32V0200	THERMOSTAT 30°- 90°	01/05/1997-
037	32Z2000	RELAY	01/05/1997-
038	32Z2011	SAFETY THERMOSTAT	01/05/1997-
039	32Z4801	RELAY	01/05/1997-
040	32Z8100	PROGRAMMER	01/05/1997-
041	3300230	DISCHARGE	01/05/1997-
042	3300240	ASPIRATION DISCHARGE	01/05/1997-
043	33D0061	DISPENSER	01/05/1997-
044	33D0140	OVERFLOW	15/01/2014-
045	33D2230	CHECK VALVE	18/11/1999-
046	33D0660	RINSE AID TANK	01/05/1997-
047	33D1371	INLET WATER SOLENOID VALVE	01/05/1997-
048	33M0350	PIPE	01/05/1997-
049	33M0130	WASHING/RINSE HUB	01/05/1997-
050	33M0170	SUMP	01/05/1997-
051	33M0180	FLANGE	01/05/1997-

Pos	Code	Description	Info
052	33M0490	PIPE	01/05/1997-
053	33M0220	AIR TRAP	01/05/1997-
055	3070540	WASHING INFER. PIPE FITTING	22/05/2006-
056	33M0360	FLANGE	01/05/1997-
057	33M0500	HUB+NUT	01/05/1997-
058	33Q2000	PIN	18/11/1999-
059	33Q1090	PIN	01/05/1997-
060	33Q1860	RING NUT	01/05/1997-
061	33Q1890	PIN	01/05/1997-
062	33Q3070	"PIPE FITTING ""T"""	01/05/1997-
063	33M0580	RINSE COUPLING	01/05/1997-
064	34A0760	BOILER	01/05/1997-
065	35A0530	CONTAINER BACK	01/05/1997-
066	35D2750	BOTTOM PANEL	01/05/1997-
067	35D2950	LH SIDE PANEL	01/05/1997-
068	35D2960	RH SIDE PANEL	01/05/1997-
069	35D2990	BACK PANEL	01/05/1997-
070	35D8710	SOL. VALVE SUPPORT	01/05/1997-
071	35G1570	TOP PANEL	01/05/1997-
072	35G2120	DOOR	01/05/1997-
073	35S2290	ELECTRIC BOX	01/05/1997-
074	35S2300	COVER	01/05/1997-
075	35T0610	THERMOSTAT SUPPORT	01/05/1997-
076	131AA14	RUBBER HOSE Ø20x13	01/05/1997-
077	35V8380	PRESSOSTAT SWITCH SUPPORT	01/05/1997-
078	33M0630	STEAM CONDENSER	01/05/1997-
079	3150010	"O" RING	01/05/1997-
080	3601130	CONTROL BOARD	01/05/1997-
081	3601140	DOOR HANDLE	01/05/1997-
082	3601150	SIDE HEAD	01/05/1997-
083	3601190	HANDLE	01/05/1997-
084	3300420	DRAIN PIPE	01/05/1997-
085	32V0100	THERMOSTAT 30°-60°	01/05/1997-
086	36E0010	FOOT	01/05/1997-
087	36G1340	SPRING	01/05/1997-
088	36G2540	SPRING	01/05/1997-
089	36M1511	HANDLE	01/05/1997-
090	37M7160	CTRL BOARD BAND	01/05/1997-
091	35S2830	PUMP SUPPORT	01/05/1997-
092	37Q1320	GASKET	01/05/1997-
093	32Z4741	PRESSURE-SWITCH 30/70	18/11/1999-
094	35Z0050	TRAP PLATE	01/05/1997-
101	32Z8510	FILTER	01/05/1997-
110	35C8220	PROP. DÉVICE SUPPORT	01/05/1997-
111	3150321	HEAT.ELEM.PROTECTION	01/05/1997-
112	3150520	"O" RING	01/05/1997-
113	33Q4440	DETERGENTCOUPL.	18/11/1999-
114	35E0040	MOTOR PUMP SUPPORT	01/05/1997-
115	3150430	"O" RING Ø 56.52	01/05/1997-
116	36G8540	WASH BLADES	01/05/1997-
117	36G8550	495X58X16 RINSE HUB	01/05/1997-

Pos	Code	Description	Info
118	36R0030	PLUG	01/05/1997-
119	33T2740	SPRAYING NOZZLE	01/05/1997-
120	35X4020	RH RINSE ARM	01/05/1997-
121	35X4030	LH RINSE ARM	01/05/1997-
122	33M0300	SPACER	18/11/1999-
123	3150520	"O" RING	01/01/2001-