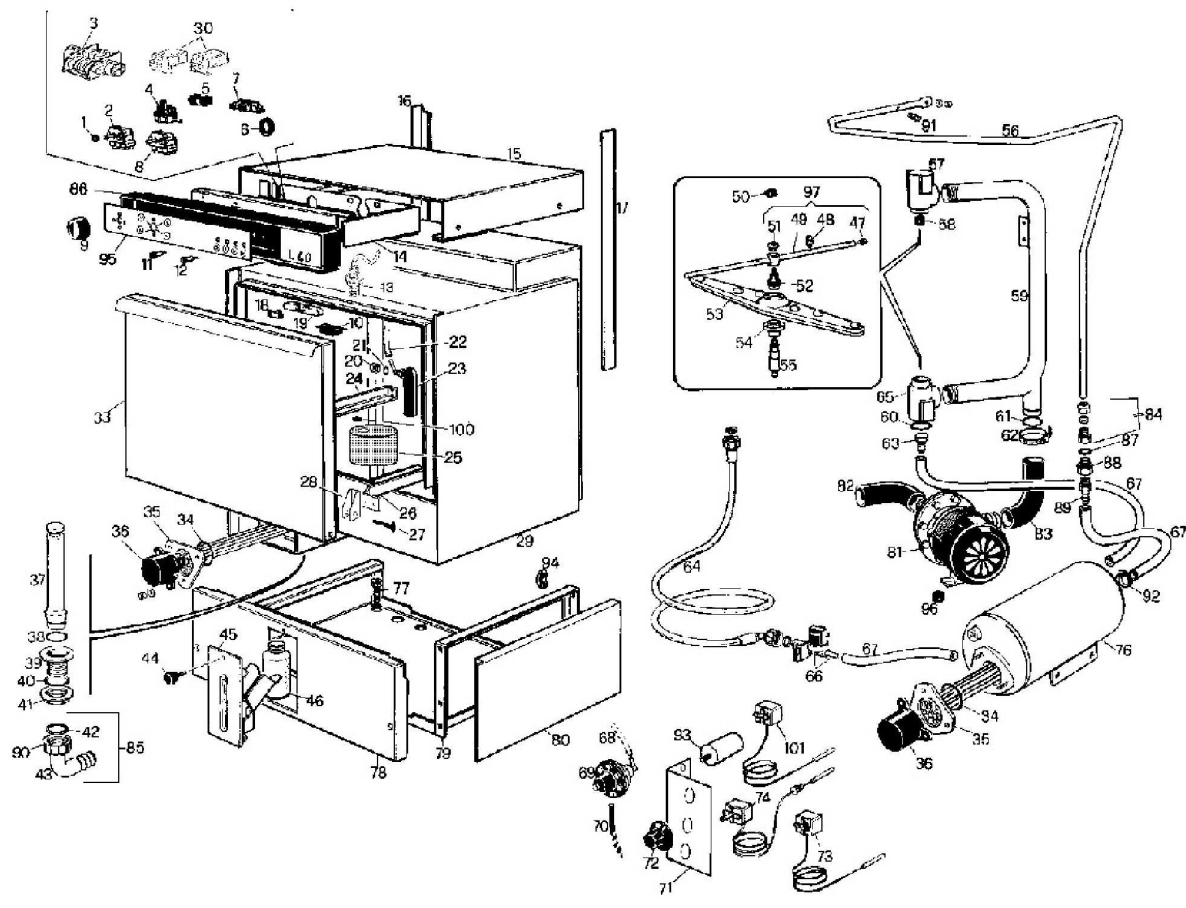




L40

Edition 20070523-



Pos	Code	Description	Info
001	3150790	THERMOSTAT PROTECT.	01/04/1997-
002	32W0970	SWITCH	01/04/1997-
003	32Z2020	PROGRAMMER	01/04/1997-
004	32Z4741	PRESSURE-SWITCH 30/70	01/04/1997-
005	32D0440	CABLE CLAMP	01/04/1997-
006	32X0130	GROMMET Ø29-Ø37	01/04/1997-
007	32D0171	TERMINAL BOARD	01/04/1997-
008	32W0980	SWITCH	01/04/1997-
009	36M1511	HANDLE	01/04/1997-
010	32W0870	MAGNET	01/04/1997-
011	3106730	ORANGE LIGHT 230V	23/05/2007-
012	3106710	GREEN LIGHT 230V	23/05/2007-
013	32W3240	MICROSWITCH	01/04/1997-
014	35S2071	ELECTRIC BOX	01/04/1997-
015	35G3200	COVER	01/04/1997-
016	35Q2620	GUARD	01/04/1997-
017	35Q2610	GUARD	01/04/1997-
018	36M0030	LATCH	01/04/1997-
019	36M0020	LOCK	01/04/1997-
020	3117580	LOCK NUT	01/04/1997-
021	3150410	"O" RING Ø 18.72	01/04/1997-
022	131AA08	HOSE	01/04/1997-
023	33D0360	PRESSURE SWITCH	01/04/1997-
024	35S1870	LH GUIDE	01/04/1997-
025	30Q0210	FILTER	01/04/1997-
026	35S1970	RH/GUIDE	01/04/1997-
027	3190130	PIN	01/04/1997-
028	35S1980	DOOR HINGE	01/04/1997-
029	30W0290	TANK ASS.	01/04/1997-
030	32Z2000	RELAY	01/04/1997-
033	30G0780	DOOR ASS. Y	01/04/1997-
034	3150430	"O" RING Ø 56.52	01/04/1997-
035	32G0390	HEATING EL.	01/04/1997-
036	3150321	HEAT.ELEM.PROTECTION	01/04/1997-
037	33D0341	OVERFLOW 43X185	01/04/1997-
038	3150260	"O" RING	01/04/1997-
039	33Q3050	OVER FLOW DRAIN.	01/04/1997-
040	3150240	"OR"GASKET	01/04/1997-
041	33Q0240	NUT 1 1/2"	01/04/1997-
042	37Q1510	GASKET	01/04/1997-
043	33Q2110	ELBOW JOINT	01/04/1997-
044	36M2121	HANDLE	01/04/1997-
045	3AG0100	COVER	01/04/1997-
046	33D1350	RINSE AID TANK	01/04/1997-
047	36Q0180	PLUG	01/04/1997-
048	33T1121	NOZZLE	05/04/1997-
049	3031670	RINSE ARM + INJECTOR	01/04/2004-
051	36D0740	BUSHING	01/04/1997-
052	36D0720	RINSE HUB	01/04/1997-
053	30Z7330	RINSING ARM	01/04/1997-
054	33Q3380	RINSE ARM. MUB	01/04/1997-

Pos	Code	Description	Info
055	33Q0420	RINSE JOINT PIPE	01/04/1997-
056	3AZ0010	RINSE ASS.Y	01/04/1997-
057	36D4050	WASHING SUPPORT	01/04/1997-
058	33Q5070	RING NUT	01/04/1997-
059	30Z7250	WASHING PIPE ASS.Y	01/04/1997-
060	3150140	"O" RING	01/04/1997-
061	3150010	"O" RING	01/04/1997-
062	3140330	PIPE CLAMP	01/04/1997-
063	33Q0150	"HOSE SUPPORT 1/2""	01/04/1997-
064	33M0350	F" PIPE	01/04/1997-
065	36D9540	BOTTOM WASH SUPPORT	01/04/1997-
066	33D1371	INLET WATER SOLENOID VALVE	01/04/1997-
067	131AA16	PIPE Ø20-Ø13	01/04/1997-
068	111AA09	PROTECTION PIPE	01/04/1997-
069	33D0061	DISPENSER	01/04/1997-
070	111AA15	PIPE Ø13-Ø8	01/04/1997-
071	35S2090	SUPPORT	01/04/1997-
072	36M0700	HANDLE	01/04/1997-
073	32Z2430	THERMOSTAT	01/04/1997-
074	32Z0160	THERMOSTAT 30-90°C	01/04/1997-
076	34A1590	BOILER 7 LTRS.	01/04/1997-
077	31A9121	SCREW	01/04/1997-
078	35B3571	LOWER FRONT PANEL	01/04/1997-
079	30M2081	FRAME ASS.Y	01/04/1997-
080	35B2600	RH/SIDE PANEL	01/04/1997-
081	32M2140	MOTOR PUMP	01/04/1997-
081	32M2330	MOTOR PUMP	01/04/1997-
081	32M2340	MOTOR PUMP	01/04/1997-
082	35Z2810	PIPE	01/04/1997-
083	35Z2620	PIPE	01/04/1997-
084	33Q0740	"FITTING F 1/2""	01/04/1997-
085	6000340	DRAIN COUPLING	01/04/1997-
086	35B8741	CONTROL BOARD	01/04/1997-
087	3150690	"O" RING	01/04/1997-
088	33Q5190	M.F. REDUCTION	01/04/1997-
089	33Q5100	PIPE FITTING	01/04/1997-
090	33Q2320	RING NUT	01/04/1997-
091	33T3720	NOZZLE	01/04/1997-
092	3140230	12/20 PIPE CLAMP	01/04/1997-
093	32Z1310	CONDENSER WITH CAP	01/04/1997-
094	32D0020	CABLE CLAMP Ø 4 - 12	01/04/1997-
095	37M1150	CONTROL PANEL	01/04/1997-
096	32X0140	GROMMET Ø13,5-Ø25	01/04/1997-
097	6001920	RINSING ARM ASS.Y	01/04/1997-
099	32Q0560	CABLE ASS.Y	01/04/1997-
100	3100110	RING NUT	01/04/1997-
101	32Z2011	SAFETY THERMOSTAT	01/04/1997-