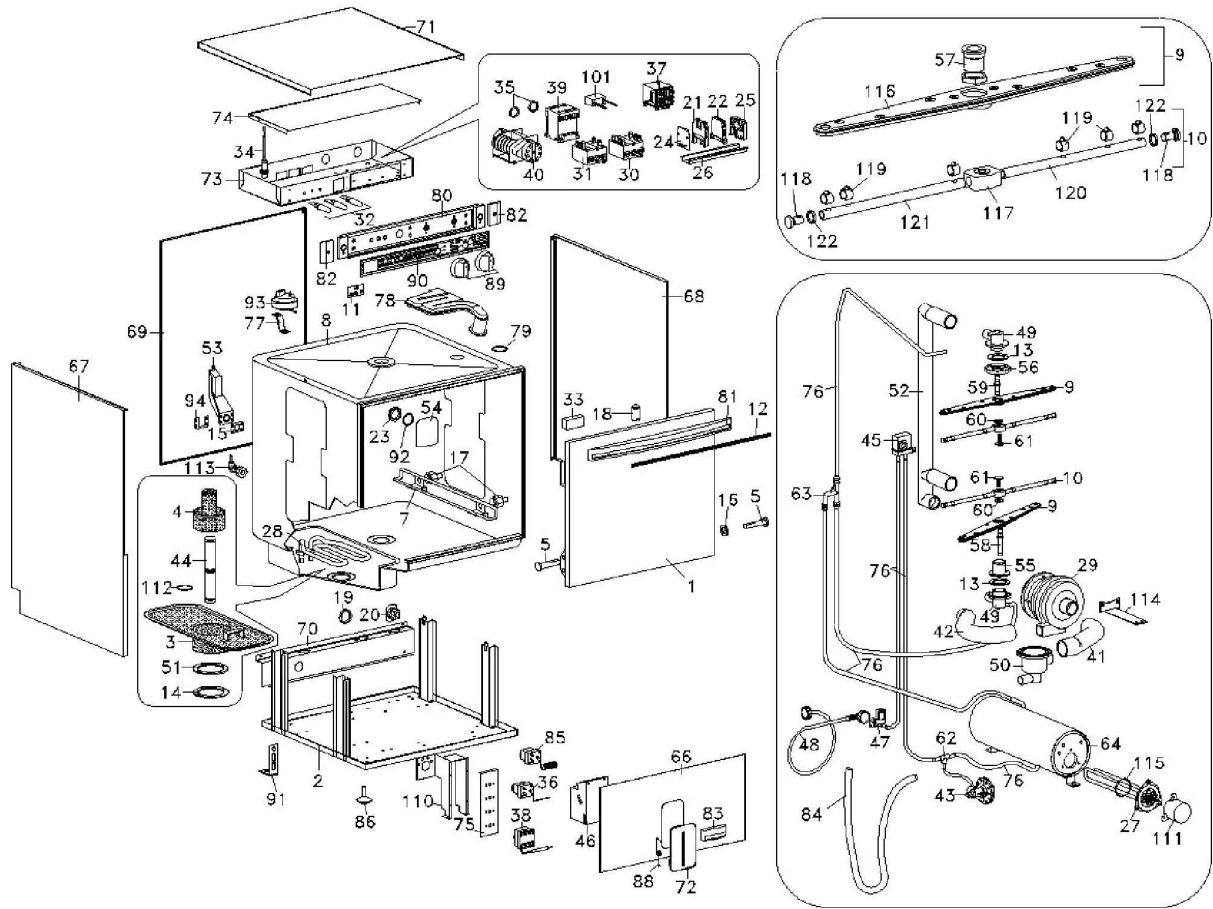




**L45**

**Edition 20140115-**



Pos	Code	Description	Info
001	30G3190	DOOR ASS. Y	01/10/1997-
002	30M3270	BOTTOM PLATE	01/10/1997-
003	30Q0280	FILTER	01/10/1997-
004	30Q1510	FILTER Ø98 H=117	18/11/1999-
005	30T3150	HINGE RH-LH	01/10/1997-
007	30T1370	GUIDE	01/10/1997-
008	30W0870	TANK	01/10/1997-
009	36G8540	WASH BLADES 495X58X16	12/06/1999-
010	30Z1491	COMPL. RINSE ARM	01/10/1997-
011	37M7111	NAME PLATE	01/10/1997-
012	37M7200	DOOR TRIM	01/10/1997-
013	3150230	GASKET	01/10/1997-
014	3150290	SUMP GASKET	01/10/1997-
015	3151770	GASKET	01/10/1997-
016	3152010	GASKET	01/10/1997-
017	3190360	PIN	01/10/1997-
018	31W0061	SPRING	16/04/1998-
019	32X0130	GROMMET Ø29-Ø37	01/10/1997-
020	32D0440	CABLE CLAMP	01/10/1997-
021	32D0840	LIVE TERMINAL	01/10/1997-
022	32D0860	GROUND TERMINAL	01/10/1997-
023	32D1140	LOCK NUT	01/10/1997-
024	32D0850	TERMINAL	01/11/1997-
025	32D1220	TERMINAL CLAMPING	01/10/1997-
026	32D1230	BOARD "OMEGA" BRACKET	01/10/1997-
027	32G0400	HEATING EL.	18/11/1999-
028	3240720	HEATING ELEMENT	01/10/1997-
029	32M4760	MOTOR PUMP	18/11/1999-
030	32W0970	SWITCH	01/10/1997-
031	32W0980	SWITCH	01/10/1997-
032	32W1670	SIGNAL LAMP	01/10/1997-
033	32W0870	MAGNET	01/10/1997-
034	32W3240	MICROSWITCH	01/10/1997-
035	32X0120	GROMMET Ø 21	01/10/1997-
036	32V0200	THERMOSTAT 30° - 90°	01/10/1997-
037	32Z2000	RELAY	01/10/1997-
038	32Z2011	SAFETY THERMOSTAT	01/10/1997-
039	32Z4801	RELAY	01/10/1997-
040	32Z8100	PROGRAMMER	05/10/1997-
041	3300230	DISCHARGE ASPIRATION	01/10/1997-
042	3300240	DISCHARGE	01/10/1997-
043	33D0061	DISPENSER	01/10/1997-
044	33D0140	OVERFLOW	15/01/2014-
045	33D2230	CHECK VALVE	18/11/1999-
046	33D0660	RINSE AID TANK	01/10/1997-
047	33D1371	INLET WATER SOLENOID	01/10/1997-
048	33M0350	VALVE PIPE	01/10/1997-
049	33M0130	WASHING/RINSE HUB	01/10/1997-
050	33M0170	SUMP	01/10/1997-
051	33M0180	FLANGE	01/10/1997-
052	33M0490	PIPE	01/10/1997-

Pos	Code	Description	Info
053	33M0220	AIR TRAP	01/10/1997-
055	3070540	WASHING INFER. PIPE	22/05/2006-
056	33M0360	FITTING FLANGE	01/10/1997-
057	33M0500	HUB+NUT	01/10/1997-
058	33Q2000	PIN	18/11/1999-
059	33Q1090	PIN	01/10/1997-
060	33Q1860	RING NUT	01/10/1997-
061	33Q1890	PIN	01/10/1997-
062	33Q3070	"PIPE FITTING ""T"""	01/10/1997-
063	33M0580	RINSE COUPLING	01/10/1997-
064	34A0760	BOILER	01/10/1997-
066	35D2750	BOTTOM PANEL	01/10/1997-
067	35D2950	LH SIDE PANEL	01/10/1997-
068	35D2960	RH SIDE PANEL	01/10/1997-
069	35C8210	BACK PANEL	01/10/1997-
070	35D8710	SOL. VALVE SUPPORT	01/10/1997-
071	35G1570	TOP PANEL	01/10/1997-
072	35G2120	DOOR	01/10/1997-
073	35S2290	ELECTRIC BOX	01/10/1997-
074	35S2300	COVER	01/10/1997-
075	35T0610	THERMOSTAT SUPPORT	01/10/1997-
076	131AA14	RUBBER HOSE Ø20x13	01/10/1997-
077	35V8380	PRESSOSTAT SWITCH SUPPORT	01/10/1997-
078	33M0630	STEAM CONDENSER	01/10/1997-
079	3150010	"O" RING	01/10/1997-
080	3601130	CONTROL BOARD	01/10/1997-
081	3601140	DOOR HANDLE	01/10/1997-
082	3601150	SIDE HEAD	01/10/1997-
083	3601190	HANDLE	01/10/1997-
084	3300420	DRAIN PIPE	01/10/1997-
085	32V0100	THERMOSTAT 30°-60°	01/10/1997-
086	36E0010	FOOT	01/10/1997-
088	36G2540	SPRING	01/10/1997-
089	36M1511	HANDLE	01/10/1997-
090	37M7160	CTRL BOARD BAND	01/10/1997-
091	35S2830	PUMP SUPPORT	01/10/1997-
092	37Q1320	GASKET	01/10/1997-
093	32Z4741	PRESSURE-SWITCH 30/70	18/11/1999-
094	35Z0050	TRAP PLATE	01/10/1997-
101	32Z8510	FILTER	01/10/1997-
110	35C8220	PROP. DÉVICE SUPPORT	01/10/1997-
111	3150321	HEAT.ELEM.PROTECTION	01/10/1997-
112	3150520	"O" RING	01/10/1997-
113	33Q4440	DETERGENTCOUPL.	18/11/1999-
114	35E0040	MOTOR PUMP SUPPORT	01/10/1997-
115	3150430	"O" RING Ø 56.52	01/10/1997-
116	36G8540	WASH BLADES 495X58X16	01/10/1997-
117	36G8550	RINSE HUB	01/10/1997-
118	36C3870	"PLUG FOR ARM + RING	01/10/1997-
119	33T2940	""OR"" NOZZLE	01/10/1997-
120	35X4090	RH RINSE ARM	01/10/1997-

<b>Pos</b>	<b>Code</b>	<b>Description</b>	<b>Info</b>
121	35X4100	LH RINSE ARM	01/10/1997-
122	3152210	"O" RING	01/10/1997-
123	36G1340	SPRING	18/11/1999-
124	33M0300	SPACER	18/11/1999-
125	3150520	"O" RING	01/01/2001-