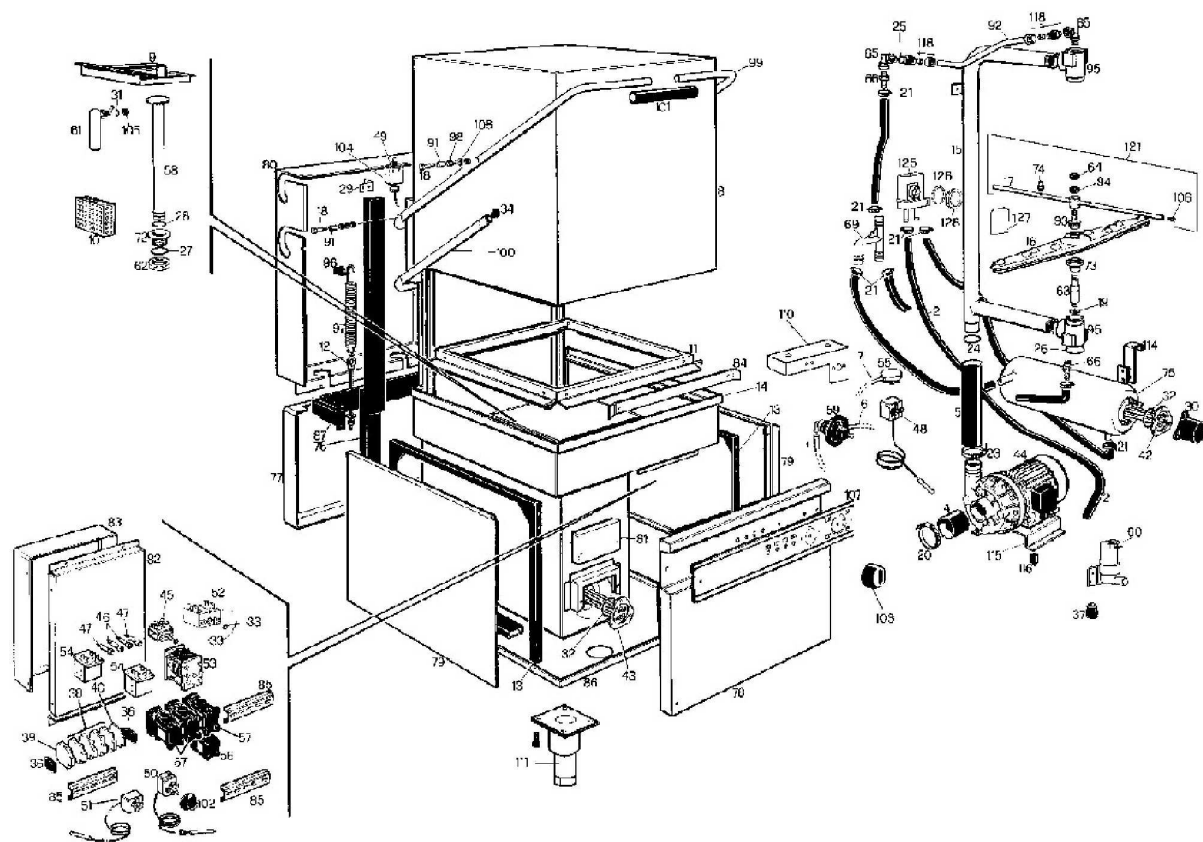




L80

Edition 20070523-



Pos	Code	Description	Info
001	111AA09	PROTECTION PIPE	01/04/1997-
002	131AA14	RUBBER HOSE Ø20x13	01/04/1997-
004	33M0600	PIPE	01/04/1997-
005	111AA08	RUBBER HOSE Ø60 Ø50	01/04/1997-
006	111AA15	PIPE Ø13-Ø8	01/04/1997-
007	131AA08	HOSE	01/04/1997-
008	30M3280	HOOD ASS.Y	01/04/1997-
009	30G0140	FILTER	01/04/1997-
010	30G0150	FILTER	01/04/1997-
011	30M0150	BASKET FRAME ASS.Y	01/04/1997-
012	30T0490	SPRING TIE-ROD	01/04/1997-
013	30T0730	SIDE FRAME ASS.Y	01/04/1997-
014	30W0800	TANK ASS.Y	01/04/1997-
015	30Z0110	WASHING PIPE ASS.Y	01/04/1997-
016	30Z7330	RINSING ARM	01/04/1997-
017	3031670	RINSE ARM + INJECTOR	01/04/2004-
018	3100100	PIN CH.17 M6	01/04/1997-
019	3120030	WASHER	01/04/1997-
020	3140200	PIPE CLAMP 60-80	01/04/1997-
021	3140130	PIPE CLAMP	01/04/1997-
023	3140160	CLAMP Ø55 Ø70	01/04/1997-
024	3150110	"O" RING	01/04/1997-
025	3150060	GASKET	01/04/1997-
026	3150140	"O" RING	01/04/1997-
027	3150240	"OR"GASKET	01/04/1997-
028	3150260	"O" RING	01/04/1997-
029	35S2140	SUPPORT	01/04/1997-
030	3150321	HEAT.ELEM.PROTECTION	01/04/1997-
031	3150410	"O" RING Ø 18.72	01/04/1997-
032	3150430	"O" RING Ø 56.52	01/04/1997-
033	3150790	THERMOSTAT PROTECT.	01/04/1997-
034	3170010	PLUG	01/04/1997-
036	32D1220	TERMINAL CLAMPING BOARD	01/04/1997-
037	32D0220	CABLE CLAMP Ø 16	01/04/1997-
038	32D0950	LIVE TERMINAL	01/04/1997-
039	32D0970	GROUND TERMINAL	01/04/1997-
040	32D0960	TERMINAL END COVER	01/04/1997-
042	32G0400	HEATING EL.	01/04/1997-
043	32G0380	HEATING ELEMENT	01/04/1997-
044	32M0020	MOTOR PUMP 380V/220V-50Hz- 1.472KW.	01/04/1997-
044	32M1590	MOTOR PUMP 415V/240V-50Hz- 1.472KW	01/04/1997-
044	32M2160	MOTOR PUMP 380V/220V-60Hz-	01/04/1997-
045	32W0490	1.472KW SWITCH	01/04/1997-
046	3106730	ORANGE LIGHT 230V	23/05/2007-
047	3106710	GREEN LIGHT 230V	23/05/2007-
048	32Z2011	SAFETY THERMOSTAT	01/04/1997-
049	32W3251	PROTECTED MICROSWITCH	01/04/1997-
050	32Z0160	THERMOSTAT 30-90°C	01/04/1997-
051	32Z2430	THERMOSTAT	01/04/1997-
052	32W0980	SWITCH	01/04/1997-
053	32Z8110	PROGRAMMER	01/04/1997-

Pos	Code	Description	Info
054	32Z2000	RELAY	01/04/1997-
055	32Z0860	PRESSURE-SWITCH	01/04/1997-
056	32Z9540	RELAY	01/04/1997-
057	32Z9570	RELAY	01/04/1997-
058	33D0050	OVERFLOW ASS.Y 431 MM	01/04/1997-
059	33D0061	DISPENSER	01/04/1997-
060	33D1371	INLET WATER SOLENOID VALVE	01/04/1997-
061	33D0360	PRESSURE SWITCH	01/04/1997-
062	33Q0240	NUT 1 1/2"	01/04/1997-
063	33Q0420	RINSE JOINT PIPE	01/04/1997-
064	33Q0510	RING NUT	01/04/1997-
065	33Q0570	ELBOW MF 1/2	01/04/1997-
066	33Q5100	PIPE FITTING	01/04/1997-
067	33Q0600	ELBOW	01/04/1997-
069	33M0580	RINSE COUPLING	01/04/1997-
072	33Q3050	OVER FLOW DRAIN.	01/04/1997-
073	33Q3380	RINSE ARM. MUB	01/04/1997-
074	33T1121	NOZZLE	01/04/1997-
075	34A0560	BOILER 9 LTRS	01/04/1997-
076	35A1020	UPRIGHT SECTION	01/04/1997-
077	35A1231	REAR PANEL	01/04/1997-
078	35A1451	FRONT PANEL	01/04/1997-
079	35A1470	SIDE PANEL	01/04/1997-
080	35A1531	TOP REAR PANEL	01/04/1997-
081	35G0170	ELEMENT COVER	01/04/1997-
082	35Q2250	ELECTRIC BOX	01/04/1997-
083	35Q0530	EL. BOX PROTECTION	01/04/1997-
084	35T0180	BASKET GUIDE	01/04/1997-
085	32D0630	"OMEGA" BRACKET	01/04/1997-
086	35S9501	BASE	01/04/1997-
087	35T2720	REAR CROSS MEMBER	01/04/1997-
091	35Z0770	PIPE	01/04/1997-
092	35Z9970	UPPER RINSE ARM PIPE	01/04/1997-
093	36D0720	RINSE HUB	01/04/1997-
094	36D0740	BUSHING	01/04/1997-
095	36D4050	WASHING SUPPORT	01/04/1997-
096	36G0210	SPRING HOLDER	01/04/1997-
097	36G0220	SPRING	01/04/1997-
098	36G0230	BUSHING	01/04/1997-
099	36M0200	HANDLE	01/04/1997-
100	36M0450	SPRING ATTACHMENT	01/04/1997-
101	36M0530	HANDLE	01/04/1997-
102	36M0700	HANDLE	01/04/1997-
103	36M1511	HANDLE	01/04/1997-
104	32D0610	GROMMET	01/04/1997-
105	3117580	LOCK NUT	01/04/1997-
106	36Q0180	PLUG	01/04/1997-
107	37M7450	CONTROL PANEL	01/04/1997-
108	37Q0530	GASKET	01/04/1997-
110	35S2100	SUPPORT	01/04/1997-
111	36C2741	FOOT ASS.Y	01/04/1997-

Pos	Code	Description	Info
114	35T3040	"C" BRACKET	01/04/1997-
115	35T2850	MOTOR PUMP SUPPORT	01/04/1997-
116	36D1130	SHOCK ABSORBER	01/04/1997-
117	33Q0650	1/2 M SHAPED UNION	01/04/1997-
118	33Q0740	"FITTING F 1/2""	01/04/1997-
121	6001920	RINSING ARM ASS.Y	01/04/1997-
124	32Q3900	L 80 EL.CABLE SET	01/04/1997-
125	33D0650	NON-RETURN VALVE	01/04/1997-
126	37Q1320	GASKET	01/04/1997-
127	33Q0650	1/2 M SHAPED UNION	01/04/1997-
128	32D1140	LOCK NUT	01/04/1997-