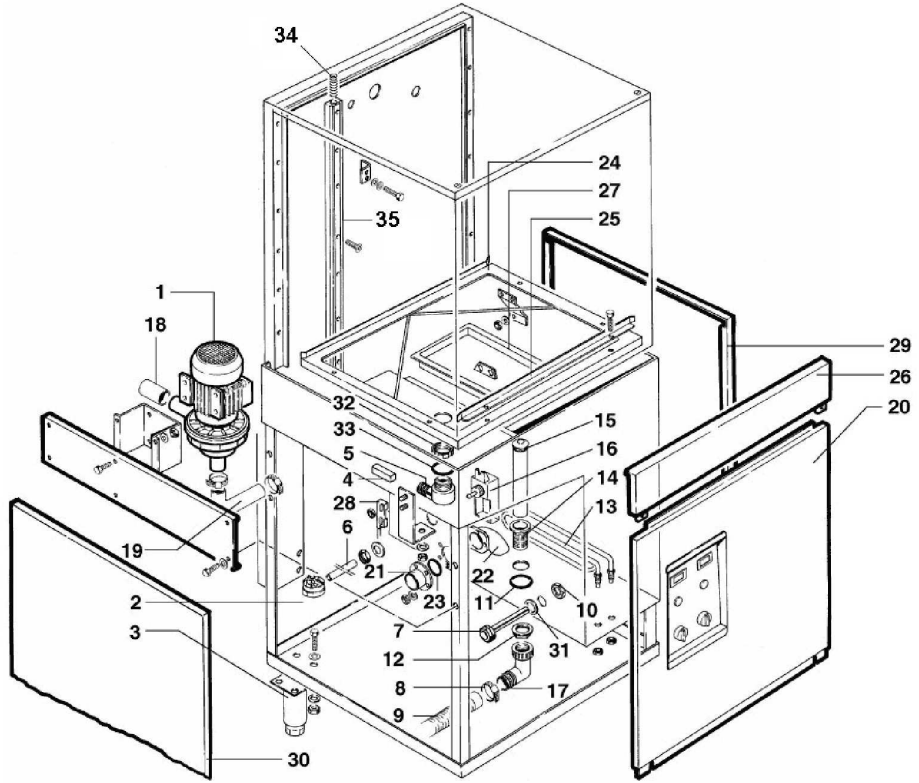
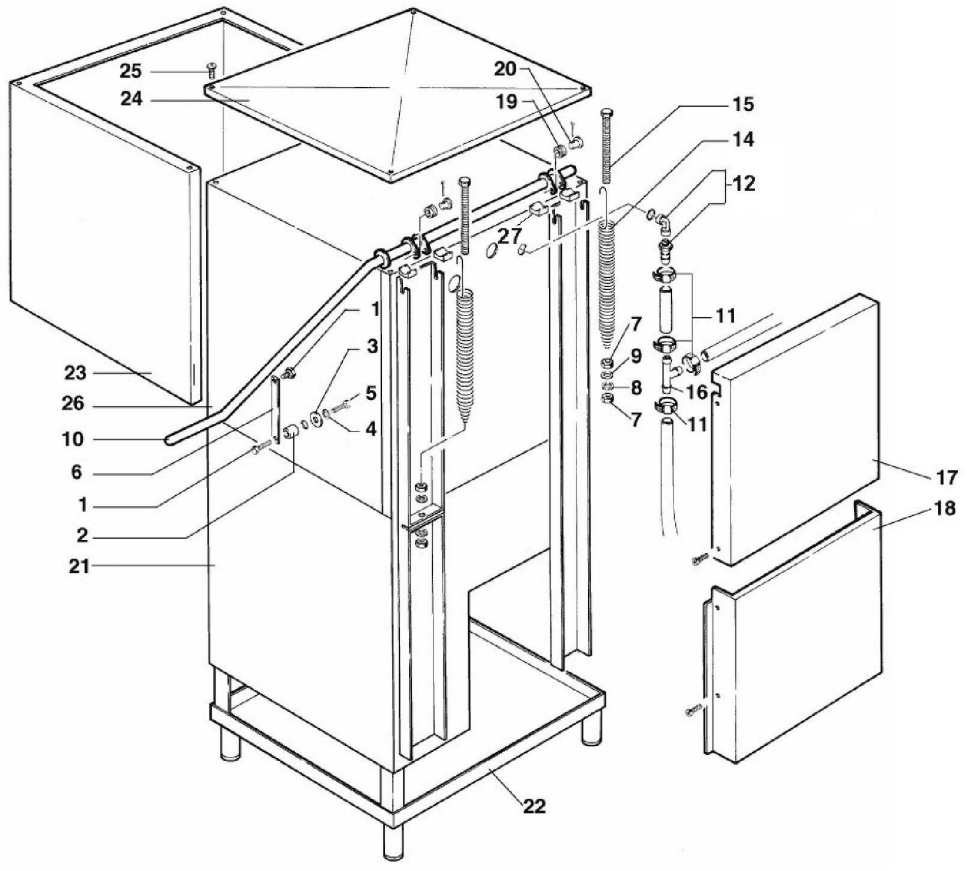


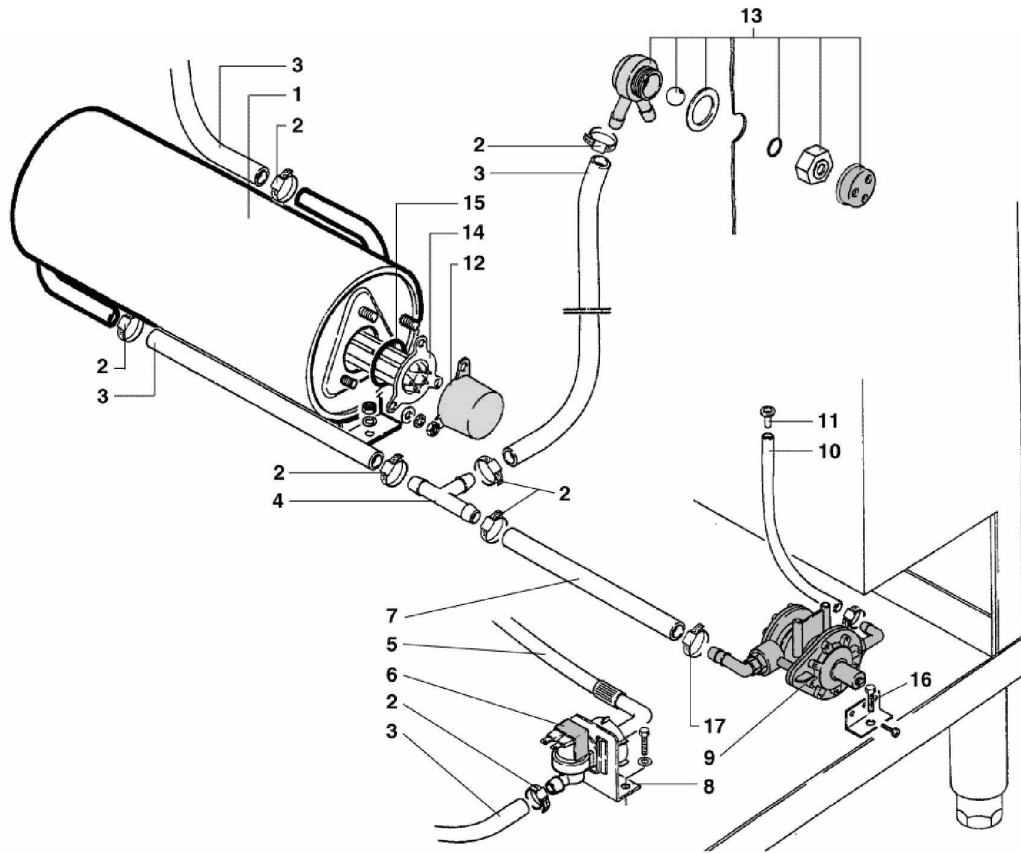


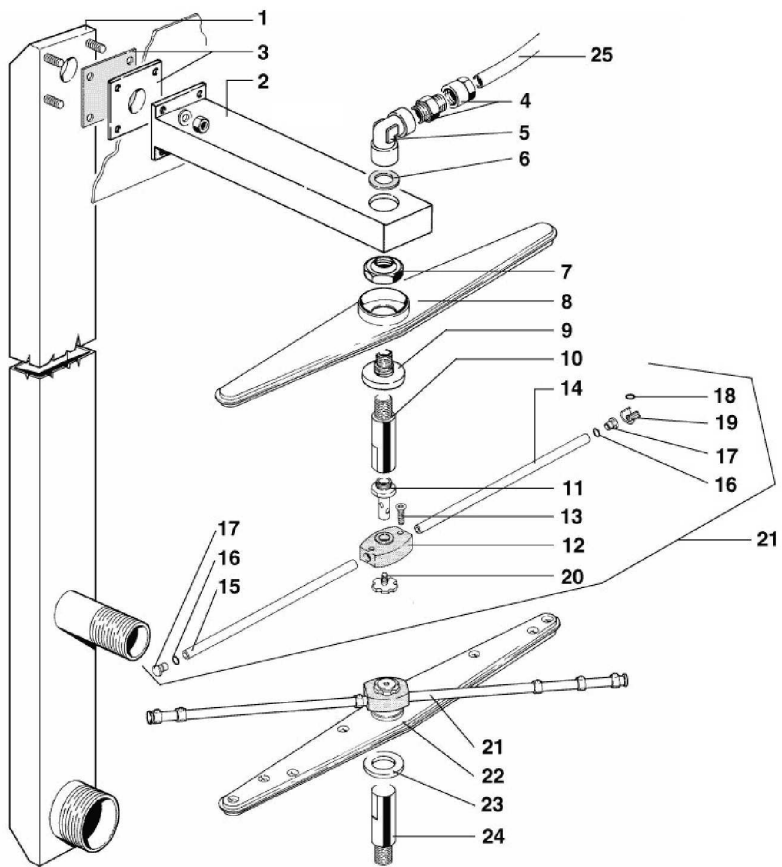
LC130

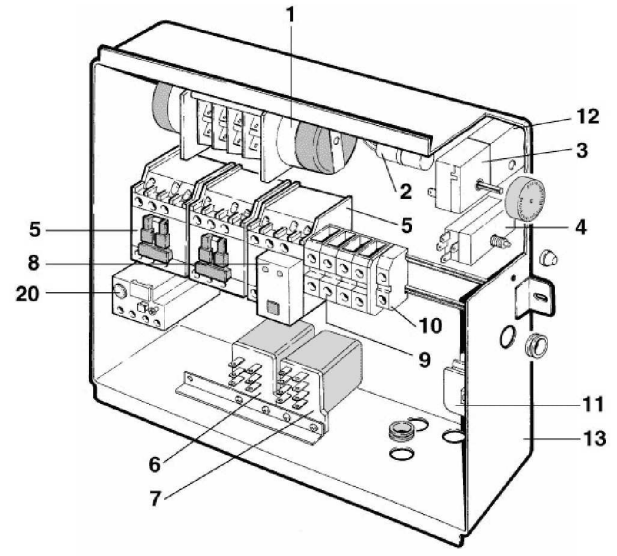
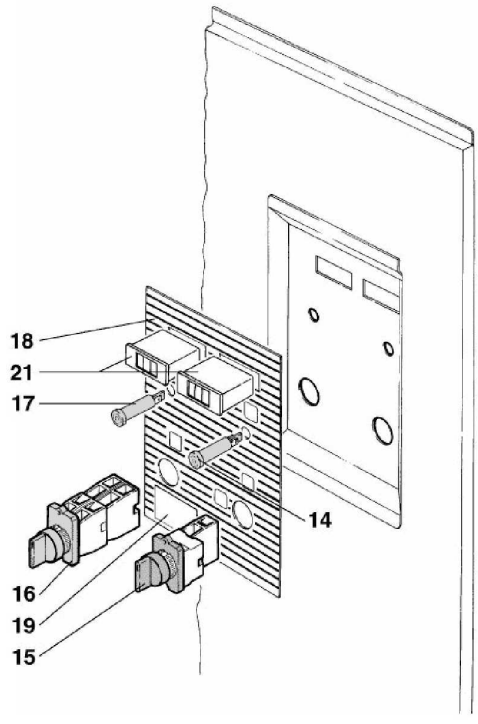
Edition 20150917-











Page	Pos	Code	Description	Info
002	001	3104600	PUMP	01/11/1999-
002	001	3107480	PUMP	14/02/2007-
002	002	32V1870	PRESSURE-SWITCH 35/90	01/11/1999-
002	003	36Q0940	STAINLESS STEEL FOOT	01/11/1999-
002	004	32W0870	MAGNET	01/11/1999-
002	005	36G9130	LOWER HUB	01/11/1999-
002	006	111AA09	PROTECTION PIPE	01/11/1999-
002	007	30Q1420	SEATING BULB	01/11/1999-
002	008	LC130-Pos.008	CLAMP	01/11/1999-
002	009	3033430	PIPE FOR OUTLET Ø19 L=2000 FOR	01/11/1999-
002	009	3029590	PIPE FOR OUTLET 90° Ø32	01/02/2004-
002	010	33Q3690	RING NUT	01/11/1999-
002	011	3151930	O-RING	01/11/1999-
002	012	33Q2160	RING NUT	01/11/1999-
002	013	32G2590	HEATING ELEMENT 3KW	01/11/1999-
002	014	33Q4740	"DRAIN CONNECTION 1""1/4"	01/11/1999-
002	015	33D1550	OVERFLOW	01/11/1999-
002	016	33D1390	AIR TRAP	01/11/1999-
002	017	3029590	PIPE FOR OUTLET 90° Ø32	01/02/2004-
002	018	33M1330	OUTLET ELBOW L=170 Ø150 ØE60	01/11/1999-
002	019	33M1320	INTAKE PIPE FITTING	01/11/1999-
002	020	3023820	CONTROL PANEL	01/11/1999-
002	021	33Q4210	ONTAKE PIPE FITTING	01/11/1999-
002	022	33Q4290	ONTAKE PIPE FITTING	01/11/1999-
002	023	3152390	O RING	01/11/1999-
002	024	3012540	FRAME	01/11/1999-
002	025	35U2170	GUIDE	01/11/1999-
002	026	3023830	FRONT PANEL	01/11/1999-
002	027	30Q1460	FILTER INOX	01/09/2000-
002	028	32W2160	MICROSWITCH	01/11/1999-
002	029	3012550	RH SIDE PANEL	01/11/1999-
002	030	3013060	LH SIDE PANEL	01/11/1999-
002	031	37Q2840	GASKET	01/11/1999-
002	032	33Q4300	LOCK NUT	01/11/1999-
002	033	37Q4210	GASKET	01/11/1999-
002	034	36G9090	SPRING	01/11/1999-
002	035	30T4000	SLIDING RAIL	01/11/1999-
003	001	36G9030	JOINT PIN	01/11/1999-
003	002	36G9040	BEARING	01/11/1999-
003	003	3027630	WASHER	01/11/1999-
003	004	3123670	WASHER	01/11/1999-
003	005	LC130-Pos.005	SCREW	01/11/1999-
003	006	3005750	PLATE	01/11/1999-
003	007	3117620	STEEL NUT M10X8	01/11/1999-
003	008	LC130-Pos.008	WASHER	01/11/1999-
003	009	LC130-Pos.009	WASHER	01/11/1999-
003	010	36M6190	HANDLE	01/11/1999-
003	011	3140230	12/20 PIPE CLAMP	01/11/1999-
003	012	3233560		17/09/2015-
003	014	36G8870	SPRING	01/11/1999-
003	015	30T4190	CONNECTING ROD	01/11/1999-

Page	Pos	Code	Description	Info
003	016	36G9050	PIPE FITTING	01/11/1999-
003	017	3FL0245	UPPER BACK PANEL	01/11/1999-
003	018	3FL0246	LOWER BACK PANEL	01/11/1999-
003	019	36H0450	SMALL WHELL	01/11/1999-
003	020	36C3560	PIN	01/11/1999-
003	021	LC130-Pos.021	TANK	01/11/1999-
003	022	LC130-Pos.022	BASE	01/11/1999-
003	023	LC130-Pos.023	HOOD COVER	01/11/1999-
003	024	LC130-Pos.024	UPPER SIDE PANEL	01/11/1999-
003	025	LC130-Pos.025	SCREW	01/11/1999-
003	026	3002530	HOOD ASS.Y FROM	01/11/1999-
003	027	3060400	NR. 23 TO NR. 26 METAL BUSHING	01/11/1999-
004	001	34A1980	BOILER	01/11/1999-
004	002	3140230	12/20 PIPE CLAMP	01/11/1999-
004	003	131AA14	RUBBER HOSE Ø20x13	01/11/1999-
004	004	33Q3070	"PIPE FITTING ""T"""	01/11/1999-
004	005	36U0720	INLET PIPE	01/11/1999-
004	006	33D2310	SOLENOID VALVE	01/11/1999-
004	007	33M1310	RUBBER PIPE	01/11/1999-
004	008	35D1560	INSULATION PANEL COVER	01/11/1999-
004	009	33D2300	LANG DISPENSER	01/11/1999-
004	010	111AA09	PROTECTION PIPE	01/11/1999-
004	011	30Q1430	FILTER	01/11/1999-
004	012	3150321	HEAT.ELEM.PROTECTION	01/11/1999-
004	013	33D2100	SAFETY VALVE	01/09/2007-
004	014	32G2720	HEATING ELEMENT 9KW	01/11/1999-
004	015	3150430	"O" RING Ø 56.52	01/11/1999-
004	016	LC130-Pos.016	DOSING DEVICE SUPPORT	01/11/1999-
004	017	LC130-Pos.017	CLAMP	01/11/1999-
005	001	3028660	STEEL WASHING PIPE	01/11/1999-
005	001	3028880	PLASTIC WASHING PIPE	01/11/1999-
005	002	3027890	WASHING ARM	01/11/1999-
005	003	3151900	GASKET	01/11/1999-
005	004	33Q4280	PIPE FITTING	01/11/1999-
005	005	33Q4360	CONNECT	01/11/1999-
005	006	37Q4200	GASKET	01/11/1999-
005	007	36G8720	LOCK NUT	01/11/1999-
005	008	36G9100	WASHING ARM	01/11/1999-
005	009	36G9110	HUB	01/11/1999-
005	010	36G9120	UPPER WASHING PIN	01/11/1999-
005	011	36G9060	RINSE PIN	01/11/1999-
005	012	36G8550	RINSE HUB	01/11/1999-
005	013	31C0070	SCREW	01/11/1999-
005	014	35X4860	RIGHT RINSE ARM	01/11/1999-
005	015	35X4870	LEFT RINSE ARM	01/11/1999-
005	016	3152180	O RING	01/11/1999-
005	017	36C3870	"PLUG FOR ARM + RING ""OR"""	01/11/1999-
005	018	3152400	OO	01/11/1999-
005	019	33T2940	NOZZLE	01/11/1999-
005	020	33Q3710	RING NUT	01/11/1999-
005	021	30Z1491	COMPL. RINSE ARM	01/11/1999-

Page	Pos	Code	Description	Info
005	022	33Q4040	IMPELLER	01/11/1999-
005	023	3120380	WASHER	01/11/1999-
005	024	36G9140	LOWER WASHING PIN	01/11/1999-
005	025	33M1440	PIPE Ø10X8 FORAFLOX	01/11/1999-
006	001	32V1940	"TIMER 60""-120""- 180"""	01/11/1999-
006	002	32V5640	FILTER	01/11/1999-
006	003	32V1910	THERMOSTAT 0-90	01/11/1999-
006	004	32Z8830	SAFETY THERMOSTAT	01/11/1999-
006	005	32V0560	CONTACTOR	01/11/1999-
006	006	32V0540	RELAY 230V	01/11/1999-
006	007	32V2950	RELAY 400V 16A	01/11/1999-
006	008	3008410	AUXILIARY CONTACT	01/11/1999-
006	009	32V4940	TERMINAL 10 mm	01/11/1999-
006	010	LC130-Pos.010	GROUND TERMINAL	01/11/1999-
006	011	LC130-Pos.011	TERMINAL	01/11/1999-
006	012	32V1920	THERMOSTAT 55°C	01/11/1999-
006	013	LC130-Pos.013	CABINET	01/11/1999-
006	014	32W2140	LAMP	01/11/1999-
006	015	32Z8670	SWITCH	01/11/1999-
006	016	32W2150	SWITCH	01/11/1999-
006	017	32W2130	LAMP	01/11/1999-
006	018	37N4400	PLATE	01/11/1999-
006	019	37N4410	PLATE	01/11/1999-
006	020	32Z8730	OVERLOAD RELAY 2,5- 4A	01/11/1999-
006	021	32V1900	THERMOMETER	01/11/1999-