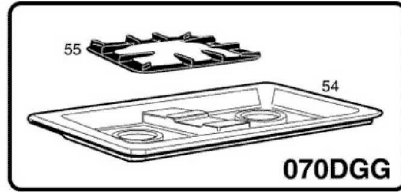
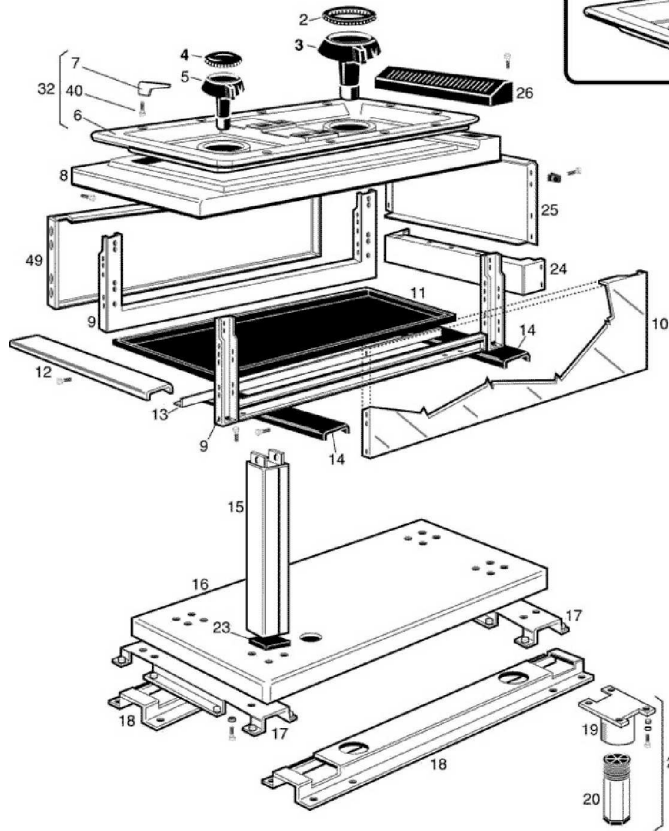


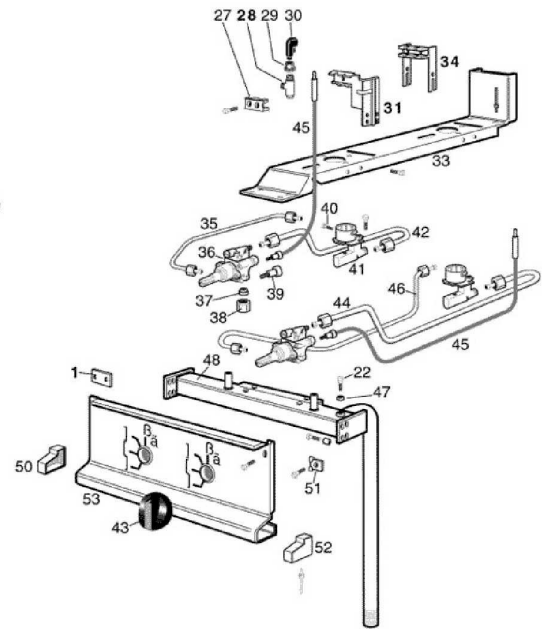


**070D**

**Edition 20010613-**



**070DGG**



Pos	Code	Description	Info
001	35T9650	FLAT BRACKET	01/11/1995-
002	34A1141	BURNER CAP Ø 140	01/11/1995-
003	34A1401	BURNER Ø 140	01/11/1995-
004	34A1123	BURNER CAP Ø 90	01/11/1995-
005	34A1380	BURNER Ø 90	01/11/1995-
006	35W2420	DRIP TRAY Ø 90-140	01/11/1995-
007	36G2530	PAN REST	01/11/1995-
008	30M0900	TOP ASS.Y	01/11/1995-
009	30T1780	SIDE FRAME ASS. Y	01/11/1995-
010	35A8210	RH PANEL	01/11/1995-
011	35W2440	DRIP TRAY	01/11/1995-
012	35U7110	HANDLE SECTION	01/11/1995-
013	35U3480	"L" BRACKET	01/11/1995-
014	35U3560	FRAME FRONT CROSS SECT.	01/11/1995-
015	30A1691	RISER	01/11/1995-
016	35M3120	UNDER SHELF	01/11/1995-
017	35V2770	LOWER CROSS MEMBER	01/11/1995-
018	35U7371	"OMEGA" BRACKET	01/11/1995-
019	36D9360	FOOT HOUSING ASS. Y	01/11/1995-
020	36D9350	STAINLESS STEEL FOOT	01/11/1995-
021	36D9340	STAINLESS STEEL FOOT ASS.Y	01/11/1995-
022	31A7380	SCREW TE M5X10	01/11/1995-
023	36D3911	UPRIGHT OUTSOLE	01/11/1995-
024	35U3550	REAR CROSS MEMBER	01/11/1995-
025	35A8340	REAR PANEL	01/11/1995-
026	35Q5680	FLUE GUARD	01/11/1995-
027	33A0950	REAR BRACKET	01/11/1995-
028	33A2900	PILOT BURNER BODY	01/11/1995-
029	33A0970	RING NUT	01/11/1995-
030	33A1070	ONE-FLAME BURNER	01/11/1995-
031	35V9130	PILOT BURNER SUPPORT	01/11/1995-
032	6000540	TRAY Ø 90-140 ASS. Y	01/11/1995-
033	35M2880	BURNER CROSS MEMBER	01/11/1995-
034	35V9140	PILOT BURNER SUPPORT	01/11/1995-
035	35Z4980	PILOT LIGHT PIPE	01/11/1995-
036	33A1040	GAS CONTROL	01/11/1995-
037	36Q0030	BICONE Ø12X8	01/11/1995-
038	36Q0050	BICONE NUT Ø 12	01/11/1995-
039	32Z1460	VALVE MAGNET	01/11/1995-
040	31B8800	SCREW	01/11/1995-
041	36D2771	BURNER SUPPORT	01/11/1995-
042	35Z4960	PIPE	01/11/1995-
043	36M2390	GAS CONTROL KNOB	01/11/1995-
044	35Z4970	PIPE	01/11/1995-
045	33A0680	THERMOCOUPLE M8X1X600	13/06/2001-
046	35Z4990	PIPE	01/11/1995-
047	3128460	WASHER	01/11/1995-
048	30Z1300	GAS MANIFOLD ASS. Y	01/11/1995-
049	35A8220	LH PANEL	01/11/1995-
050	36D3430	LH END SIDE	01/11/1995-
051	35U6700	SUPPORT	01/11/1995-

<b>Pos</b>	<b>Code</b>	<b>Description</b>	<b>Info</b>
052	36D3420	RH END SIDE	01/11/1995-
053	35A8350	UPPER CONTROL BOARD	01/11/1995-