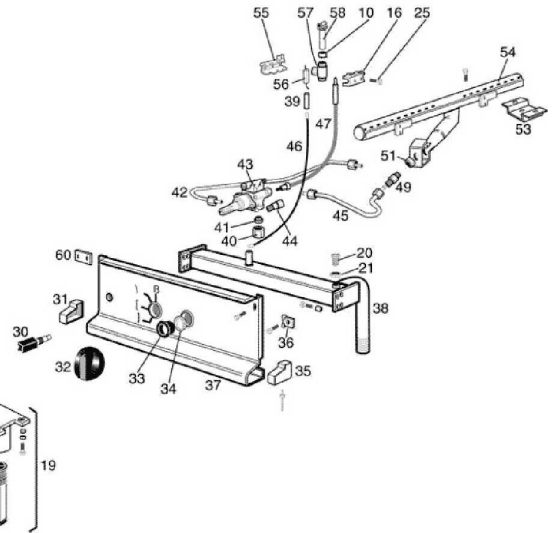
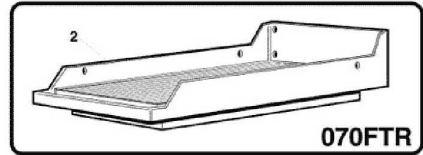
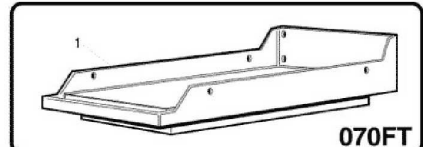
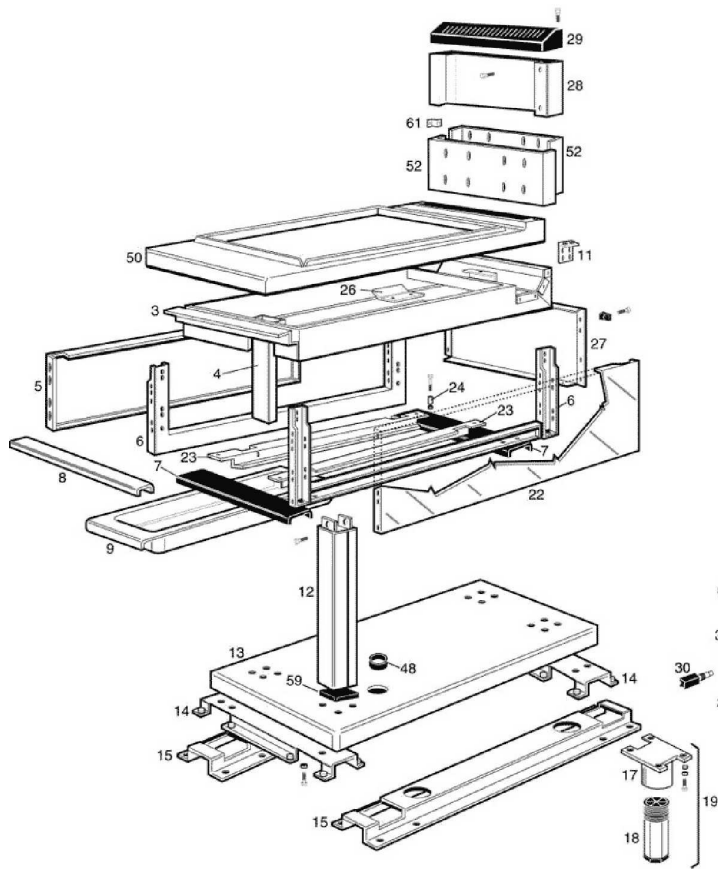




**070FT**

**Edition 20100127-**



Pos	Code	Description	Info
001	36A2231	SMOOTH PLATE ASS. Y	01/09/1996-
003	30D1363	EXHAUST FLUE CHAMBER ASS.Y	01/09/1996-
004	30Q0920	DRAIN ASS. Y	01/09/1996-
005	35A8220	LH PANEL	01/09/1996-
006	30T1780	SIDE FRAME ASS. Y	01/09/1996-
007	35U3560	FRAME FRONT CROSS SECT.	01/09/1996-
008	35U7110	HANDLE SECTION	01/09/1996-
009	35W2810	DRIP TRAY	01/09/1996-
010	33A0970	RING NUT	01/09/1996-
011	35U7140	"L" BRACKET	01/09/1996-
012	30A1691	RISER	01/09/1996-
013	35M3120	UNDER SHELF	01/09/1996-
014	35V2770	LOWER CROSS MEMBER	01/09/1996-
015	35U7371	"OMEGA" BRACKET	01/09/1996-
016	33A0950	REAR BRACKET	01/09/1996-
017	36D9360	FOOT HOUSING ASS. Y	01/09/1996-
018	36D9350	STAINLESS STEEL FOOT	01/09/1996-
019	36D9340	STAINLESS STEEL FOOT ASS.Y	01/09/1996-
020	31A7380	SCREW TE M5X10	01/09/1996-
021	3128460	WASHER	01/09/1996-
022	35A8210	RH PANEL	01/09/1996-
023	35U6370	"Z" BRACKET	01/09/1996-
024	35Z1330	SPACER	01/09/1996-
025	33A0980	SCREW 3/16W. X18TE	01/09/1996-
026	35Q6401	SLOT COVER	01/09/1996-
027	35A8340	REAR PANEL	01/09/1996-
028	35D3930	REAR EXTERNAL FLUE	01/09/1996-
029	35Q5680	FLUE GUARD	01/09/1996-
030	32T0130	PIEZO IGNITION	01/09/1996-
031	36D3430	LH END SIDE	01/09/1996-
032	36M2390	GAS CONTROL KNOB	01/09/1996-
033	36D3730	RING Ø35	01/09/1996-
034	3127820	STOP RING Ø 30	01/09/1996-
035	36D3420	RH END SIDE	01/09/1996-
036	35U6700	SUPPORT	01/09/1996-
037	35A9930	UPPER CONTROL BOARD	01/09/1996-
038	30Z7870	GAS MANIFOLD	01/09/1996-
039	131AA46	HOSE 8'X40	01/09/1996-
040	36Q0050	BICONE NUT Ø 12	01/09/1996-
041	36Q0030	BICONE Ø12X8	01/09/1996-
042	35Z6530	PILOT LIGHT PIPE	01/09/1996-
043	33A1040	GAS CONTROL	01/09/1996-
044	32Z1460	VALVE MAGNET	01/09/1996-
045	35Z5840	BURNER PIPE	01/09/1996-
046	32A0210	CABLE "HF" 700MM	01/09/1996-
047	33A0680	THERMOCOUPLE M8X1X600	13/06/2001-
048	32X0130	GROMMET Ø29-Ø37	01/09/1996-
049	3035340	NOZZLE HOUSING	24/07/2006-
050	30M0900	TOP ASS.Y	01/09/1996-
051	36Q1110	LOCK NUT 3/8"	01/09/1996-
052	35D8590	INNER FLUE	01/09/1996-

<b>Pos</b>	<b>Code</b>	<b>Description</b>	<b>Info</b>
053	35U6400	BURNER SUPPORT	01/09/1996-
054	34A1461	PLATE BURNER	01/09/1996-
055	33A1000	FRONT BRACKET	01/09/1996-
056	32T0010	IGNITION PLUG	27/01/2010-
057	33A2900	PILOT BURNER BODY	01/09/1996-
058	33A1081	THREE-FLAME BURNER	24/04/2008-
059	36D3911	UPRIGHT OUTSOLE	01/09/1996-
060	35T9650	FLAT BRACKET	01/09/1996-
061	35V9840	"Z" BRACKET	01/09/1996-