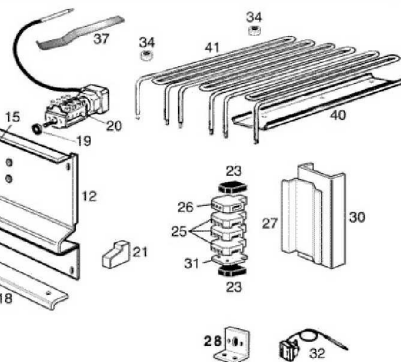
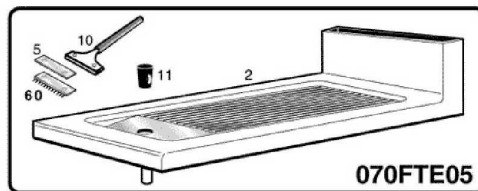
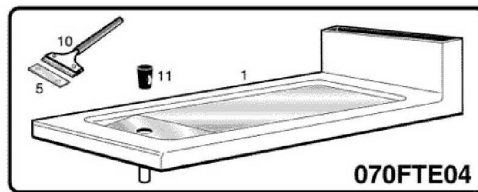
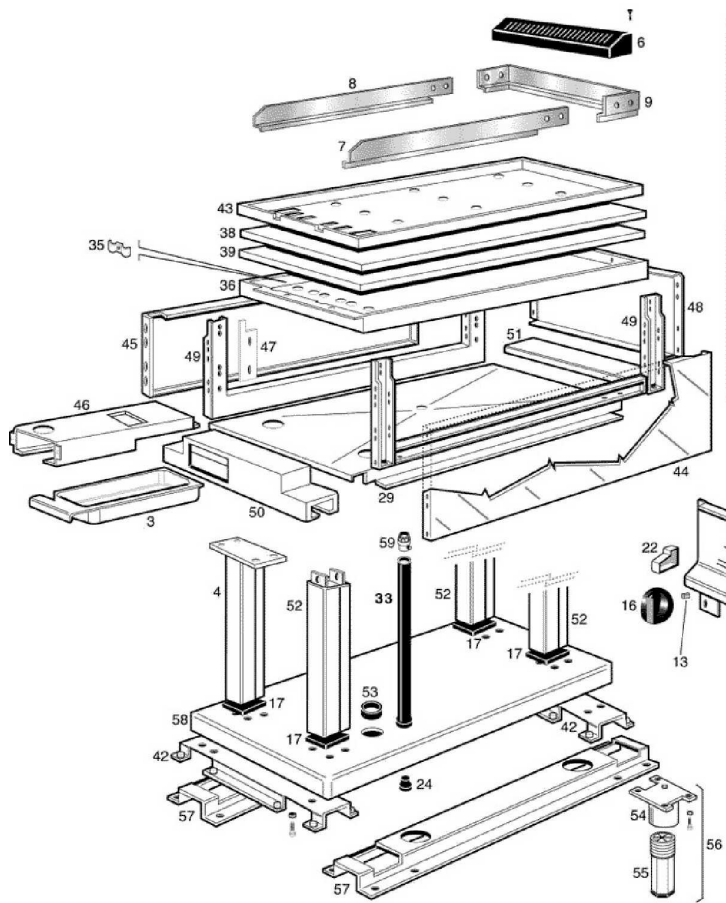




070FTE04

Edition 20080131-



Pos	Code	Description	Info
001	30M1990	SMOOTH PLATE ASS. Y	01/09/1996-
003	35W0330	TRAY	01/09/1996-
004	30A3300	RISER	01/09/1996-
005	36X0010	BLADE	01/09/1996-
006	35Q5680	FLUE GUARD	01/09/1996-
007	30A2980	SPLASH GUARD	01/09/1996-
008	30A2990	SPLASH GUARD	01/09/1996-
009	35C2550	SPLASH GUARD	01/09/1996-
010	36X0020	SCRAPER	01/09/1996-
011	3115040	PLUG	31/01/2008-
012	35C2730	UPPER CONTROL	01/09/1996-
013	3170290	BOARD KNOB SPRING	01/09/1996-
014	6300651	ORANGE LIGHT 400V ASS.Y	23/05/2007-
015	6300652	GREEN LIGHT 400V ASS.Y	23/05/2007-
016	36M2400	ELECTRIC CONTROL KNOB	01/09/1996-
017	36D3911	UPRIGHT OUTSOLE	01/09/1996-
018	35V7580	BRACKET	01/09/1996-
019	3150790	THERMOSTAT PROTECT.	01/09/1996-
020	32Z7400	THERMOSTAT 100- 260° C	01/09/1996-
021	36D3420	RH END SIDE	01/09/1996-
022	36D3430	LH END SIDE	01/09/1996-
023	32D0870	TERMINAL CLAMP	01/09/1996-
024	32D0820	BUSHING	01/09/1996-
025	32D0840	LIVE TERMINAL	01/09/1996-
026	32D0860	GROUND TERMINAL	01/09/1996-
027	32D0540	"OMEGA" BRACKET	01/09/1996-
028	35S6361	L" SHAPED BAR	01/09/1996-
029	35Q8580	LOWER GUARD	01/09/1996-
030	35V8090	TERM. BOARD SUPPORT	01/09/1996-
031	32D0850	TERMINAL	01/09/1996-
032	32Z9202	SAFETY THERMOSTAT	10/11/2004-
033	35X3720	CABLE INLET PIPE	01/09/1996-
034	36C1320	SPACER	01/09/1996-
035	35T3540	BULB HOLDER	01/09/1996-
036	35D1560	INSULATION PANEL COVER	01/09/1996-
037	35V8630	SPRING	01/09/1996-
038	37Q1060	INSULATING PANEL	01/09/1996-
039	37Q1050	INSULATING PANEL	01/09/1996-
040	35V1630	"U" BRACKET	01/09/1996-
041	32G1870	HEATING ELEMENT	01/09/1996-
042	35V2770	LOWER CROSS MEMBER	01/09/1996-
043	35V1640	HEATING EL. SUPPORT	01/09/1996-
044	35A8210	RH PANEL	01/09/1996-
045	35A8220	LH PANEL	01/09/1996-
046	35V8010	TRAY GUIDE	01/09/1996-
047	35Q4630	CONT. BOARD PROTECT.	01/09/1996-
048	35A8340	REAR PANEL	01/09/1996-
049	30T1780	SIDE FRAME ASS. Y	01/09/1996-
050	35V8020	FRONT CROSS MEMBER	01/09/1996-
051	35U3560	FRAME FRONT CROSS SECT.	01/09/1996-
052	30A1691	RISER	01/09/1996-

Pos	Code	Description	Info
053	32X0130	GROMMET Ø29-Ø37	01/09/1996-
054	36D9360	FOOT HOUSING ASS. Y	01/09/1996-
055	36D9350	STAINLESS STEEL FOOT	01/09/1996-
056	36D9340	STAINLESS STEEL	01/09/1996-
057	35U7371	FOOT ASS.Y "OMEGA" BRACKET	01/09/1996-
058	35M3120	UNDER SHELF	01/09/1996-
059	32D0810	JOINT 3/4"	01/09/1996-
061	32Q0690	CABLES ASS.Y	01/09/1996-