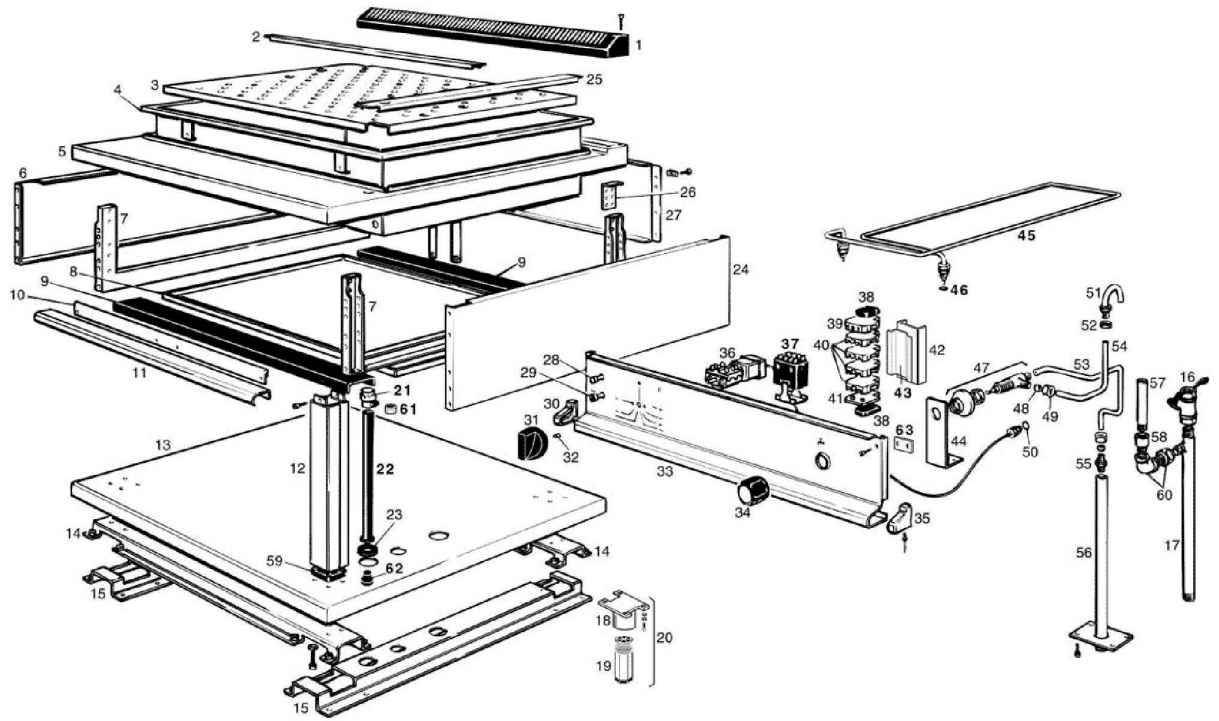




**071 BME**

**Edition 20110101-**



| Pos | Code    | Description                | Info        |
|-----|---------|----------------------------|-------------|
| 001 | 35A9090 | FLUE GUARD                 | 01/09/1996- |
| 002 | 35U7530 | "U" BRACKET                | 01/09/1996- |
| 003 | 35M4410 | FALSE BOTTOM               | 01/09/1996- |
| 004 | 30W2900 | WELL ASS. Y                | 01/09/1996- |
| 005 | 30M2650 | TOP ASS. Y                 | 01/09/1996- |
| 006 | 35A8220 | LH PANEL                   | 01/09/1996- |
| 007 | 30T1780 | SIDE FRAME ASS. Y          | 01/09/1996- |
| 008 | 35Q6510 | LOWER GUARD                | 01/09/1996- |
| 009 | 35U3520 | FRAME FRONT CROSS SECT.    | 01/09/1996- |
| 010 | 35U5880 | GUARD ASS.Y                | 01/09/1996- |
| 011 | 35U7120 | HANDLE SECTION             | 01/09/1996- |
| 012 | 30A1691 | RISER                      | 01/09/1996- |
| 013 | 35M3940 | UNDER SHELF                | 01/09/1996- |
| 014 | 35V2810 | LOWER CROSS MEMBER         | 01/09/1996- |
| 015 | 35U7371 | "OMEGA" BRACKET            | 01/09/1996- |
| 016 | 33D0170 | COCK FF 3/4"               | 01/09/1996- |
| 017 | 30Z1520 | DRAIN PIPE ASS. Y          | 01/09/1996- |
| 018 | 36D9360 | FOOT HOUSING ASS. Y        | 01/09/1996- |
| 019 | 36D9350 | STAINLESS STEEL FOOT       | 01/09/1996- |
| 020 | 36D9340 | STAINLESS STEEL FOOT ASS.Y | 01/09/1996- |
| 021 | 32D1250 | PIPE JOINT 3/4"            | 01/09/1996- |
| 022 | 35X3590 | CABLE INLET PIPE           | 01/09/1996- |
| 023 | 32X0130 | GROMMET Ø29-Ø37            | 01/09/1996- |
| 024 | 35A8210 | RH PANEL                   | 01/09/1996- |
| 025 | 35U7350 | ""U"" BRACKET"             | 01/09/1996- |
| 026 | 35U7140 | "L" BRACKET                | 01/09/1996- |
| 027 | 35A8230 | REAR PANEL                 | 01/09/1996- |
| 028 | 3106710 | GREEN LIGHT 230V           | 23/05/2007- |
| 029 | 3106730 | ORANGE LIGHT 230V          | 23/05/2007- |
| 030 | 36D3430 | LH END SIDE                | 01/09/1996- |
| 031 | 36M2400 | ELECTRIC CONTROL KNOB      | 01/09/1996- |
| 032 | 3170290 | KNOB SPRING                | 01/09/1996- |
| 033 | 30A2290 | UPPER CONTROL BOARD ASS.Y  | 01/09/1996- |
| 034 | 36M2642 | RED RING KNOB              | 01/01/2011- |
| 035 | 36D3420 | RH END SIDE                | 01/09/1996- |
| 036 | 32Z3290 | THERMOSTAT                 | 01/09/1996- |
| 037 | 32Z4471 | RELAIS 220V - 50HZ         | 01/09/1996- |
| 038 | 32D0060 | TERMINAL CLAMPING BOARD    | 01/09/1996- |
| 039 | 32D0480 | GROUND TERMINAL            | 01/09/1996- |
| 040 | 32D0470 | LIVE TERMINAL              | 01/09/1996- |
| 041 | 32D0490 | TERMINAL END COVER         | 01/09/1996- |
| 042 | 35U8370 | TERM. BLOCK SUPPORT        | 01/09/1996- |
| 043 | 32D0540 | "OMEGA" BRACKET            | 01/09/1996- |
| 044 | 35U6420 | "L" BRACKET                | 01/09/1996- |
| 045 | 32G0071 | HEATING ELEMENT            | 01/09/1996- |
| 046 | 3150390 | "O" RING Ø 15.08           | 01/09/1996- |
| 047 | 33D0590 | "COCK 3/8""                | 01/09/1996- |
| 048 | 36Q0080 | BICONE Ø 10X6.5            | 01/09/1996- |
| 049 | 36Q0140 | BICONE NUT Ø 10            | 01/09/1996- |
| 050 | 3150390 | "O" RING Ø 15.08           | 01/09/1996- |
| 051 | 33Q2730 | WATER SPOUT                | 01/09/1996- |

| Pos | Code    | Description         | Info        |
|-----|---------|---------------------|-------------|
| 052 | 36Q1110 | LOCK NUT 3/8"       | 01/09/1996- |
| 053 | 35Z6070 | PIPE                | 01/09/1996- |
| 054 | 35Z6060 | PIPE                | 01/09/1996- |
| 055 | 33Q2740 | NIPPLE M 3/8"       | 01/09/1996- |
| 056 | 30Z1510 | INLET WATER PIPE    | 01/09/1996- |
| 057 | 35Z6720 | DRAIN PIPE          | 01/09/1996- |
| 058 | 33Q2990 | SOCKET MF 3/8"-1/2" | 01/09/1996- |
| 059 | 36D3911 | UPRIGHT OUTSOLE     | 01/09/1996- |
| 060 | 33Q2980 | "UNION ELBOW 3/8""" | 01/09/1996- |
| 061 | 36Q1100 | LOCK NUT 3/4"       | 01/09/1996- |
| 062 | 32D1260 | BUSHING             | 01/09/1996- |
| 063 | 35T9650 | FLAT BRACKET        | 01/09/1996- |
| 064 | 32Q1740 | CABLE ASS.Y         | 01/09/1996- |