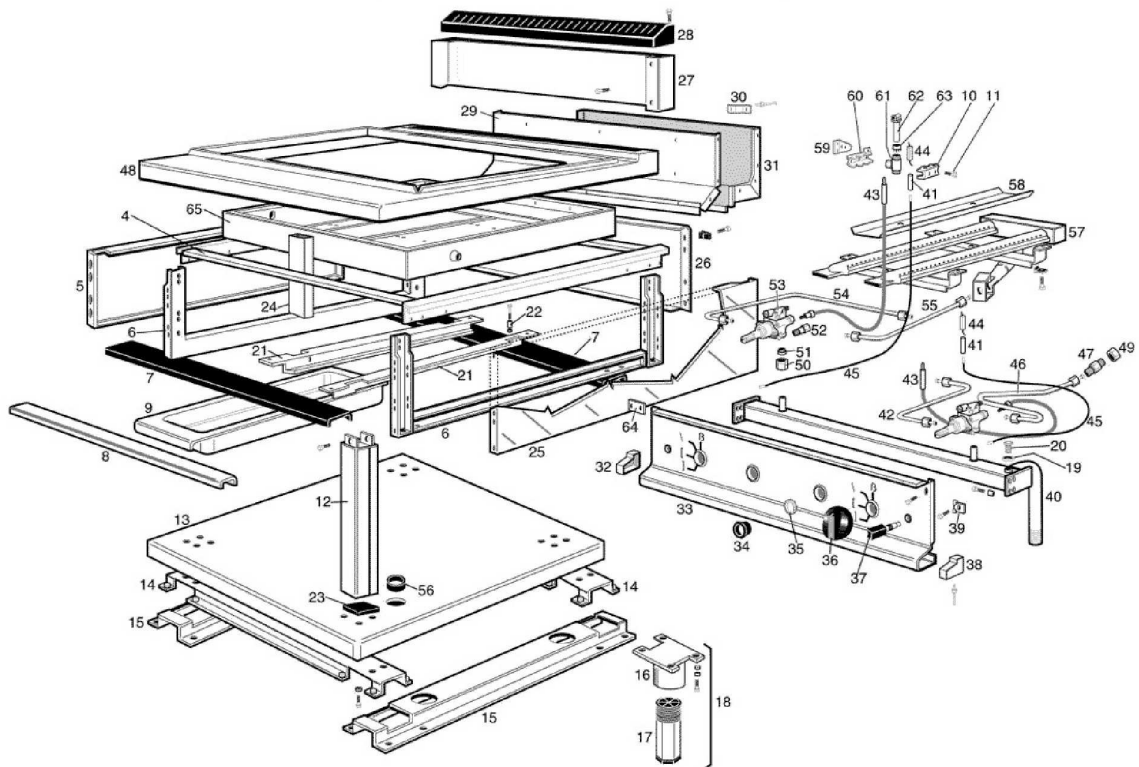
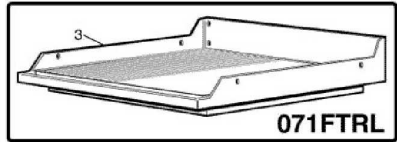
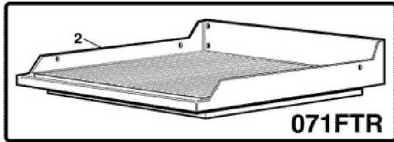
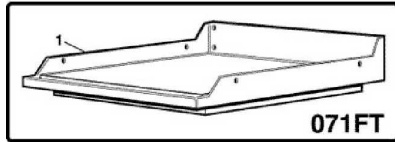




**071 FT**

**Edition 20100127-**



Pos	Code	Description	Info
001	36A2100	SMOOTH PLATE ASS. Y	01/09/1996-
004	30T2220	TOP FRAME ASS. Y	01/09/1996-
005	35A8220	LH PANEL	01/09/1996-
006	30T1780	SIDE FRAME ASS. Y	01/09/1996-
007	35U3520	FRAME FRONT CROSS SECT.	01/09/1996-
008	35U7120	HANDLE SECTION	01/09/1996-
009	35W2810	DRIP TRAY	01/09/1996-
010	33A0950	REAR BRACKET	01/09/1996-
011	33A0980	SCREW 3/16W. X18TE	01/09/1996-
012	30A1691	RISER	01/09/1996-
013	35M3100	UNDER SHELF	01/09/1996-
014	35V2810	LOWER CROSS	01/09/1996-
015	35U7371	MEMBER "OMEGA" BRACKET	01/09/1996-
016	36D9360	FOOT HOUSING ASS. Y	01/09/1996-
017	36D9350	STAINLESS STEEL FOOT	01/09/1996-
018	36D9340	STAINLESS STEEL FOOT ASS.Y	01/09/1996-
019	3128460	WASHER	01/09/1996-
020	31A7380	SCREW TE M5X10	01/09/1996-
021	35U6370	"Z" BRACKET	01/09/1996-
022	35Z1330	SPACER	01/09/1996-
023	36D3911	UPRIGHT OUTSOLE	01/09/1996-
024	30Q0920	DRAIN ASS. Y	01/09/1996-
025	35A8210	RH PANEL	01/09/1996-
026	35A8230	REAR PANEL	01/09/1996-
027	35D3940	REAR EXTERNAL FLUE	01/09/1996-
028	35A9090	FLUE GUARD	01/09/1996-
029	35D8600	HALF FLUE FRONT PLATE	01/09/1996-
030	35U7940	"Z" BRACKET	01/09/1996-
031	35D8610	HALF FLUE REAR	01/09/1996-
032	36D3430	PLATE LH END SIDE	01/09/1996-
033	35A9940	UPPER CONTROL BOARD	01/09/1996-
034	36D3730	RING Ø35	01/09/1996-
035	3127820	STOP RING Ø 30	01/09/1996-
036	36M2390	GAS CONTROL KNOB	01/09/1996-
037	32T0130	PIEZO IGNITION	01/09/1996-
038	36D3420	RH END SIDE	01/09/1996-
039	35U6700	SUPPORT	01/09/1996-
040	30Z7830	GAS MANIFOLD	01/09/1996-
041	131AA46	HOSE 8'X40	01/09/1996-
042	35Z5990	PIPE	01/09/1996-
043	33A0680	THERMOCOUPLE M8X1X600	13/06/2001-
044	32T0010	IGNITION PLUG	27/01/2010-
045	32A0210	CABLE "HF" 700MM	01/09/1996-
046	35Z5980	PIPE	01/09/1996-
047	3035340	NOZZLE HOUSING	24/07/2006-
048	30M1610	TOP ASS. Y	01/09/1996-
049	36Q1110	LOCK NUT 3/8"	01/09/1996-
050	36Q0050	BICONE NUT Ø 12	01/09/1996-
051	36Q0030	BICONE Ø12X8	01/09/1996-
052	32Z1460	VALVE MAGNET	01/09/1996-
053	33A1040	GAS CONTROL	01/09/1996-

<b>Pos</b>	<b>Code</b>	<b>Description</b>	<b>Info</b>
054	35Z6660	PIPE	01/09/1996-
055	35Z6650	LH BURNER GAS PIPE	01/09/1996-
056	32X0130	GROMMET Ø29-Ø37	01/09/1996-
057	34A0580	2-WAY BURNER	01/09/1996-
058	35Q6410	FLAME DEFLECTOR	01/09/1996-
059	35U7960	"L" BRACKET	01/09/1996-
060	33A1000	FRONT BRACKET	01/09/1996-
061	33A2900	PILOT BURNER BODY	01/09/1996-
062	33A1081	THREE-FLAME BURNER	24/04/2008-
063	33A0970	RING NUT	01/09/1996-
064	35T9650	FLAT BRACKET	01/09/1996-
065	35D3750	EXHAUST FLUE CHAMBER	01/09/1996-