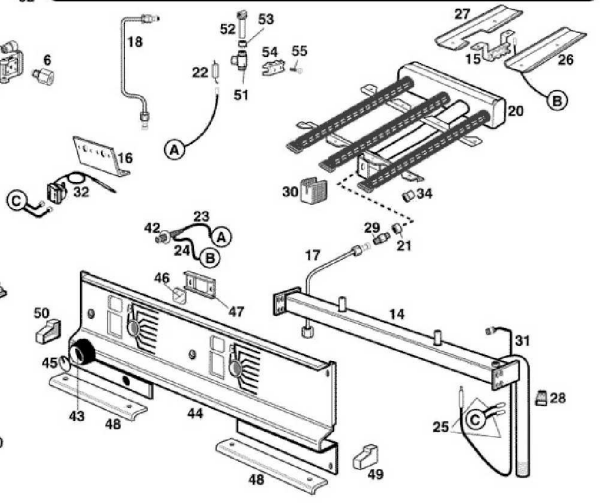
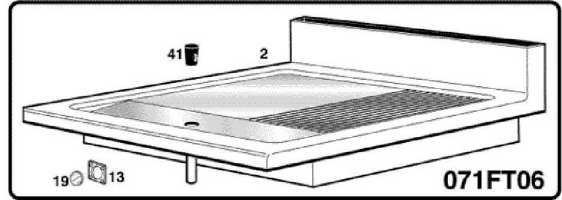
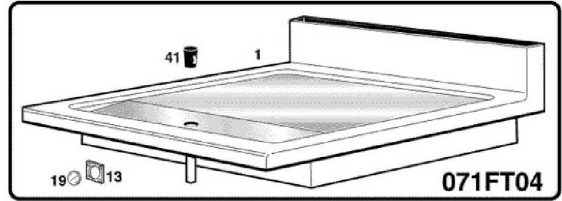
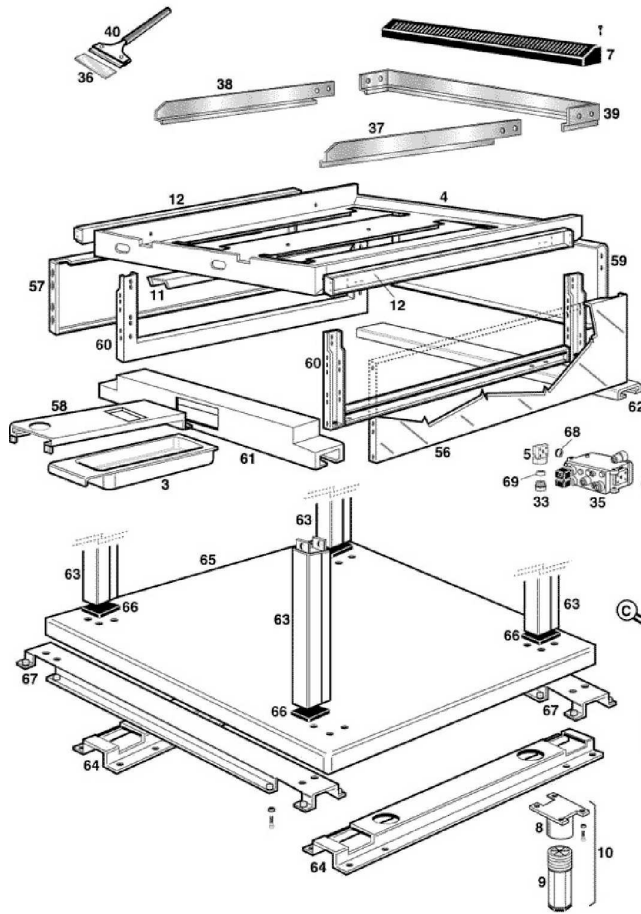




071FT06

Edition 20100713-



Pos	Code	Description	Info
002	30M1630	1/3 RIBBED PLATE 800X900X230	01/09/1994-
003	35W4150	TRAY	01/09/1994-
004	35D0580	COMBUSTION CHAMBER	01/09/1994-
005	33Q2650	"ELBOW MF 3/8""	01/09/1994-
006	33Q2560	SOCKET MF 3/8"	01/09/1994-
007	35A9090	FLUE GUARD	01/09/1994-
008	36D9360	FOOT HOUSING ASS. Y	01/09/1994-
009	36D9350	STAINLESS STEEL FOOT	01/09/1994-
010	36D9340	STAINLESS STEEL FOOT ASS.Y	01/09/1994-
011	35V7220	"U" BRACKET	01/09/1994-
012	35V7200	"U" BRACKET	01/09/1994-
013	35V7900	FLAT BRACKET	01/09/1994-
014	30Z8130	GAS MANIFOLD	01/09/1994-
015	35V2570	PILOT BURNER SUPPORT	01/09/1994-
016	35V7050	THERMOSTAT SUPPORT	01/09/1994-
017	35X1420	BURNER PIPE	01/09/1994-
018	35X1440	PILOT PIPE	01/09/1994-
019	6300645	GLASS + WASHER	04/08/2004-
020	34A1840	BURNER	01/09/1994-
021	36Q1110	LOCK NUT 3/8"	01/09/1994-
022	32T0010	IGNITION PLUG	27/01/2010-
023	32A0431	CABLE "HF" 600MM	07/10/2009-
024	32A0441	EARTH CABLE 600 MM	24/11/1997-
025	32A1690	CABLE 300MM	01/09/1994-
026	35D0600	BAFFLE	01/09/1994-
027	35D0610	DEFLECTOR	01/09/1994-
028	32D1450	TERMINAL	31/01/2003-
029	3035340	NOZZLE HOUSING	24/07/2006-
030	35V7170	NOZZLE GUARD	01/09/1994-
031	33A0140	INTERRUPTED THERMOC. M9X1X600	01/09/1994-
032	32Z1400	SAFETY THERMOSTAT	01/09/1994-
033	36Q0710	BICONE SCREW Ø 12	01/09/1994-
034	36C1150	BUSHING Ø 12	01/09/1994-
034	36C1160	BUSHING Ø 10	01/09/1994-
035	33A1031	GAS THERMOST. 110- 340° C	01/09/1994-
036	36X0010	BLADE	01/09/1994-
037	30A2980	SPLASH GUARD	01/09/1994-
038	30A2990	SPLASH GUARD	01/09/1994-
039	35C1670	SPLASH GUARD	01/09/1994-
040	36X0020	SCRAPER	01/09/1994-
041	3115040	PLUG	31/01/2008-
042	3166990	PIEZO IGNITION	13/07/2010-
043	36M2580	GAS THERMOSTAT KNOB	01/09/1994-
044	35B1100	UPPER CONTROL	01/09/1994-
045	36M2800	BOARD KNOB PLATE	01/09/1994-
046	37M0860	PLATE	01/09/1994-
047	35V7280	"U" BRACKET	01/09/1994-
048	35S9320	BRACKET	01/09/1994-
049	36D3420	RH END SIDE	01/09/1994-
050	36D3430	LH END SIDE	01/09/1994-
051	33A0960	PILOT BURNER BODY	01/09/1994-

Pos	Code	Description	Info
052	33A1081	THREE-FLAME BURNER	24/04/2008-
053	33A0970	RING NUT	01/09/1994-
054	33A0950	REAR BRACKET	01/09/1994-
055	33A0980	SCREW 3/16W. X18TE	01/09/1994-
056	35A8210	RH PANEL	01/09/1994-
057	35A8220	LH PANEL	01/09/1994-
058	35V1350	TRAY GUIDE	01/09/1994-
059	35A8230	REAR PANEL	01/09/1994-
060	30T1780	SIDE FRAME ASS. Y	01/09/1994-
061	3AT0890	FRONT CROSS MEMBER	01/09/1994-
062	35U3520	FRAME FRONT CROSS SECT.	01/09/1994-
063	30A1691	RISER	01/09/1994-
064	35U7371	"OMEGA" BRACKET	01/09/1994-
065	35M3100	UNDER SHELF	01/09/1994-
066	36D3911	UPRIGHT OUTSOLE	01/09/1994-
067	35V2810	LOWER CROSS MEMBER	01/09/1994-
068	3150770	"O" RING Ø 21	01/09/1994-
069	36Q0030	BICONE Ø12X8	01/09/1994-