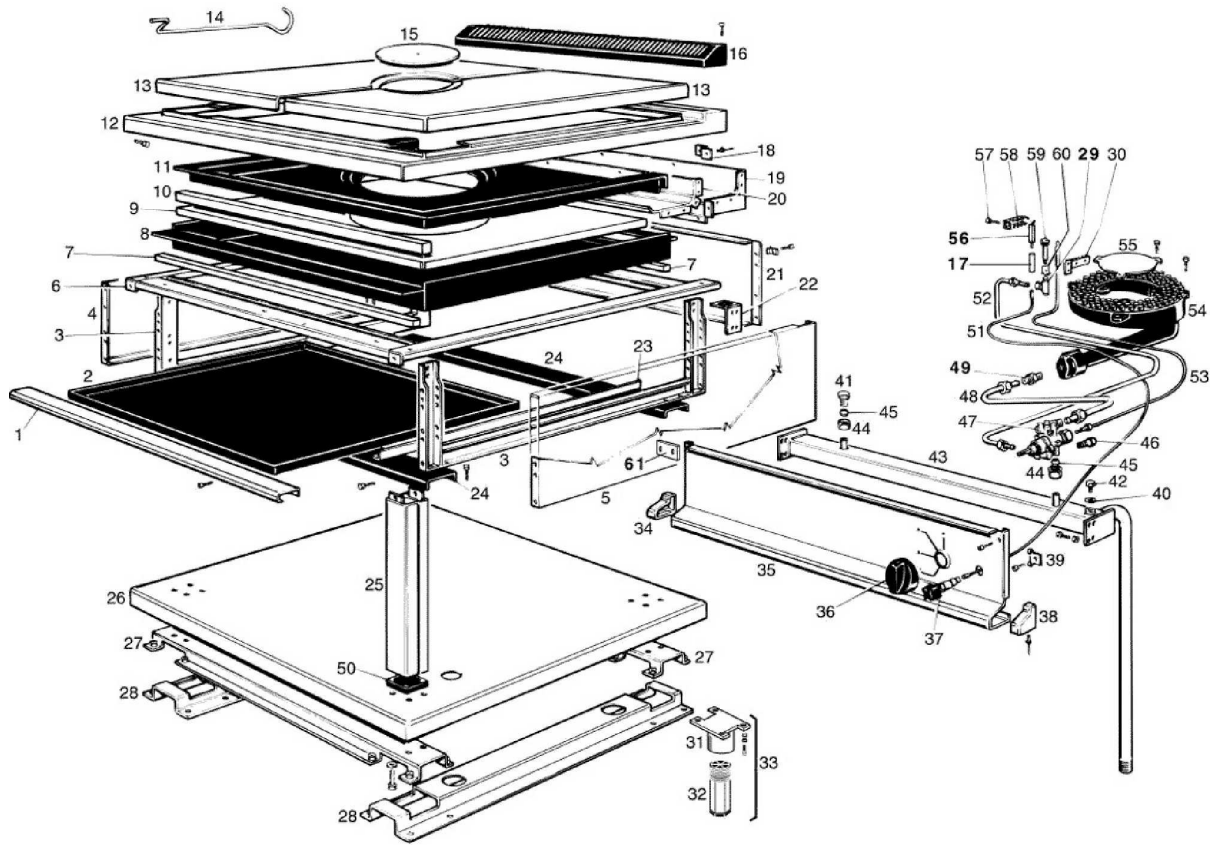




071TP

Edition 20100127-



Pos	Code	Description	Info
001	35U7120	HANDLE SECTION	01/11/1995-
002	35W2430	DRIP TRAY	01/11/1995-
003	30T1780	SIDE FRAME ASS. Y	01/11/1995-
004	35A8220	LH PANEL	01/11/1995-
005	35A8210	RH PANEL	01/11/1995-
006	30T2230	TOP FRAME ASS. Y	01/11/1995-
007	157AA21	GASKET 16X16 (U.M = gr)	13/02/1996-
008	35D3320	EXHAUST FLUE CHAMBER	01/11/1995-
009	37Q2020	INSULATING PANEL	01/11/1995-
010	37Q2060	INSULATING PANEL	01/11/1995-
011	35Q5220	INSULATION PANEL COVER	01/11/1995-
012	30M1610	TOP ASS. Y	01/11/1995-
013	36A1940	HALF HOT PLATE	01/11/1995-
014	35T2260	HOOK	01/11/1995-
015	36A0300	HOLE COVER Ø 212	01/11/1995-
016	35A9090	FLUE GUARD	01/11/1995-
017	131AA46	HOSE 8'X40	01/11/1995-
018	35U3180	""Z"" BRACKET"	01/11/1995-
019	35D3180	HALF FLUE REAR PLATE	01/11/1995-
020	35D3170	HALF FLUE FRONT	01/11/1995-
021	35A8230	PLATE REAR PANEL	01/11/1995-
022	35U7520	"L" BRACKET	01/11/1995-
023	35U3480	"L" BRACKET	01/11/1995-
024	35U3520	FRAME FRONT CROSS SECT.	01/11/1995-
025	30A1691	RISER	01/11/1995-
026	35M3100	UNDER SHELF	01/11/1995-
027	35V2810	LOWER CROSS	01/11/1995-
028	35U7371	MEMBER "OMEGA" BRACKET	01/11/1995-
029	33A2900	PILOT BURNER BODY	01/11/1995-
030	33A1000	FRONT BRACKET	01/11/1995-
031	36D9360	FOOT HOUSING ASS. Y	01/11/1995-
032	36D9350	STAINLESS STEEL FOOT	01/11/1995-
033	36D9340	STAINLESS STEEL FOOT ASS.Y	01/11/1995-
034	36D3430	LH END SIDE	01/11/1995-
035	35A8200	UPPER CONTROL BOARD	01/11/1995-
036	36M2390	GAS CONTROL KNOB	01/11/1995-
037	32T0130	PIEZO IGNITION	01/11/1995-
038	36D3420	RH END SIDE	01/11/1995-
039	35U6700	SUPPORT	01/11/1995-
040	3128460	WASHER	01/11/1995-
041	36Q0740	PLUG	01/11/1995-
042	31A7380	SCREW TE M5X10	01/11/1995-
043	30Z1410	GAS MANIFOLD ASS. Y	01/11/1995-
044	36Q0050	BICONE NUT Ø 12	01/11/1995-
045	36Q0030	BICONE Ø12X8	01/11/1995-
046	32Z1460	VALVE MAGNET	01/11/1995-
047	33A1040	GAS CONTROL	01/11/1995-
048	35Z5030	BURNER PIPE	01/11/1995-
049	33Q0901	NOZZLE HOUSING	01/11/1995-
050	36D3911	UPRIGHT OUTSOLE	01/11/1995-
051	32A0061	CABLE "HF" 1100MM	01/11/1995-

Pos	Code	Description	Info
052	35Z5040	PILOT LIGHT PIPE	01/11/1995-
053	33A0520	THERMOCOUPLE	01/11/1995-
054	34A0120	BURNER Ø 265 ASS. Y	01/11/1995-
055	35Q3320	COVERING Ø 120	01/11/1995-
056	32T0010	IGNITION PLUG	27/01/2010-
057	33A0980	SCREW 3/16W. X18TE	01/11/1995-
058	33A0950	REAR BRACKET	01/11/1995-
059	33A1081	THREE-FLAME BURNER	24/04/2008-
060	33A0970	RING NUT	01/11/1995-
061	35T9650	FLAT BRACKET	01/11/1995-