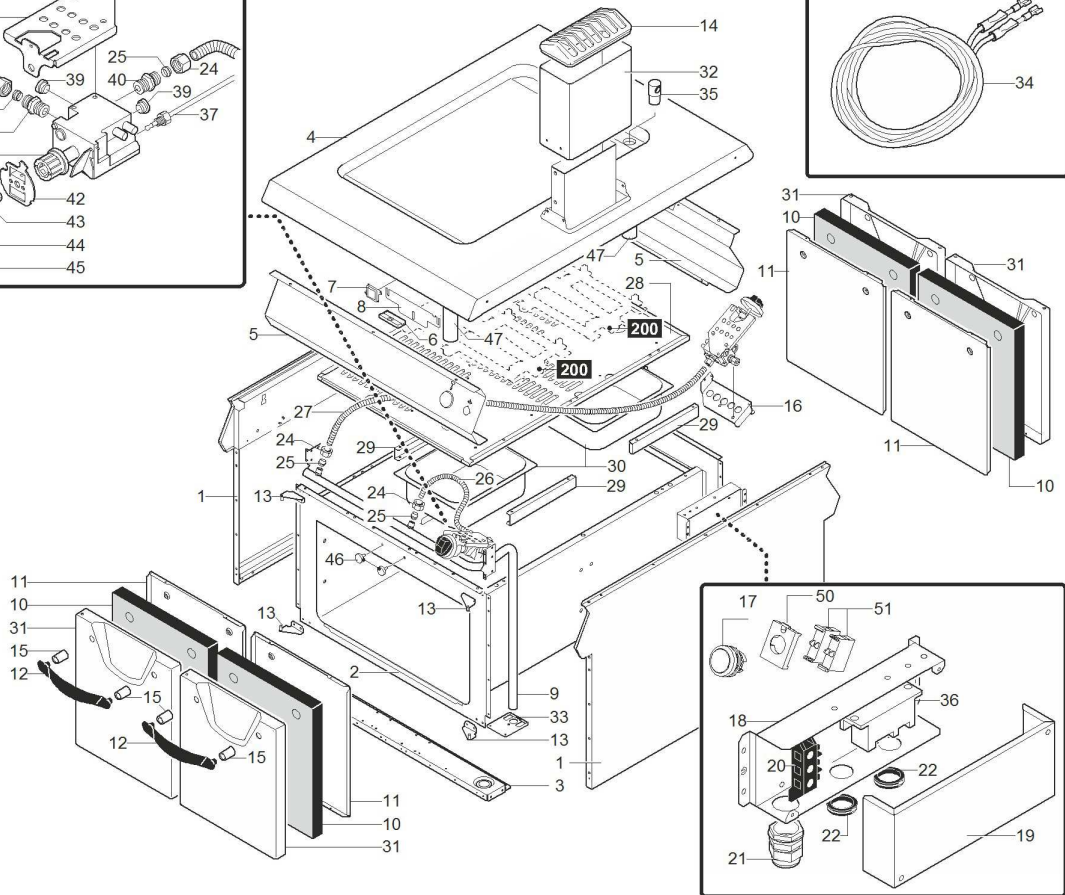
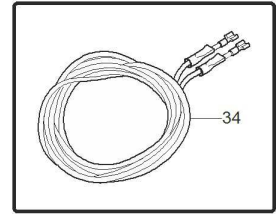
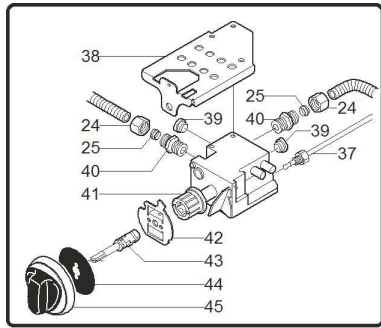
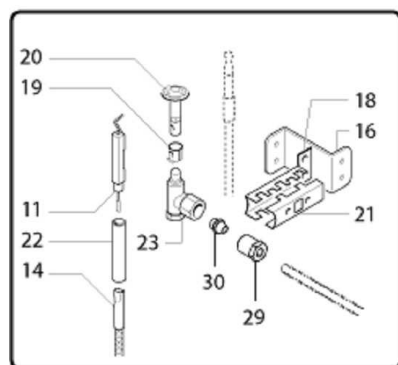
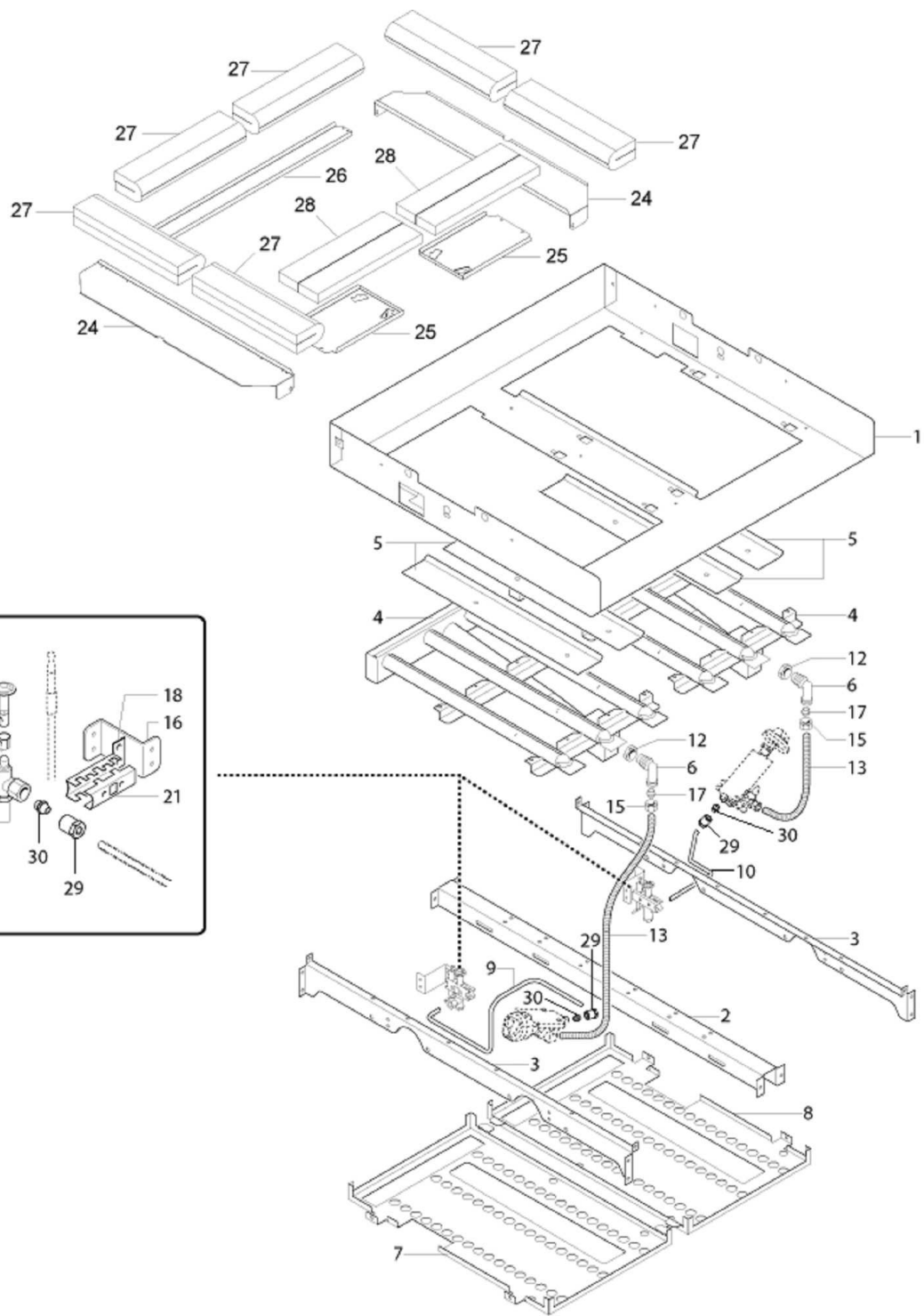




08WFT1GV

Edition 20141017-





Page	Pos	Code	Description	Info
002	001	3012210	PANEL RIGHT LEFT	14/06/2004-
002	002	3011941	UNDERCOMPARTMENT	28/01/2005-
002	003	35R0222	PROFILE OMEGA	14/06/2004-
002	004	3010261	SMOOTH PLATE ASS. Y	26/02/2009-
002	005	3010310	UPPER CONTROL BOARD	14/06/2004-
002	007	3070970	SPY-HOLE	01/02/2006-
002	009	3010360	GAS MANIFOLD ASS. Y	14/06/2004-
002	010	3011060	INSULANTING PANEL	14/06/2004-
002	011	3010510	COUNTER DOOR	14/06/2004-
002	012	3010573	HANDLE	04/10/2013-
002	013	6029110	HINGE ASSEMBLY	19/05/2010-
002	014	3018761	ENAMELLED FLUE GUARD	14/01/2013-
002	015	3011050	SPACER	14/06/2004-
002	016	3012470	THERMOSTAT BRACKET	14/06/2004-
002	017	3255190	RED SWITCH	17/10/2014-
002	018	3014960	SUPPORT	14/06/2004-
002	019	3014970	COVERING PLATE	14/06/2004-
002	020	32D0171	TERMINAL BOARD	14/06/2004-
002	021	32D1770	FAIRLEAD	14/06/2004-
002	022	32X0140	GROMMET Ø13,5-Ø25	14/06/2004-
002	024	36Q0830	BICONE NUT Ø 10	14/06/2004-
002	025	36Q0080	BICONE Ø 10X6.5	14/06/2004-
002	026	3014330	FLEXIBLE PIPE DN10 L=600	16/02/2006-
002	027	3029620	PIPE	14/06/2004-
002	028	3010370	CUP BOARD CEILING	14/06/2004-
002	029	35U8390	CONTAINER SLIDE	14/06/2004-
002	030	3010380	SPILLAGE TRAY	14/06/2004-
002	031	3177270	OVAL DOOR	19/05/2010-
002	032	3010430	COO. FLUE 800 MM ASS. Y	14/06/2004-
002	033	3031471	PLATE	14/06/2004-
002	034	3012670	CABLE GROUP	14/06/2004-
002	035	3115040	PLUG	31/01/2008-
002	036	32T0210	SPARK IGNITION DEVICE	14/06/2004-
002	037	33A1190	THERMOCOUPLE M9X1X750	14/06/2004-
002	039	36R0010	PLUG 3/8"	14/06/2004-
002	040	33Q4680	CONNECT. R3/8- M16X 1.5	14/06/2004-
002	041	3041720	GAS THERMOST. 110-	26/02/2009-
002	043	3051661	340° C PIN VALVE	09/07/2010-
002	044	3152250	GAS VALVE GUARD Ø	14/06/2004-
002	045	3010331	GAS CONTROL KNOB	15/03/2008-
002	046	3600090	MAGNET PLATE	14/06/2004-
002	047	3014510	PIPE	14/06/2004-
002	048	3031901	GASKET	01/02/2006-
002	049	3070980	SUPPORT GLASS	01/02/2006-
002	050	3255200	SUPPORT	17/10/2014-
002	051	3255210	CONTACT 1NA	17/10/2014-
002	200	M022020	M.BURNER	14/06/2004-
003	001	3010411	COMBUSTION CHAMBER	26/02/2009-
003	002	3015030	SECTION	14/06/2004-
003	003	3015040	SIDE SECTION	14/06/2004-
003	004	34A0110	BURNER	14/06/2004-

Page	Pos	Code	Description	Info
003	005	35D1320	BAFFLE	14/06/2004-
003	006	33Q3420	"CONNECT 3/8"" GAS"	14/06/2004-
003	007	3029300	COVER	14/06/2004-
003	008	3029310	COVER	14/06/2004-
003	009	3079320	FLEXIBLE PIPE L=750	09/03/2007-
003	010	3079320	FLEXIBLE PIPE L=750	09/03/2007-
003	011	32T0010	IGNITION PLUG	27/01/2010-
003	012	36Q0980	LOCK NUT M16X1.5	14/06/2004-
003	013	3014320	FLEXIBLE PIPE DN10 L=400	14/06/2004-
003	014	32A0390	CABLE "HF" 1200MM	14/06/2004-
003	015	36Q0830	BICONE NUT Ø 10	14/06/2004-
003	016	3010640	SUPPORT BURNER	14/06/2004-
003	017	36Q0080	BICONE Ø 10X6.5	14/06/2004-
003	018	33A1000	FRONT BRACKET	14/06/2004-
003	019	33A0970	RING NUT	14/06/2004-
003	020	33A1081	THREE-FLAME BURNER	24/04/2008-
003	021	33A0950	REAR BRACKET	14/06/2004-
003	022	131AA46	HOSE 8'X40	14/06/2004-
003	023	33A0690	PILOT BURNER BODY Ø0,40	14/06/2004-
003	023	33A0960	PILOT BURNER BODY Ø0,25	14/06/2004-
003	024	3070000	FRONT INSULATION RETAINER	10/07/2006-
003	025	3070010	INS. PANEL COVERING	10/07/2006-
003	026	3070020	FRONT INSULATION RETAINER	10/07/2006-
003	027	3069980	INSULANTING PANEL	10/07/2006-
003	028	3066860	INSULANTING PANEL	10/07/2006-
003	029	36Q1000	CLOSING BICONE NUT Ø4	09/03/2007-
003	030	36Q1040	BICONE Ø4	09/03/2007-