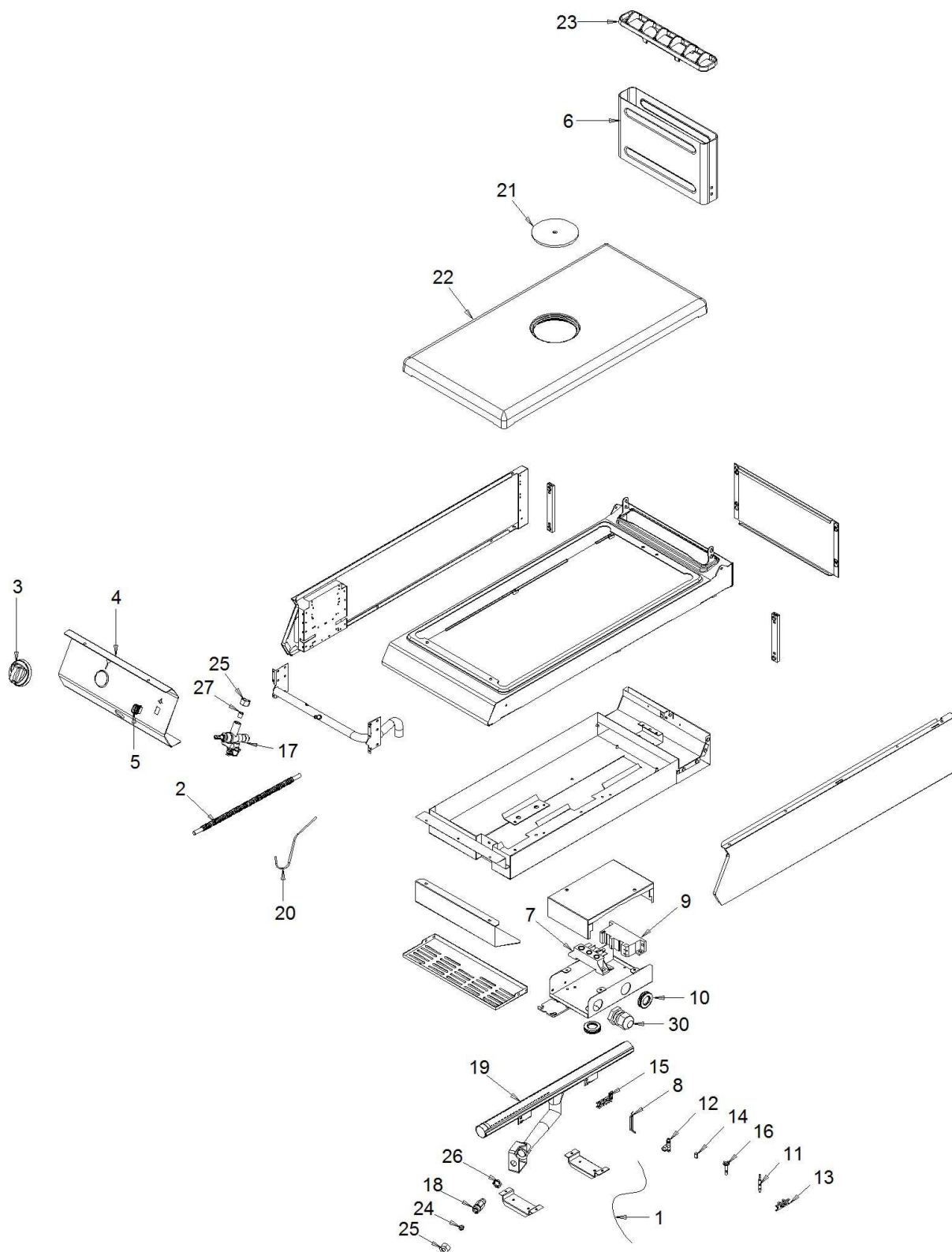




090FAVA

Edition 20131016-



Pos	Code	Description	Info
001	32A2361	CABLE "HF" 1200MM	16/10/2013-
002	3014320	FLEXIBLE PIPE DN10 L=400	01/03/2006-
003	3015731	GAS CONTROL KNOB	11/03/2008-
004	3060640	UPPER CONTROL BOARD	01/03/2006-
005	6300676	RED SWITCH ASSEMBLY	29/01/2008-
006	30Q1810	EXT FLUE ASS. Y	01/03/2006-
007	32D0171	TERMINAL BOARD	09/04/2013-
008	3232960	IGNITION PLUG	16/10/2013-
009	32T0210	SPARK IGNITION	01/03/2006-
010	32X0140	DEVICE GROMMET \varnothing 13,5- \varnothing 25	09/04/2013-
011	33A0680	THERMOCOUPLE M8X1X600	01/03/2006-
012	33A0690	PILOT BURNER BODY \varnothing 0,40	01/03/2006-
013	33A0950	REAR BRACKET	01/03/2006-
014	33A0970	RING NUT	01/03/2006-
015	33A1000	FRONT BRACKET	01/03/2006-
016	33A1081	THREE-FLAME BURNER	24/04/2008-
017	33D1991	GAS CONTROL	01/03/2006-
018	3035340	NOZZLE HOUSING	24/07/2006-
019	34A1461	PLATE BURNER	01/03/2006-
020	3079320	FLEXIBLE PIPE L=750	19/03/2007-
021	36A0350	PLATE HOLE COVER	01/03/2006-
022	36A2220	SMOOTH PLATE ASS. Y	01/03/2006-
023	36C2680	FLUE GUARD	01/03/2006-
024	36Q0080	BICONE \varnothing 10X6.5	01/03/2006-
025	36Q0610	BICONE SCREW \varnothing 10	01/03/2006-
026	36Q1110	LOCK NUT 3/8"	01/03/2006-
027	36Q1700	BICONE \varnothing 10 \varnothing 12X14	01/03/2006-
028	36Q1000	CLOSING BICONE NUT \varnothing 4	19/03/2007-
029	36Q1040	BICONE \varnothing 4	19/03/2007-
030	3059590	GROMMET	09/04/2013-