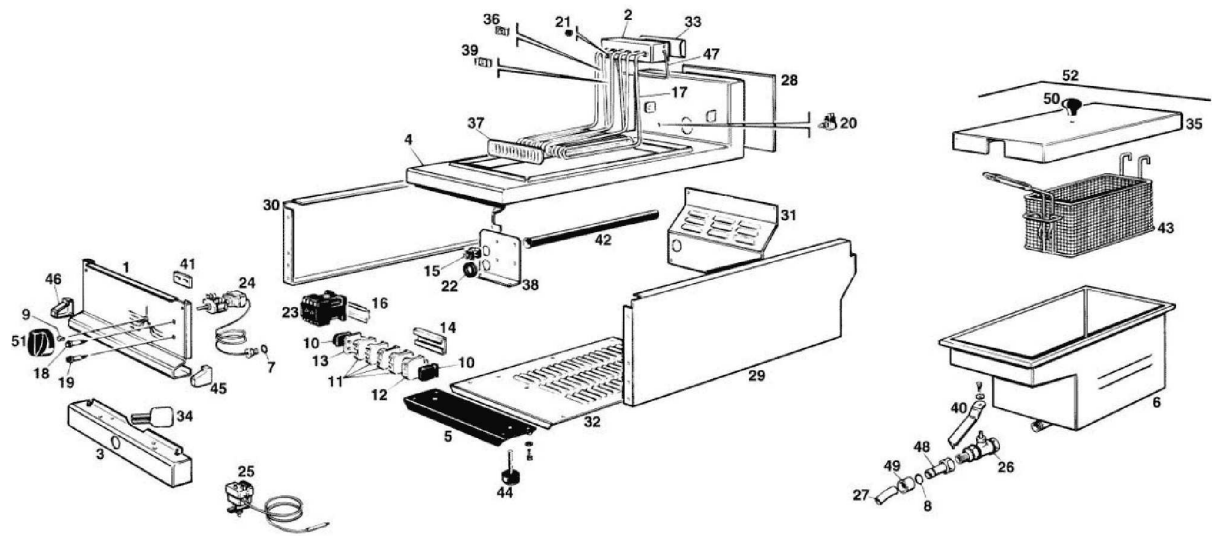




030FE

Edition 20080311-



| Pos | Code | Description | Info |
|-----|---------|-------------------------|-------------|
| 001 | 35B3520 | UPPER CONTROL BOARD | 01/09/1993- |
| 002 | 30A8980 | HEAT ELEMENT BRACKET | 01/09/1993- |
| 003 | 30A8990 | FRONT PANEL | 01/09/1993- |
| 004 | 30M1870 | TOP ASS. Y | 01/09/1993- |
| 005 | 30T2530 | FOOT HOUSING ASS. Y | 01/09/1993- |
| 006 | 30W2040 | WELL ASS. Y | 01/09/1993- |
| 007 | 3150390 | "O" RING Ø 15.08 | 01/09/1993- |
| 008 | 3150840 | "O" RING Ø 18.77 | 01/09/1993- |
| 009 | 3170290 | KNOB SPRING | 01/09/1993- |
| 010 | 32D0060 | TERMINAL CLAMPING BOARD | 01/09/1993- |
| 011 | 32D0470 | LIVE TERMINAL | 01/09/1993- |
| 012 | 32D0480 | GROUND TERMINAL | 01/09/1993- |
| 013 | 32D0490 | TERMINAL END COVER | 01/09/1993- |
| 014 | 32D0500 | "C" BRACKET | 01/09/1993- |
| 015 | 32D0510 | JOINT 3/4" | 01/09/1993- |
| 016 | 32D0540 | "OMEGA" BRACKET | 01/09/1993- |
| 017 | 32G1240 | HEATING EL. 2050/2450W | 01/09/1993- |
| 018 | 3106710 | GREEN LIGHT 230V | 23/05/2007- |
| 019 | 3106730 | ORANGE LIGHT 230V | 23/05/2007- |
| 020 | 32W3340 | MICROSWITCH | 11/03/2008- |
| 021 | 32X0010 | GROMMET Ø 7 Ø 3 | 01/09/1993- |
| 022 | 32X0130 | GROMMET Ø29-Ø37 | 01/09/1993- |
| 023 | 32Z2080 | RELAY | 01/09/1993- |
| 024 | 32Z2480 | THERMOSTAT 98/182° C | 01/09/1993- |
| 025 | 32Z3631 | SAFETY THERMOSTAT | 01/09/1993- |
| 026 | 33D0170 | COCK FF 3/4" | 01/09/1993- |
| 027 | 33Q5020 | DRAIN PIPE 45° FF Ø 22 | 01/09/1993- |
| 028 | 35A1640 | FLUE BACK PANEL | 01/09/1993- |
| 029 | 35B2001 | RH PANEL | 01/09/1993- |
| 030 | 35B2010 | RH PANEL | 01/09/1993- |
| 031 | 35B2022 | REAR PANEL | 15/01/1996- |
| 032 | 35D4460 | BOTTOM PLATE | 01/09/1993- |
| 033 | 35D4470 | REAR PLATE | 01/09/1993- |
| 034 | 35D4660 | PROTECTION | 01/09/1993- |
| 035 | 35G0020 | WELL LID | 01/09/1993- |
| 036 | 35S0540 | CAPILLARY BULB | 01/09/1993- |
| 037 | 35T3491 | FLAT BRACKET | 01/01/1998- |
| 038 | 35T3511 | "L" BRACKET | 25/10/2000- |
| 039 | 35T3540 | BULB HOLDER | 01/09/1993- |
| 040 | 35T3660 | COCK HANDLE | 01/09/1993- |
| 041 | 35T9650 | FLAT BRACKET | 01/09/1993- |
| 042 | 35Z0800 | CABLE INLET PIPE | 01/09/1993- |
| 043 | 36A2640 | BASKET 300X200X115 | 01/09/1993- |
| 044 | 36D2970 | ADJUSTABLE FOOT | 01/09/1993- |
| 045 | 36D3420 | RH END SIDE | 01/09/1993- |
| 046 | 36D3430 | LH END SIDE | 01/09/1993- |
| 047 | 36D4060 | PIN | 01/09/1993- |
| 048 | 36D4070 | DRAIN CONNECTION | 01/09/1993- |
| 049 | 36D4080 | DRAIN HOLE COVER | 01/09/1993- |
| 050 | 36M2130 | HANDLE | 01/09/1993- |
| 051 | 36M2400 | ELECTRIC CONTROL KNOB | 01/09/1993- |

| Pos | Code | Description | Info |
|------------|-------------|--------------------|-------------|
| 052 | 6002020 | COVER | 01/09/1993- |
| 053 | 32Q2170 | CABLE ASS.Y | 01/09/1993- |