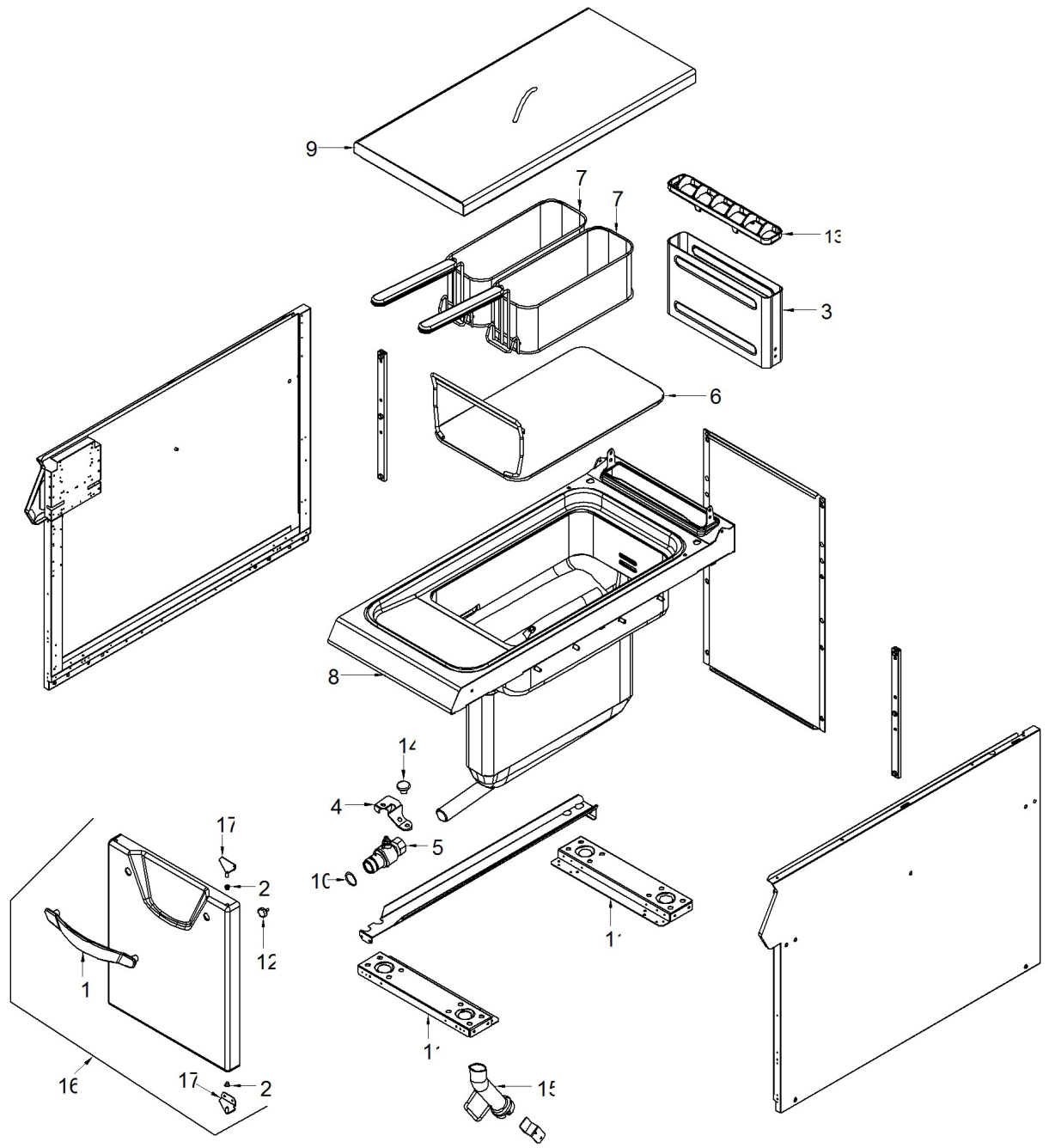
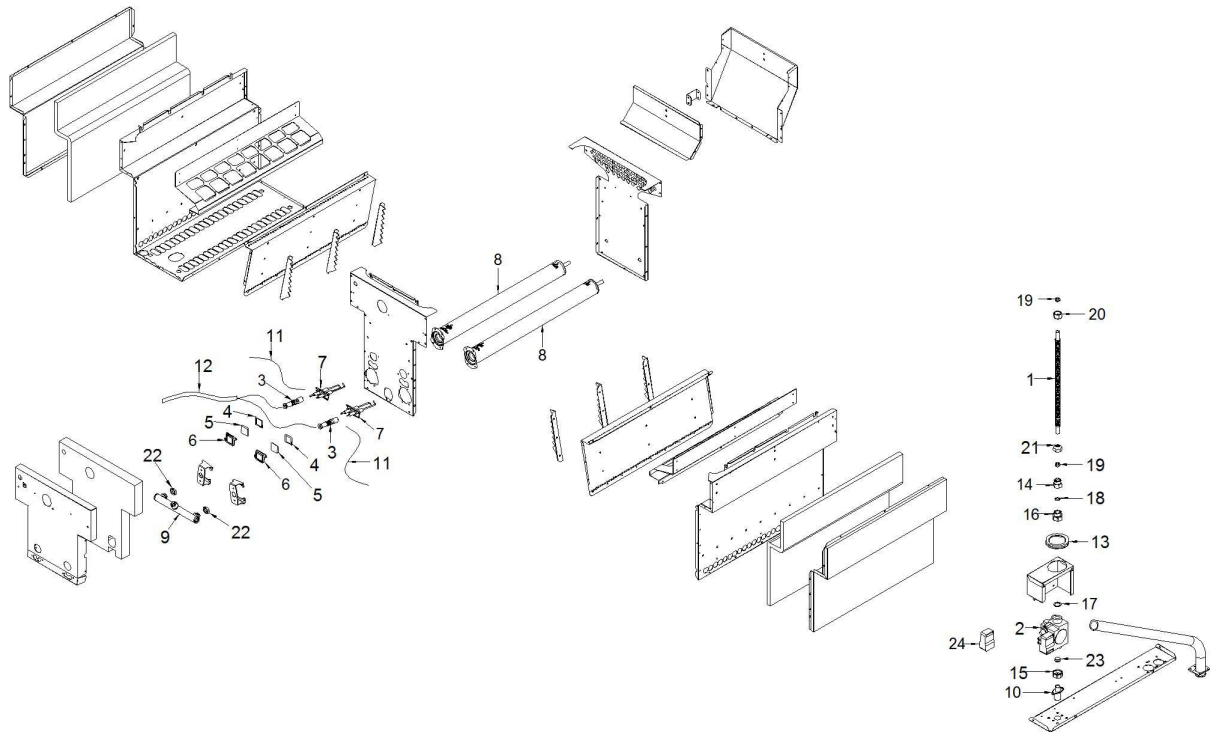


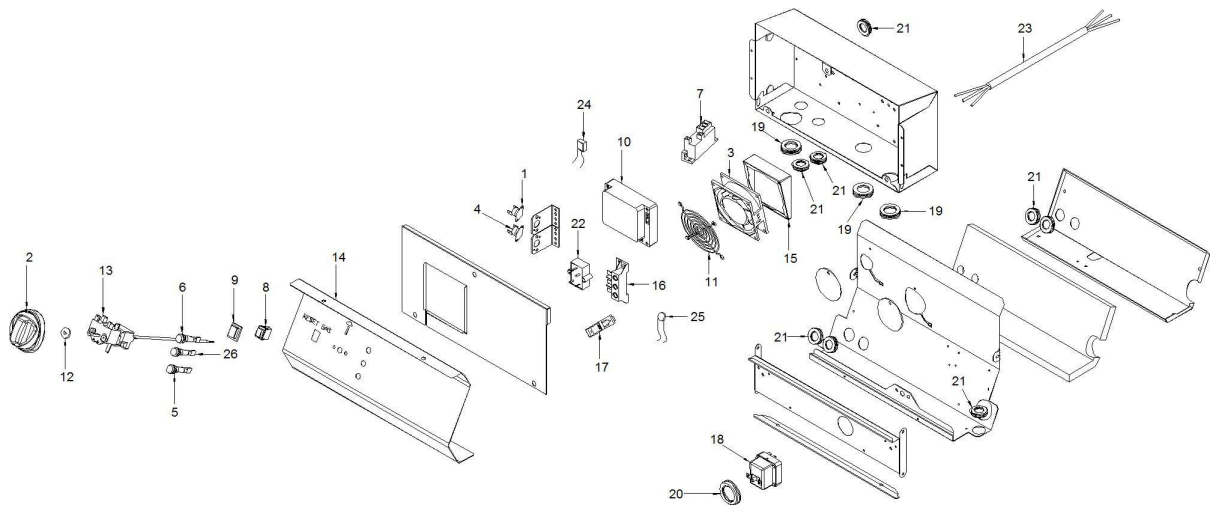


**091FR7G**

**Edition 20131004-**







Page	Pos	Code	Description	Info
002	001	3010573	HANDLE	04/10/2013-
002	002	3011000	BUSHING	15/09/2008-
002	003	30Q1810	EXT FLUE ASS. Y	15/09/2008-
002	004	3111500	COCK HANDLE	15/09/2008-
002	005	3111510	COCK C/OR	15/09/2008-
002	006	3123500	BOTTOM PLATE	15/09/2008-
002	007	3125140	BASKET	15/09/2008-
002	008	3134180	GAS TOP C/WELL ASS. Y	15/09/2008-
002	009	3134771	COVER	15/09/2008-
002	010	3151080	"O" RING Ø 29.80	15/09/2008-
002	011	35R1452	PROFILE OMEGA	15/09/2008-
002	012	3600090	MAGNET PLATE	15/09/2008-
002	013	36C2680	FLUE GUARD	15/09/2008-
002	014	36M5430	HANDLE	15/09/2008-
002	015	3212440	DRAIN PIPE	26/07/2012-
002	016	6029880	DOOR ASS.Y	20/06/2012-
002	017	6029110	HINGE ASSEMBLY	19/05/2010-
003	001	3066040	FLEXIBLE PIPE DN12 L=400	15/09/2008-
003	002	3011580	VALVE, SIGMA SIT. 840	15/09/2008-
003	002	3041070	VALVE, SIGMA SIT. 840 220V/60H	15/09/2008-
003	003	3253680	PLUG PROTECTION	10/09/2013-
003	004	3031901	GASKET	15/09/2008-
003	005	3070970	SPY-HOLE	15/09/2008-
003	006	3070980	SUPPORT GLASS	15/09/2008-
003	007	3148431	IGNITION PLUG	05/08/2010-
003	008	3111330	BURNER 13KW	15/09/2008-
003	009	3111350	FILLING FUNNEL	15/09/2008-
003	010	3126190	INTAKE UNION, GAS	15/09/2008-
003	011	3154220	R1/2 CABLE "HF" 700MM	15/09/2008-
003	012	3154280	CABLES	15/09/2008-
003	013	32X0350	GROMMET	15/09/2008-
003	014	33Q3140	SLEEVE 1/2"	15/09/2008-
003	015	33Q4830	"OGIVAL RETAINER UNION 3/4"" Ø16"	15/09/2008-
003	016	3215030	SLEEVE F3/4 M1/2	14/06/2013-
003	017	36E3600	WASHER	15/09/2008-
003	018	36E3610	WASHER	15/09/2008-
003	019	36Q0030	BICONE Ø12X8	15/09/2008-
003	020	36Q0050	BICONE NUT Ø 12	15/09/2008-
003	021	36Q0590	CLOSING BICONE NUT Ø 12	15/09/2008-
003	022	36Q1110	LOCK NUT 3/8"	15/09/2008-
003	023	36Q1820	OGIVAL GASKET, 16	15/09/2008-
003	024	3188170	230V-50Hz SOLENOID VALVE COIL	15/09/2008-
003	024	3188180	220V-60Hz SOLENOID VALVE COIL	15/09/2008-
004	001	3008880	ELECTRIC THERMOSTAT	15/09/2008-
004	002	3015831	EL. CONTROL ASS.Y	15/09/2008-
004	003	3076620	DRIVEN FAN	15/09/2008-
004	004	3093940	ELECTRIC THERMOSTAT 50 C	15/09/2008-
004	005	3106710	GREEN LIGHT 230V	15/09/2008-
004	006	3106720	RED LIGHT 230V	15/09/2008-
004	007	3107650	SPARK IGNITION DEVICE	15/09/2008-
004	008	3126050	RED BUTTON	15/09/2008-

Page	Pos	Code	Description	Info
004	009	3126060	SWITCH COVERING	15/09/2008-
004	010	3128260	COMBUSTION CONTROL	15/09/2008-
004	011	3148060	PROTECT GRID	15/09/2008-
004	012	3152240	THERMOSTAT PROTECT.	15/09/2008-
004	013	3156520	THERMOSTAT 102- 187C	15/09/2008-
004	014	3202420	CONTROL BOARD	20/09/2011-
004	015	3158360	TRIM	15/09/2008-
004	016	32D0171	TERMINAL BOARD	15/09/2008-
004	017	32D1820	CABLE CLAMP	15/09/2008-
004	018	32V6561	SAFETY THERMOSTAT	15/09/2008-
004	019	32X0120	GROMMETØ 21	15/09/2008-
004	020	32X0130	GROMMET Ø29-Ø37	15/09/2008-
004	021	32X0140	GROMMET Ø13,5-Ø25	15/09/2008-
004	022	32Z6090	FILTER	15/09/2008-
004	023	3127300	POWER SUPPLY CABLE	28/04/2009-
004	024	3183540	FILTER	21/09/2010-
004	025	3183550	FILTER	21/09/2010-
004	026	3205520	YELLOW LAMP	20/09/2011-