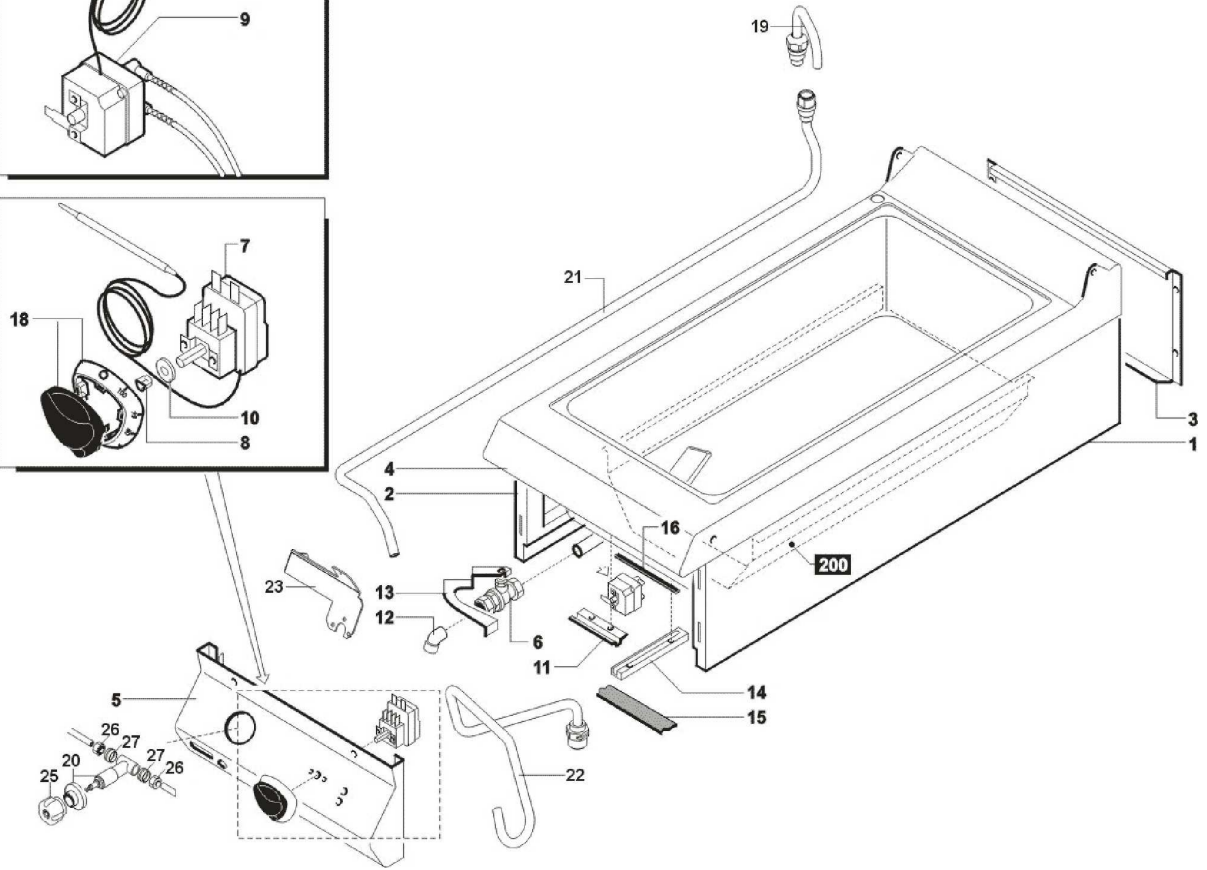
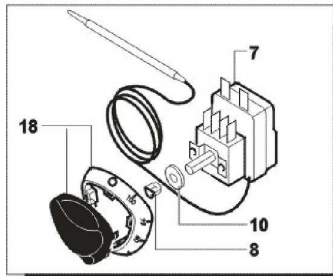
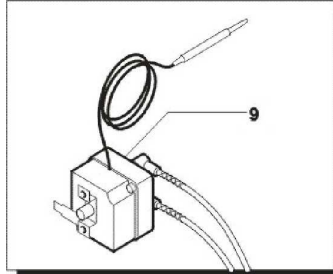
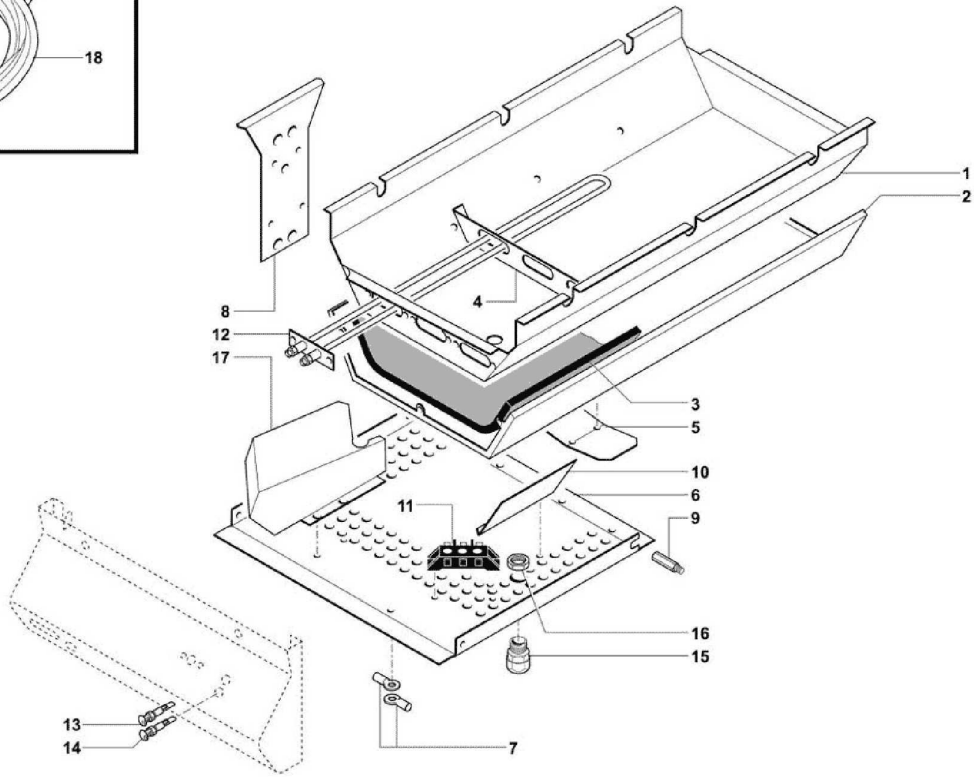
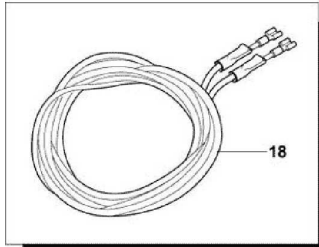




0A0BME

Edition 20120403-





| Page | Pos | Code | Description | Info |
|------|-----|---------|--------------------------|-------------|
| 002 | 001 | 30A4980 | RH PANEL | 11/03/2002- |
| 002 | 002 | 30A4970 | LH PANEL | 11/03/2002- |
| 002 | 003 | 35A1552 | REAR PANEL 400 | 03/04/2012- |
| 002 | 004 | 30M8053 | ELT. TOP C/WELL ASS. | 08/09/2003- |
| 002 | 005 | 30A4580 | CONTROL BOARD | 29/06/2001- |
| 002 | 006 | 33D2131 | COCK Ø18 | 29/01/2003- |
| 002 | 007 | 32Z9271 | THERMOSTAT 30-112° | 26/01/2010- |
| 002 | 008 | 3170290 | C KNOB SPRING | 01/02/1999- |
| 002 | 009 | 32Z9380 | THERMOSTAT 150°C | 01/02/1999- |
| 002 | 010 | 3152240 | THERMOSTAT PROTECT. | 01/02/1999- |
| 002 | 011 | 35R0380 | BULB SUPPORT | 01/02/1999- |
| 002 | 012 | 33Q3730 | DRAIN PIPE 45° MF Ø | 01/02/1999- |
| 002 | 013 | 36G7852 | COCK HANDLE | 29/01/2003- |
| 002 | 014 | 36C2810 | FEELER SUPPORT | 01/02/1999- |
| 002 | 015 | 157AA01 | GASKET | 01/02/1999- |
| 002 | 018 | 6300482 | EL. CONTROL ASS.Y | 01/02/1999- |
| 002 | 019 | 33Q4690 | WATER SPOUT | 29/06/2001- |
| 002 | 020 | 6300727 | COCK ASSEMBLY | 28/01/2009- |
| 002 | 021 | 30Z2780 | PIPE | 29/06/2001- |
| 002 | 022 | 30Z2790 | WATER PIPE ASS. Y | 29/06/2001- |
| 002 | 023 | 35R9490 | SUPPORT | 29/06/2001- |
| 002 | 025 | 3162200 | RED RING KNOB | 28/01/2009- |
| 002 | 200 | M001240 | M.ELECTRIC CHAMBER | 01/02/1999- |
| 003 | 001 | 35D9710 | HEATING ELEMENTS CHAMBER | 01/02/1999- |
| 003 | 002 | 35P0060 | INSULATION PANEL COVER | 01/02/1999- |
| 003 | 003 | 37Q2160 | INSULATING PANEL | 01/02/1999- |
| 003 | 004 | 35R0990 | HEATING EL. SUPPORT | 01/02/1999- |
| 003 | 005 | 35D9470 | OVEN PLATE HOLE | 01/02/1999- |
| 003 | 006 | 35E1610 | BOTTO MPLATE | 29/06/2001- |
| 003 | 007 | 17RNL01 | CABLE TERMINAL | 01/02/1999- |
| 003 | 008 | 35E0470 | SPLASH GUARD | 01/02/1999- |
| 003 | 009 | 36G2590 | PIN | 01/02/1999- |
| 003 | 010 | 35P0110 | GAS INLET GUARD | 01/02/1999- |
| 003 | 011 | 32D0171 | TERMINAL BOARD | 01/02/1999- |
| 003 | 012 | 32G2220 | HEATING ELEMENT | 01/02/1999- |
| 003 | 013 | 3106710 | GREEN LIGHT 230V | 23/05/2007- |
| 003 | 014 | 3106730 | ORANGE LIGHT 230V | 23/05/2007- |
| 003 | 015 | 32D0191 | FAIRLEAD | 01/02/1999- |
| 003 | 016 | 32D0200 | LOCK NUT PG16 | 01/02/1999- |
| 003 | 017 | 35E0481 | SPLASH GUARD | 29/01/2003- |
| 003 | 018 | 32Q4010 | EL. CABLES 0A0BME | 01/02/1999- |