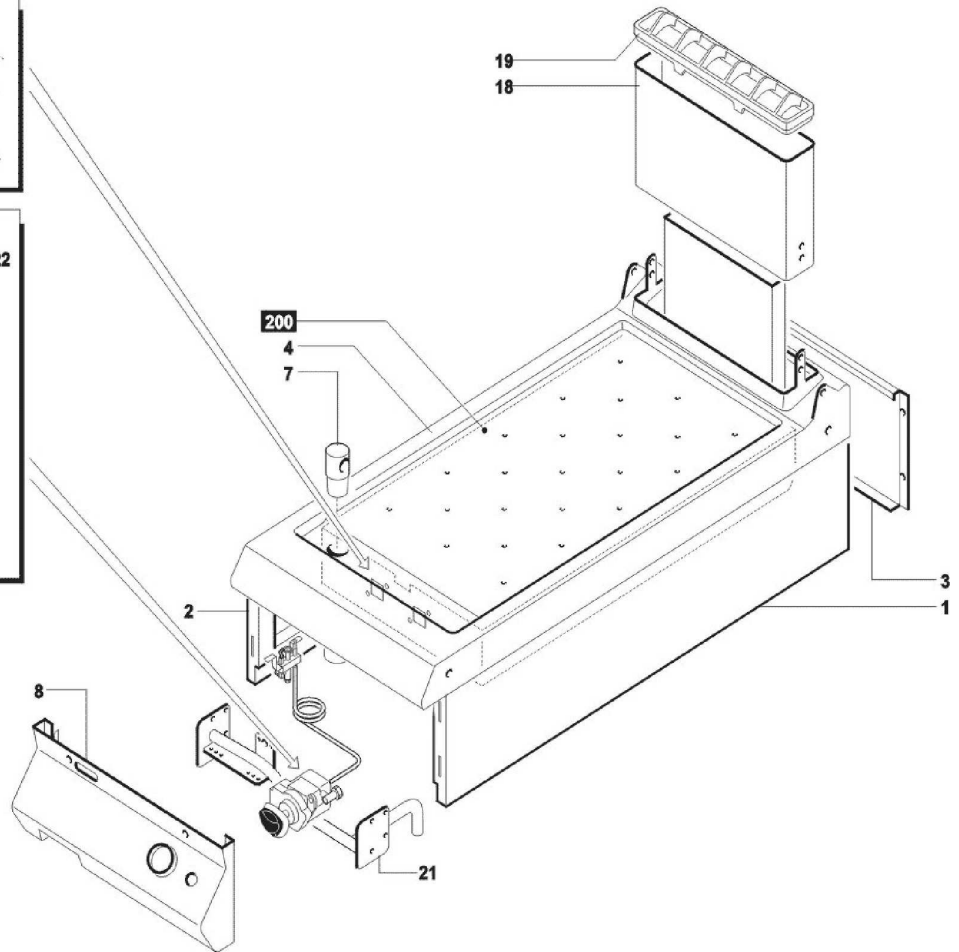
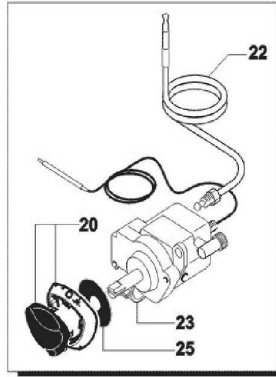
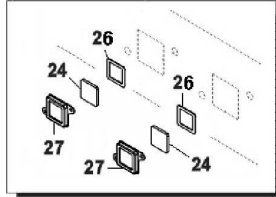
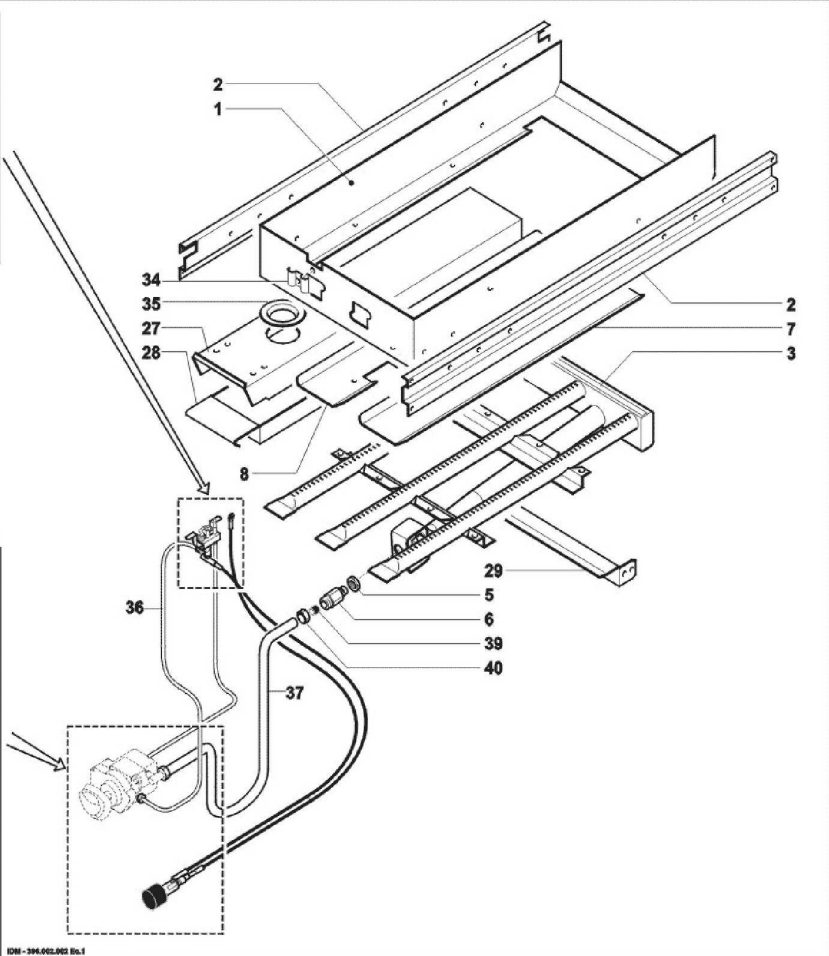
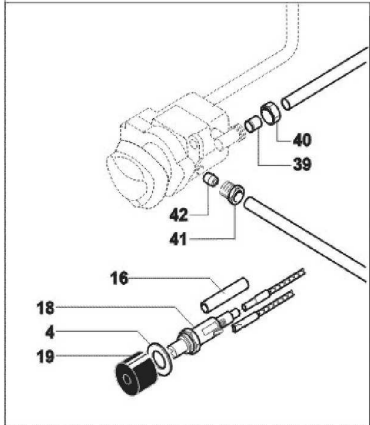
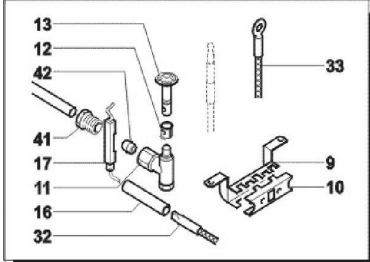




0A0FT1G

Edition 20120403-





ENH - 394.002.002 Bl.1

Page	Pos	Code	Description	Info
002	001	30A4980	RH PANEL	11/03/2002-
002	002	30A4970	LH PANEL	11/03/2002-
002	003	35A1552	REAR PANEL 400	03/04/2012-
002	004	30M7800	SMOOTH PLATE ASS. Y	24/10/2000-
002	007	3115040	PLUG	31/01/2008-
002	008	35A2901	UPPER CONTROL BOARD	01/06/2002-
002	012	32D1450	TERMINAL	31/01/2003-
002	018	30Q1810	EXT FLUE ASS. Y	30/10/2002-
002	019	36C2680	FLUE GUARD	01/02/1999-
002	020	6300503	GAS CONTROL ASS.Y 340°	24/10/2000-
002	021	30Z2610	GAS MANIFOLD	24/10/2000-
002	022	33A0680	THERMOCOUPLE M8X1X600	24/10/2000-
002	023	33A1790	THERMOSTATIC VALVE 140°-340°	24/10/2000-
002	024	3070970	SPY-HOLE	01/02/2006-
002	025	3152250	GAS VALVE GUARD Ø 50	24/10/2000-
002	026	3031901	GASKET	01/02/2006-
002	027	3070980	SUPPORT GLASS	01/02/2006-
002	200	M001110	400 FRAME COMP. ASS.	01/02/1999-
003	001	35E1330	COMBUSTION CHAMBER	24/10/2000-
003	002	35R1090	"OMEGA" BRACKET	01/02/1999-
003	003	34A1840	BURNER	01/02/1999-
003	004	3191100	WASHER Ø31 Ø18,3=2	01/02/1999-
003	005	36Q1110	LOCK NUT 3/8"	01/02/1999-
003	006	3035340	NOZZLE HOUSING	24/07/2006-
003	007	35D0600	BAFFLE	01/02/1999-
003	008	35D0610	DEFLECTOR	01/02/1999-
003	009	35V2570	PILOT BURNER SUPPORT	01/02/1999-
003	010	33A0950	REAR BRACKET	01/02/1999-
003	011	33A0690	PILOT BURNER BODY Ø0,40	02/09/2000-
003	012	33A0970	RING NUT	01/02/1999-
003	013	33A1081	THREE-FLAME BURNER	24/04/2008-
003	015	3152250	GAS VALVE GUARD Ø 50	18/04/2005-
003	016	131AA46	HOSE 8'X40	24/10/2000-
003	017	32T0010	IGNITION PLUG	27/01/2010-
003	018	3166990	PIEZO IGNITION	13/07/2010-
003	019	37Q2100	HEAT. ELEM. PROTECTION	01/02/1999-
003	027	35N1990	TRAY SUPPORT	05/02/2004-
003	028	35N2250	DRIP TRAY	01/02/1999-
003	029	35R4800	"L" BRACKET	01/02/1999-
003	032	32A0431	CABLE "HF" 600MM	07/10/2009-
003	033	32A0441	EARTH CABLE 600 MM	01/02/1999-
003	034	35T3540	BULB HOLDER	01/02/1999-
003	036	35Z2080	PILOT LIGHT PIPE	24/10/2000-
003	037	3014320	FLEXIBLE PIPE DN10 L=400	03/02/2005-
003	038	36G3680	BUSHING Ø 8	24/10/2000-
003	039	36Q0080	BICONE Ø 10X6.5	24/10/2000-
003	040	36Q0610	BICONE SCREW Ø10	24/10/2000-
003	041	36Q1000	CLOSING BICONE NUT Ø4	24/10/2000-
003	042	36Q1040	BICONE Ø4	24/10/2000-
003	043	36Q1700	BICONE Ø10Ø12X14	24/10/2000-