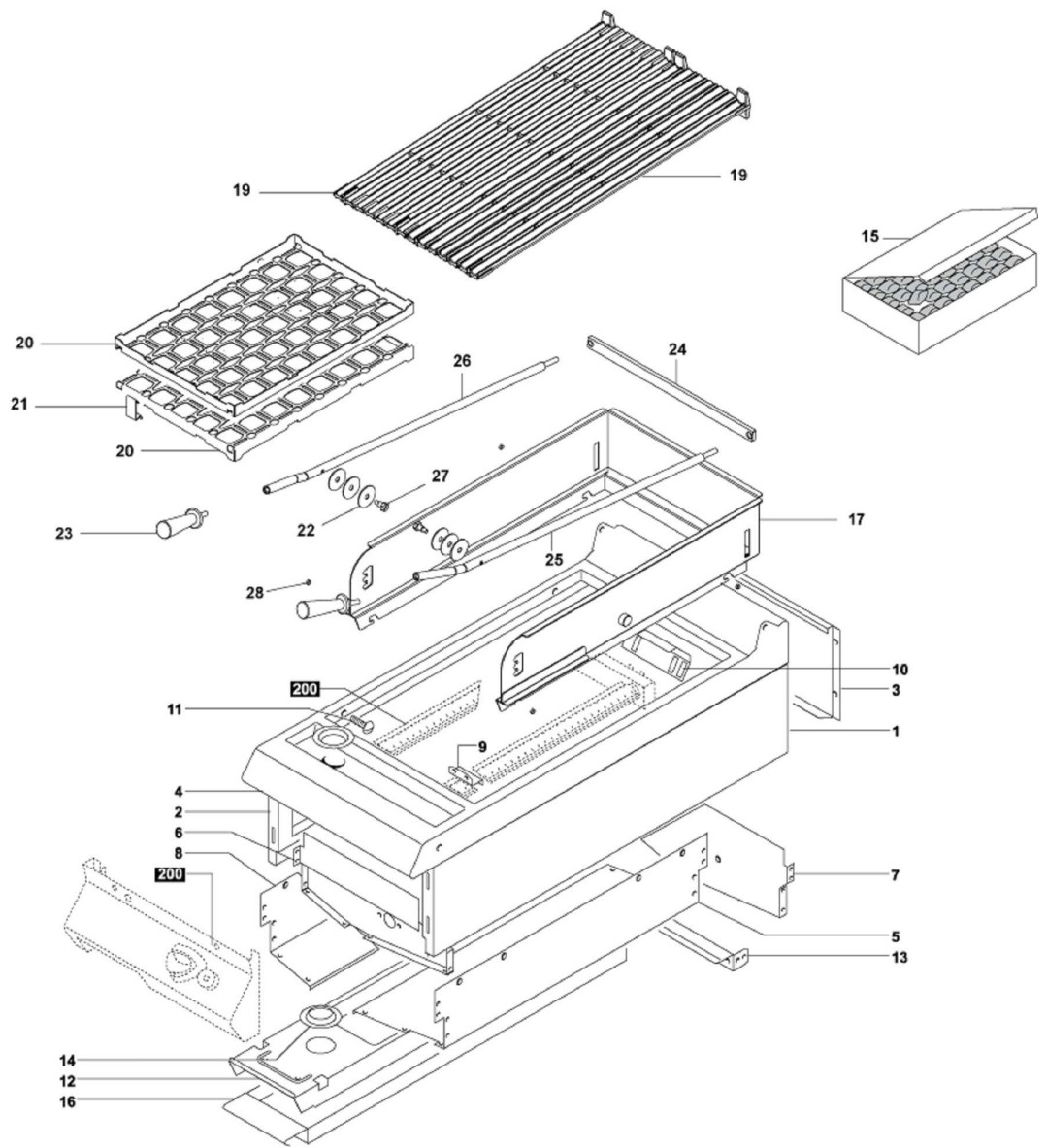
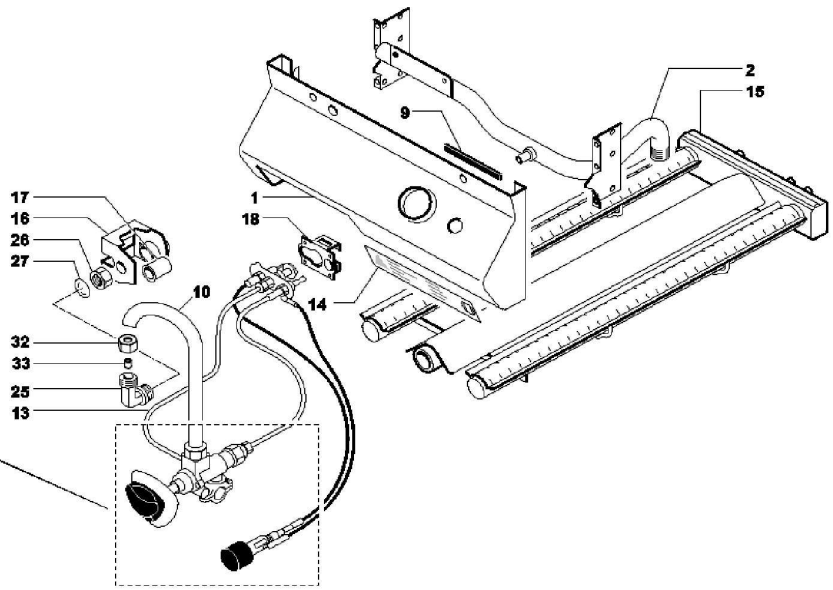
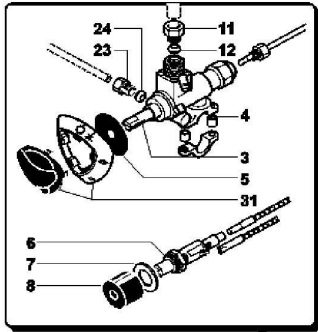
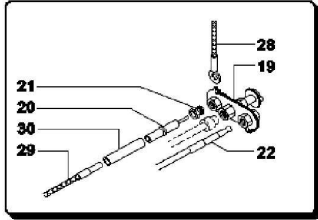




0A0GRG

Edition 20130719-





Page	Pos	Code	Description	Info
002	001	30A4980	RH PANEL	11/03/2002-
002	002	30A4970	LH PANEL	11/03/2002-
002	003	35A1552	REAR PANEL 400	03/04/2012-
002	004	30M7531	HOB ASS. Y	19/09/2003-
002	005	35E0820	RIGHT SIDE HALF CHAMBER	01/03/2001-
002	006	35R5840	FRONT HALFCHAMBER	01/03/2001-
002	007	35R5850	REAR HALF CHAMBER	01/03/2001-
002	008	35R6970	LEFT SIDE HALF	01/03/2001-
002	009	35R6940	CHAMBER "BRACKET \\\\Z\\\\""	01/03/2001-
002	010	35R6950	BURNER SUPPORT	01/03/2001-
002	011	31E0030	SCREW TCB LARGE M5X20	02/01/2004-
002	012	35R6960	TRAY SUPPORT	01/03/2001-
002	013	35R4800	"L" BRACKET	01/03/2001-
002	015	37T1320	CERAMIC BRICKET BOX	01/03/2001-
002	016	35W4870	SPILLAGE TRAY	01/03/2001-
002	017	3011510	SPRAY GUARD	01/01/2004-
002	019	3008250	GAS GRID	01/01/2004-
002	020	36A5290	FRAME	07/11/2002-
002	021	35Y2780	SPRING	07/11/2002-
002	022	3000860	WASHER	01/01/2004-
002	023	3000900	BALL HANDLE	01/01/2004-
002	024	3008240	PLATE	01/01/2004-
002	025	3009960	RIGHT COCK HANDLE	01/01/2004-
002	026	3009970	LEFT COCK HANDLE	01/01/2004-
002	027	3098290	SCREW Ø20x25	01/01/2004-
002	028	36G3680	BUSHING Ø 8	01/01/2004-
002	200	M006790	GAS MANIFOLD ASS.Y/CONTROL	01/03/2001-
003	001	35H1352	UPPER CONTROL BOARD	19/09/2003-
003	002	30Z2500	GAS MANIFOLD ASS. Y	01/03/2001-
003	003	33D1991	GAS CONTROL	01/03/2001-
003	004	36G3680	BUSHING Ø 8	01/03/2001-
003	005	3152250	GAS VALVE GUARD Ø 50	01/03/2001-
003	006	3166990	PIEZO IGNITION	13/07/2010-
003	007	3191100	WASHER Ø31 Ø18,3=2	01/03/2001-
003	008	37Q2100	HEAT. ELEM. PROTECTION	01/03/2001-
003	009	137AA12	GASKET (U.M.=mt)	10/09/2004-
003	010	3014320	FLEXIBLE PIPE DN10 L=400	03/02/2005-
003	011	36Q0830	BICONE NUT Ø 10	01/03/2001-
003	012	36Q0080	BICONE Ø 10X6.5	01/03/2001-
003	013	35Z1970	RH PILOT GAS FLAME PIPE	01/03/2001-
003	014	37N1280	LABEL USE CERAMIC GRID	01/03/2001-
003	015	34A2082	BURNER 9 KW	19/07/2013-
003	016	36E1930	BURNER BRACKET	01/03/2001-
003	017	36C1210	BUSHING	01/03/2001-
003	018	35E0810	SUPPORT BURNER	01/03/2001-
003	019	33A1630	PILOT BURNER BODY	01/03/2001-
003	020	32T0190	IGNITION PLUG	01/03/2001-
003	021	36Q1050	PIEZO IGN. CONNECTOR	01/03/2001-
003	022	33A0680	THERMOCOUPLE M8X1X600	01/03/2001-
003	023	36Q1000	CLOSING BICONE NUT Ø4	01/03/2001-
003	024	36Q1040	BICONE Ø4	01/03/2001-

Page	Pos	Code	Description	Info
003	025	33Q3840	NOZZLE SUPPORT.	01/03/2001-
003	026	36Q0980	ELBOW LOCK NUT M16X1.5	01/03/2001-
003	027	3121440	WASHER	01/03/2001-
003	028	32A0441	EARTH CABLE 600 MM	01/03/2001-
003	029	32A2851	CABLE "HF" 600MM	07/10/2009-
003	030	131AA46	HOSE 8'X40	01/03/2001-
003	031	6300489	GAS CONTROL ASS.Y	01/03/2001-
003	032	36Q0610	BICONE SCREW Ø10	01/03/2001-
003	033	36Q1700	BICONEØ10Ø12X14	01/03/2001-