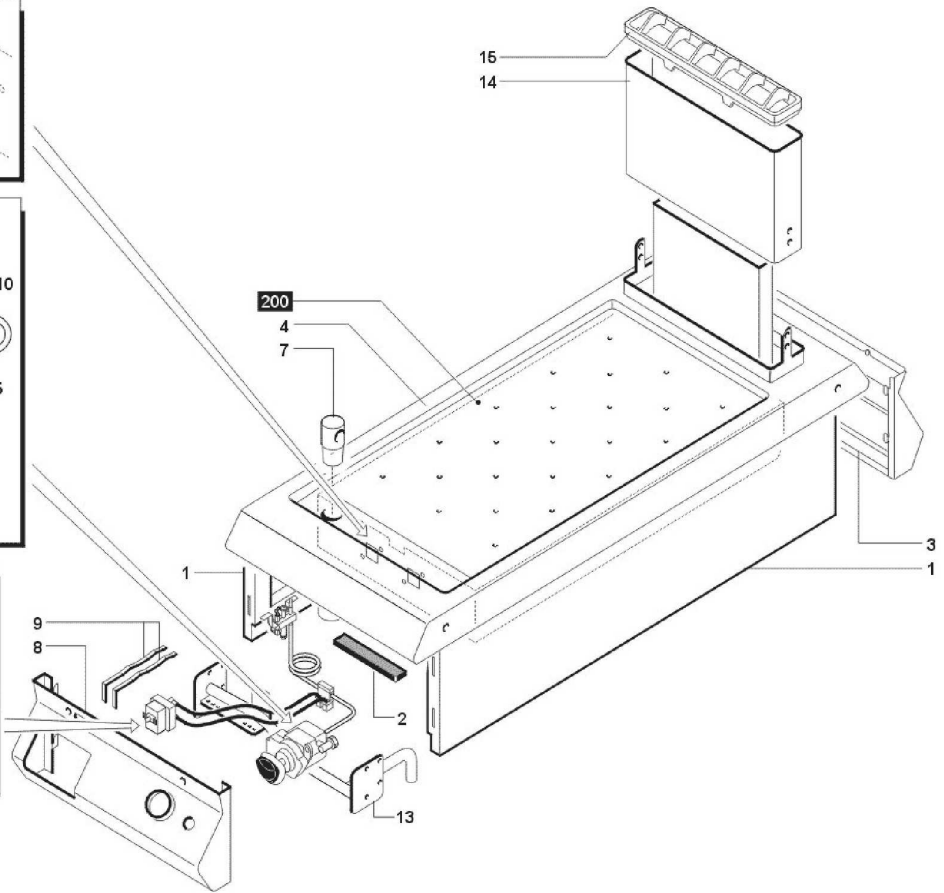
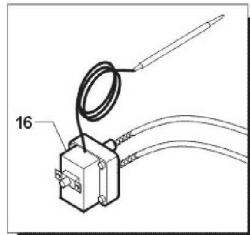
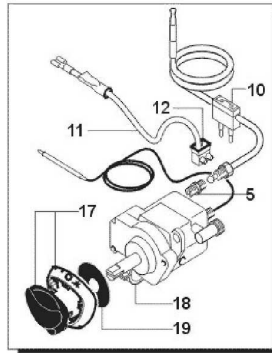
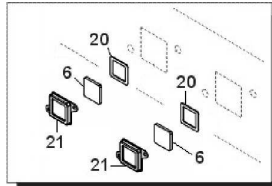
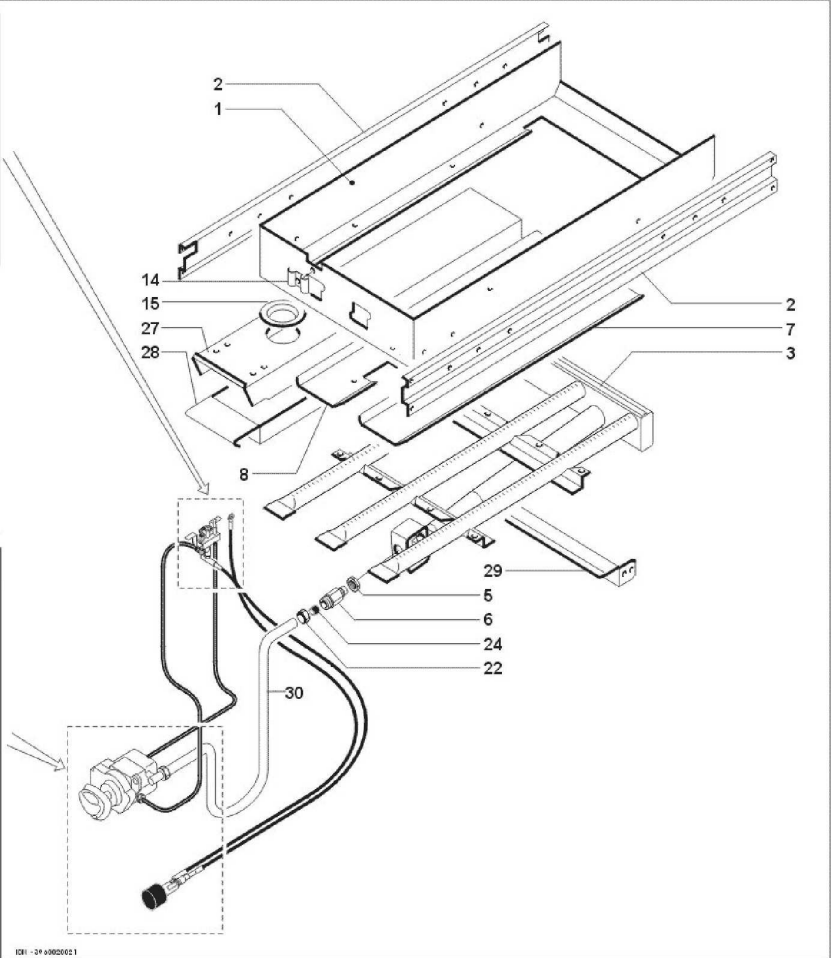
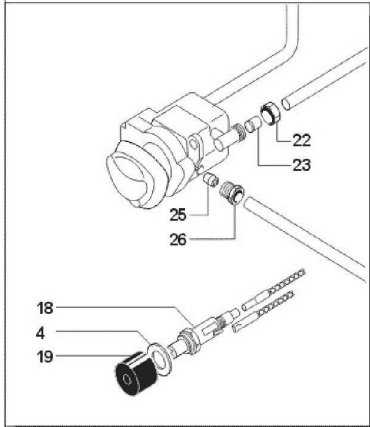
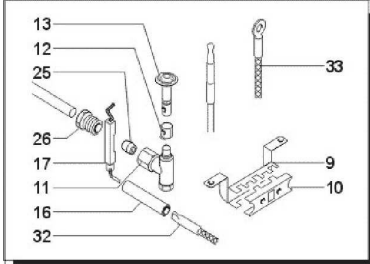




OB0FT4G

Edition 20100713-





101 - 24 0000001

Page	Pos	Code	Description	Info
002	001	35H1390	PANEL	01/12/2000-
002	002	137AA12	GASKET (U.M.=mt)	10/09/2004-
002	003	35A7611	UPPER CONTROL BOARD	01/06/2002-
002	004	30M7670	SMOOTH PLATE ASS. Y	01/12/2000-
002	005	33Q2940	NIPPLE MM M8-M9	01/12/2000-
002	006	3070970	SPY-HOLE	01/02/2006-
002	007	3115040	PLUG	31/01/2008-
002	008	35A2901	UPPER CONTROL	01/06/2002-
002	009	35Y1190	BOARD FEELER HOLDER	01/12/2000-
002	010	33A0140	INTERRUPTED THERMOC. M9X1X600	01/12/2000-
002	011	32A2490	CABLE 350MM	01/12/2000-
002	012	32D1450	TERMINAL	31/01/2003-
002	013	30Z2610	GAS MANIFOLD	01/12/2000-
002	014	30Q1810	EXT FLUE ASS. Y	30/10/2002-
002	015	36C2680	FLUE GUARD	01/12/2000-
002	016	32Z1400	SAFETY THERMOSTAT	01/12/2000-
002	017	6300504	GAS CONTROL ASS.Y 280°	01/12/2000-
002	018	33A1850	THERMOSTATIC VALVE 120°-280°	01/12/2000-
002	019	3152250	GAS VALVE GUARD Ø 50	01/12/2000-
002	020	3031901	GASKET	01/02/2006-
002	021	3070980	SUPPORT GLASS	01/02/2006-
002	200	M007690	400 FRAME COMP. ASS.Y	01/12/2000-
003	001	35E1330	COMBUSTION CHAMBER	01/12/2000-
003	002	35R8900	LOWER CROSS SECTION	01/12/2000-
003	003	34A1840	BURNER	01/12/2000-
003	004	3191100	WASHER Ø31 Ø18,3=2	01/12/2000-
003	005	36Q1110	LOCK NUT 3/8"	01/12/2000-
003	006	3035340	NOZZLE HOUSING	24/07/2006-
003	007	35D0600	BAFFLE	01/12/2000-
003	008	35D0610	DEFLECTOR	01/12/2000-
003	009	35V2570	PILOT BURNER SUPPORT	01/12/2000-
003	010	33A0950	REAR BRACKET	01/12/2000-
003	011	33A0690	PILOT BURNER BODY Ø0,40	01/12/2000-
003	012	33A0970	RING NUT	01/12/2000-
003	013	33A1081	THREE-FLAME BURNER	24/04/2008-
003	014	35T3540	BULB HOLDER	01/12/2000-
003	016	131AA46	HOSE 8'X40	01/12/2000-
003	017	32T0010	IGNITION PLUG	27/01/2010-
003	018	3166990	PIEZO IGNITION	13/07/2010-
003	019	37Q2100	HEAT. ELEM.	01/12/2000-
003	022	36Q0610	PROTECTION BICONE SCREW Ø10	01/12/2000-
003	023	36Q1700	BICONE Ø10Ø12X14	01/12/2000-
003	024	36Q0080	BICONE Ø 10X6.5	01/12/2000-
003	025	36Q1040	BICONE Ø4	01/12/2000-
003	026	36Q1000	CLOSING BICONE NUT Ø4	01/12/2000-
003	027	35N1990	TRAY SUPPORT	05/02/2004-
003	028	35N2250	DRIP TRAY	01/12/2000-
003	029	35R4800	"L" BRACKET	01/12/2000-
003	030	3014320	FLEXIBLE PIPE DN10 L=400	03/02/2005-
003	032	32A0431	CABLE "HF" 600MM	07/10/2009-
003	033	32A0441	EARTH CABLE 600 MM	01/12/2000-