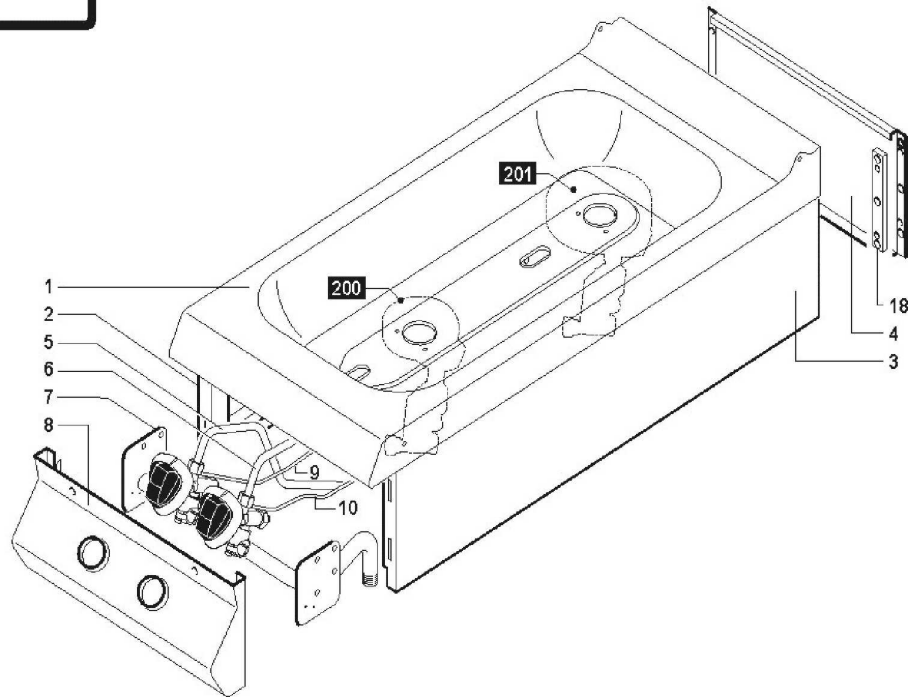
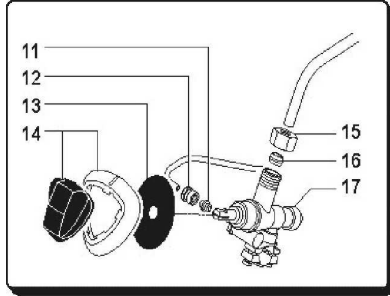
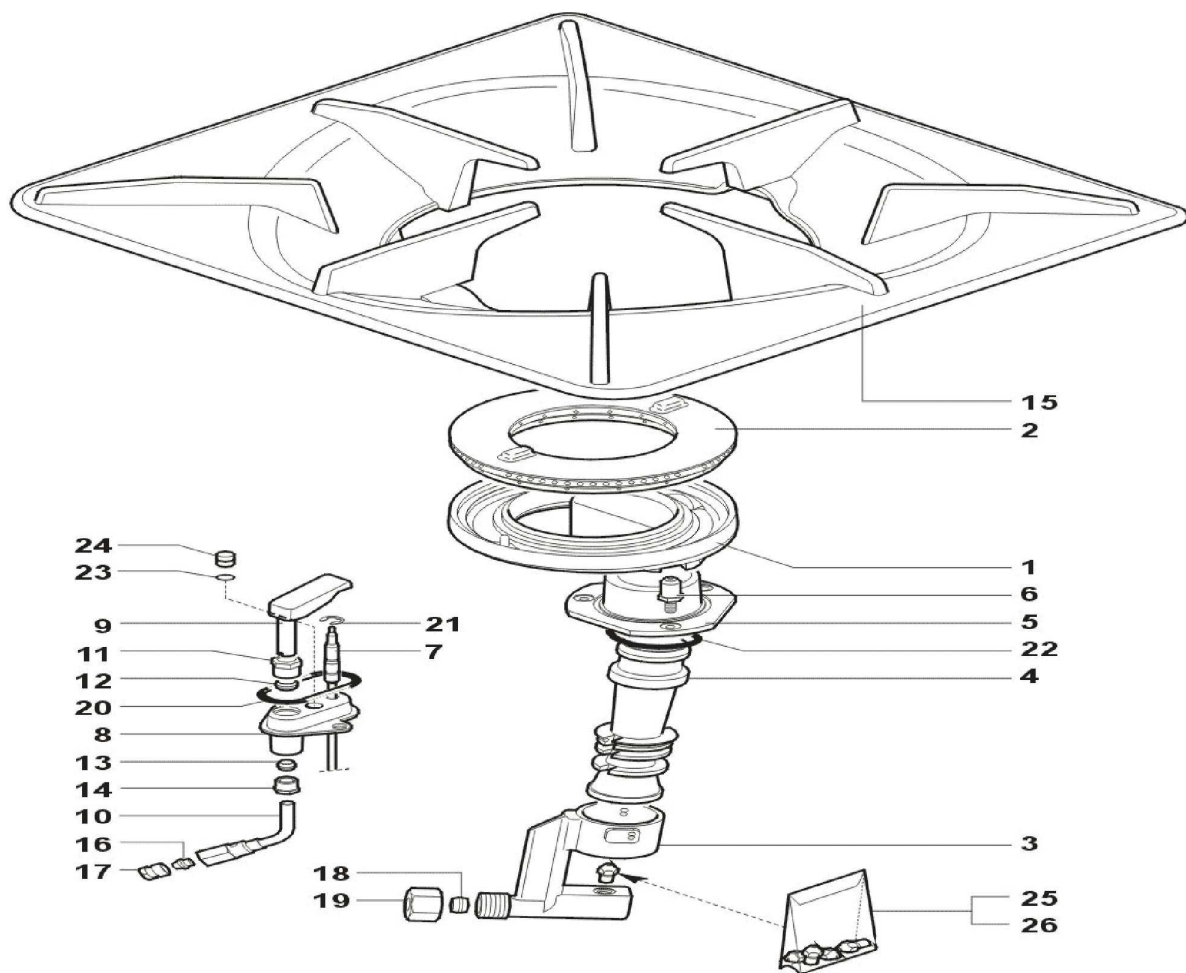




OD0FA1

Edition 20120112-

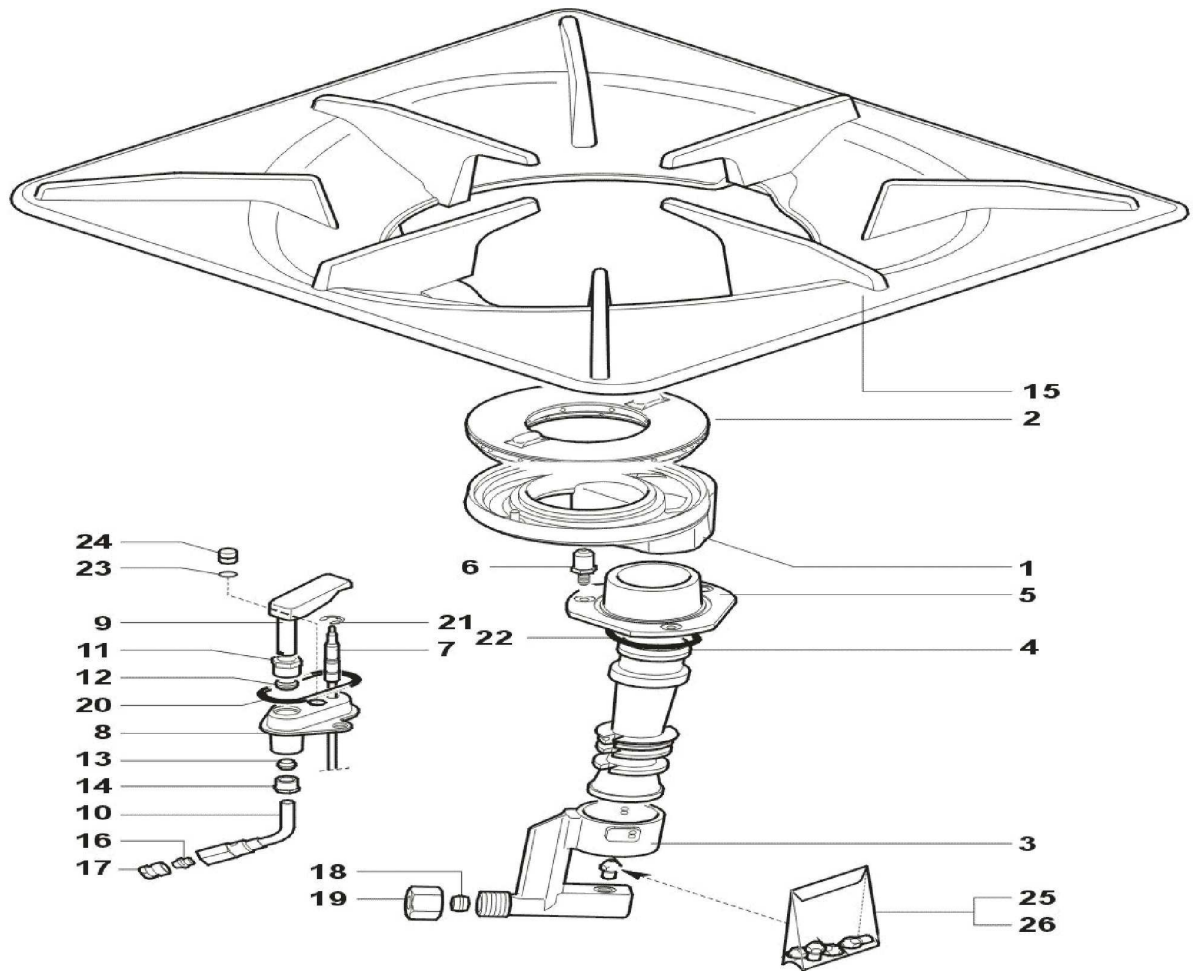




- 24
- 23
- 9
- 11
- 12
- 20
- 8
- 13
- 14
- 10
- 16
- 17

- 21
- 7
- 18
- 19

- 15
- 2
- 1
- 6
- 5
- 22
- 4
- 3
- 25
- 26



Page	Pos	Code	Description	Info
002	001	30M3701	PIANO COMP.GAS	01/02/2002-
002	002	30A4970	LH PANEL	01/02/2002-
002	003	30A4980	RH PANEL	01/02/2002-
002	004	35C8020	REAR PANEL	01/02/2002-
002	005	35X5371	BURNER PIPE	01/02/2002-
002	006	35X5381	BURNER PIPE	01/02/2002-
002	007	30Z2110	GAS MANIFOLD ASS. Y	01/02/2002-
002	008	30A4620	UPPER CONTROL BOARD	01/02/2002-
002	009	35X4361	PILOT PIPE	01/02/2002-
002	010	35X4371	PILOT PIPE	01/02/2002-
002	011	36Q1040	BICONE Ø4	01/02/2002-
002	012	36Q1000	CLOSING BICONE NUT Ø4	01/02/2002-
002	013	3152250	GAS VALVE GUARD Ø 50	01/02/2002-
002	014	6300521	GAS CONTROL ASS.Y	01/02/2002-
002	015	36Q0830	BICONE NUT Ø 10	01/02/2002-
002	016	36Q0080	BICONE Ø 10X6.5	01/02/2002-
002	017	33D1930	GAS CONTROL	01/02/2002-
002	018	36E0370	STIFFENING	01/02/2002-
002	200	M006110	M.BURNER	01/02/2002-
002	201	M006100	M.BURNER	01/02/2002-
003	001	34A2052	BURNER Ø 130	15/09/2004-
003	002	34A2060	BURNER CAP Ø 130	01/02/2002-
003	003	34A2020	NOZZLE SUPP.	01/02/2002-
003	004	34A2000	CONNECT. VENTURI Ø 14.5	01/02/2002-
003	005	34A2071	BURNER SUPPORT	03/12/2009-
003	006	31V0241	PIVOT	23/05/2003-
003	007	33A0680	THERMOCOUPLE M8X1X600	01/02/2002-
003	008	34A2381	PILOT BURNER	28/01/2010-
003	009	33A1490	SUPPORT PILOT PIPE	01/02/2002-
003	010	33A1920	PILOT BURNER BODY	01/02/2002-
003	011	36Q1620	BICONE SCREW M 12X1	01/02/2002-
003	012	36Q1630	BICONE Ø 8X6.5	01/02/2002-
003	013	36Q0020	BICONE Ø 6 X 6.5	01/02/2002-
003	014	36Q0060	CLOSING BICONE NUT Ø 6	01/02/2002-
003	015	36A2002	GRID	12/01/2012-
003	016	36Q1040	BICONE Ø4	01/02/2002-
003	017	36Q1000	CLOSING BICONE NUT Ø4	01/02/2002-
003	018	36Q0080	BICONE Ø 10X6.5	01/02/2002-
003	019	36Q0610	BICONE SCREW Ø10	01/02/2002-
003	020	3152370	RING "OR" Ø 34.65	01/02/2002-
003	021	3120460	SEAL RING	01/02/2002-
003	022	3152040	RING "OR" Ø 47,35	01/02/2002-
003	023	3152550	RING "OR" Ø 6.0	01/02/2002-
003	024	31V0370	HOLE PLUG	01/02/2002-
003	025	6012690	"SET OF NOZZLE G20- G25 ""CE"""	01/02/2002-
003	026	6012700	"SET OF NOZZLE G30- G31 ""CE"""	01/02/2002-
003	027	3123650	WASHER	23/05/2003-
003	028	31A0400	STEEL SCREW M5X16	23/05/2003-
004	001	34A2032	BURNER Ø 110	15/09/2004-
004	002	34A2040	BURNER CAP Ø 110	01/02/2002-
004	003	34A2020	NOZZLE SUPP.	01/02/2002-

Page	Pos	Code	Description	Info
004	004	34A2010	CONNECT. VENTURI Ø12.5	01/02/2002-
004	005	34A2071	BURNER SUPPORT	03/12/2009-
004	006	31V0241	PIVOT	23/05/2003-
004	007	33A0680	THERMOCOUPLE M8X1X600	01/02/2002-
004	008	34A2381	PILOT BURNER	28/01/2010-
004	009	33A1490	SUPPORT PILOT PIPE	01/02/2002-
004	010	33A1920	PILOT BURNER BODY	01/02/2002-
004	011	36Q1620	BICONE SCREW M 12X1	01/02/2002-
004	012	36Q1630	BICONE Ø 8X6.5	01/02/2002-
004	013	36Q0020	BICONE Ø 6 X 6.5	01/02/2002-
004	014	36Q0060	CLOSING BICONE NUT Ø 6	01/02/2002-
004	015	36A2002	GRID	12/01/2012-
004	016	36Q1040	BICONE Ø4	01/02/2002-
004	017	36Q1000	CLOSING BICONE NUT Ø4	01/02/2002-
004	018	36Q0080	BICONE Ø 10X6.5	01/02/2002-
004	019	36Q0610	BICONE SCREW Ø10	01/02/2002-
004	020	3152370	RING "OR" Ø 34.65	01/02/2002-
004	021	3120460	SEAL RING	01/02/2002-
004	022	3152040	RING "OR" Ø 47,35	01/02/2002-
004	023	3152550	RING "OR" Ø 6.0	01/02/2002-
004	024	31V0370	HOLE PLUG	01/02/2002-
004	025	6012690	"SET OF NOZZLE G20- G25 ""CE"""	01/02/2002-
004	026	6012700	"SET OF NOZZLE G30- G31 ""CE"""	01/02/2002-
004	027	3123650	WASHER	23/05/2003-
004	028	31A0400	STEEL SCREW M5X16	23/05/2003-