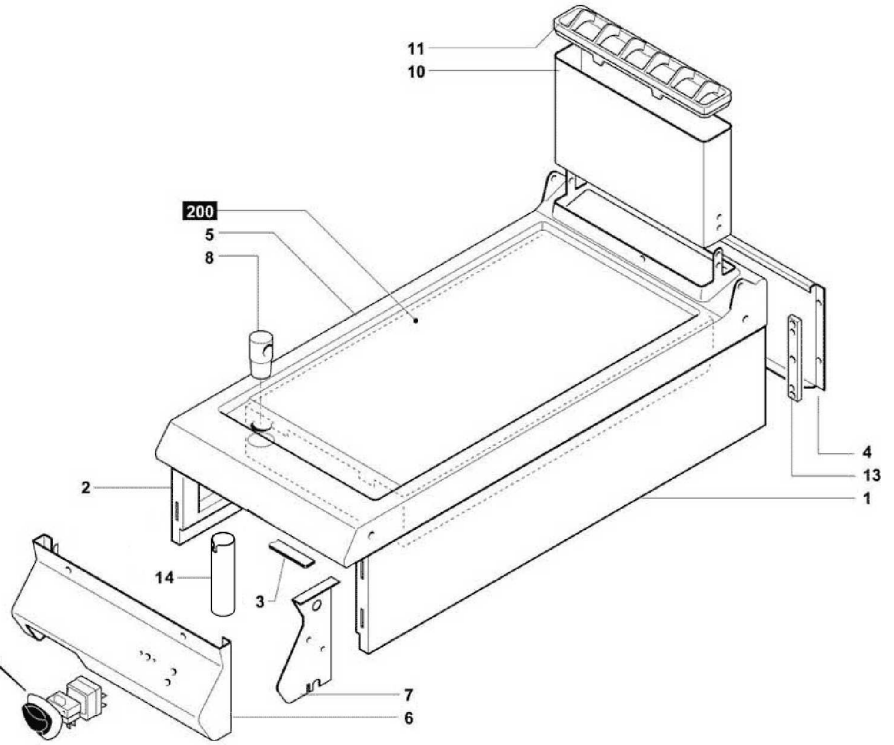
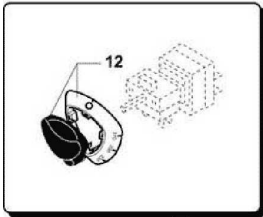
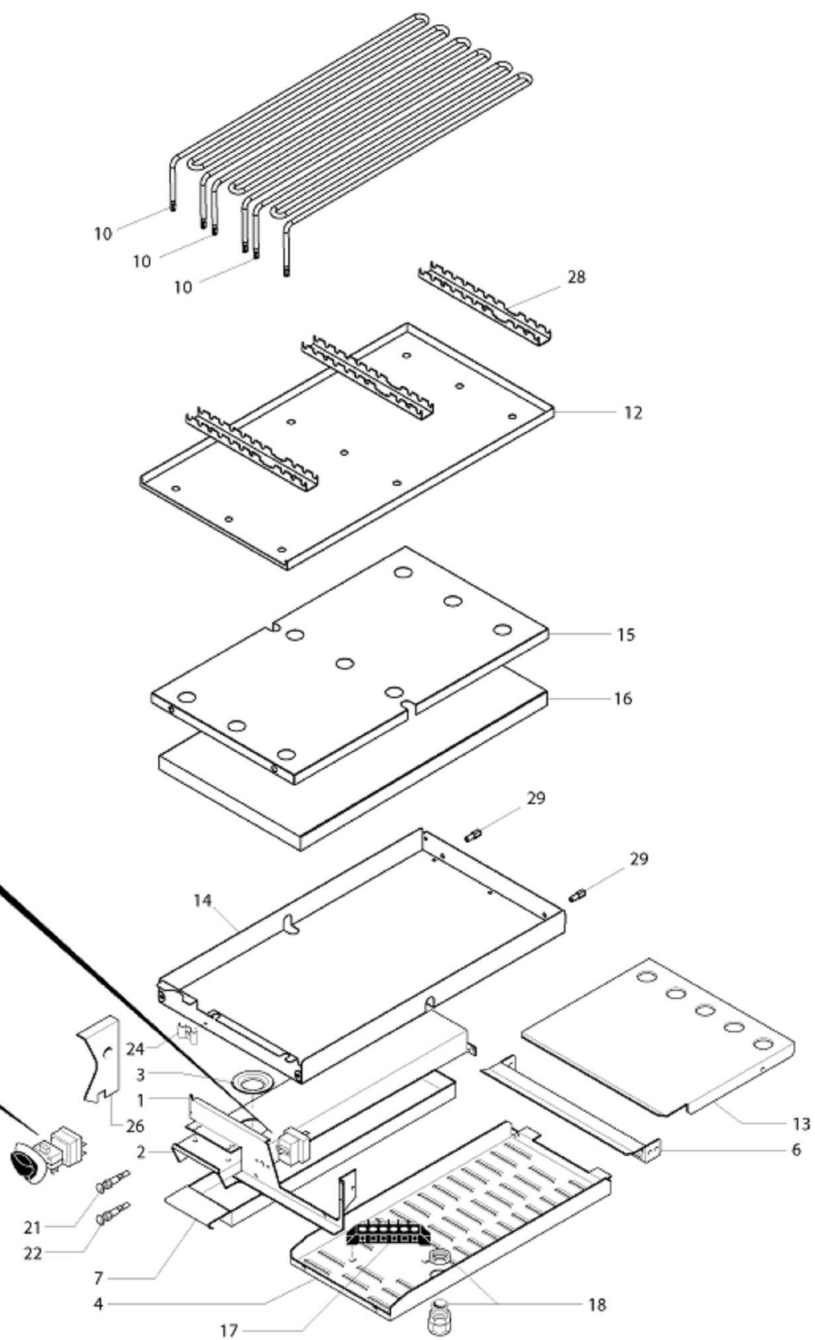
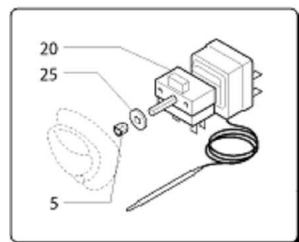
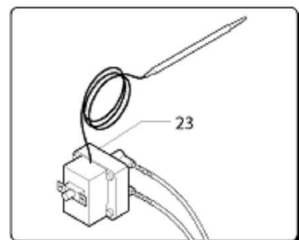
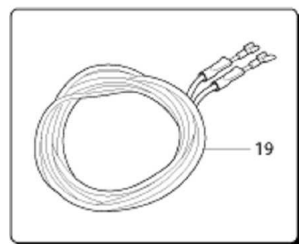




**OD0FT1E**

**Edition 20150212-**





Page	Pos	Code	Description	Info
002	001	30A4980	RH PANEL	11/03/2002-
002	002	30A4970	LH PANEL	11/03/2002-
002	004	35C8020	REAR PANEL	01/02/1999-
002	005	3058640	SMOOTH PLATE ASS. Y	20/10/2005-
002	006	35A6141	UPPER CONTROL BOARD	01/06/2002-
002	007	35Y0610	SPLASH GUARD	01/02/1999-
002	008	3115040	PLUG	31/01/2008-
002	010	30Q1810	EXT FLUE ASS. Y	30/10/2002-
002	011	36C2680	FLUE GUARD	01/02/1999-
002	012	6300492	EL. CONTROL ASS.Y	01/02/1999-
002	013	36E0370	STIFFENING	01/02/1999-
002	014	3014550	DRAIN PIPE	20/10/2005-
002	200	M003550	400 FRAME COMP. ASS.	01/02/1999-
003	001	35R3570	FRONT PANEL	01/02/1999-
003	002	35N1990	TRAY SUPPORT	01/02/1999-
003	004	35N2121	BOTTOM PLATE	24/05/2004-
003	005	3170290	KNOB SPRING	01/02/1999-
003	006	35R4800	"L" BRACKET	01/02/1999-
003	007	35N2250	DRIP TRAY	01/02/1999-
003	010	3177350	HEATING EL. 2200W 230V	12/02/2015-
003	012	3058540	HEATING EL. COVERING	20/10/2005-
003	013	35Y1250	BOTTOM PLATE	01/02/1999-
003	014	3058570	INS. PANEL COVERING	20/10/2005-
003	015	3058580	INS. PANEL COVERING	20/10/2005-
003	016	37Q4051	INSULANTING PANEL	01/02/1999-
003	017	32D1800	TERMINAL BOARD	24/05/2004-
003	018	32D1780	FAIRLEAD	24/05/2004-
003	019	32Q4180	EL. CABLES 0A0FTE	01/02/1999-
003	020	32Z7400	THERMOSTAT 100- 260° C	01/02/1999-
003	021	6300652	GREEN LIGHT 400V	23/05/2007-
003	022	6300651	ORANGE LIGHT 400V ASS.Y	23/05/2007-
003	023	32Z9202	SAFETY THERMOSTAT	10/11/2004-
003	024	35T3540	BULB HOLDER	01/02/1999-
003	025	3150790	THERMOSTAT PROTECT.	01/02/1999-
003	026	35Y1460	PARA-SPRINKLES SIDE LH	17/09/1999-
003	027	3152240	THERMOSTAT PROTECT.	11/04/2002-
003	028	3058590	SLIDE	20/10/2005-
003	029	36D0090	PIN	20/10/2005-