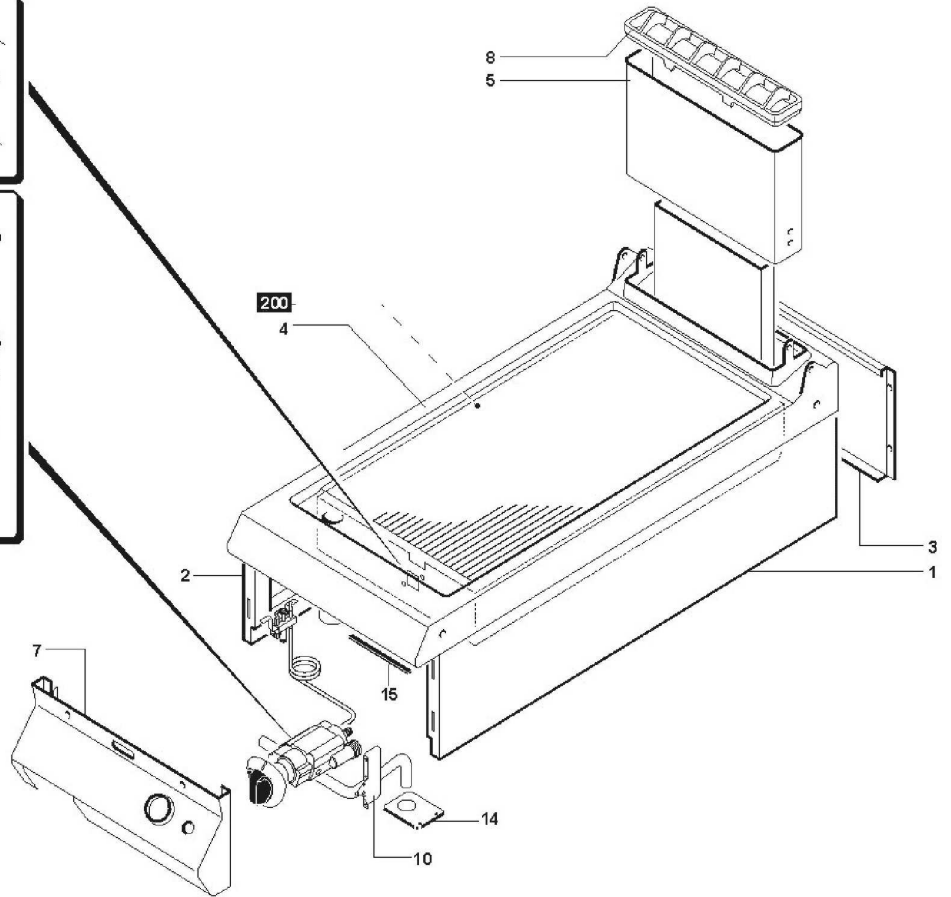
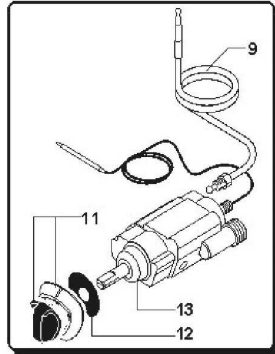
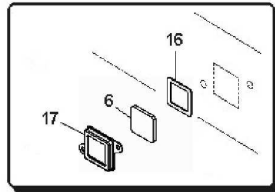
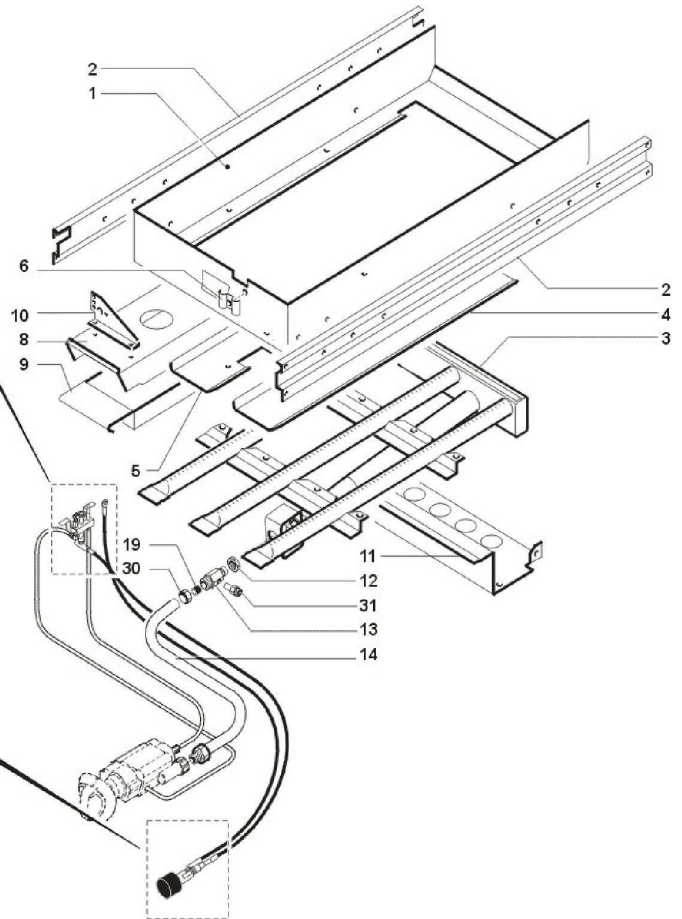
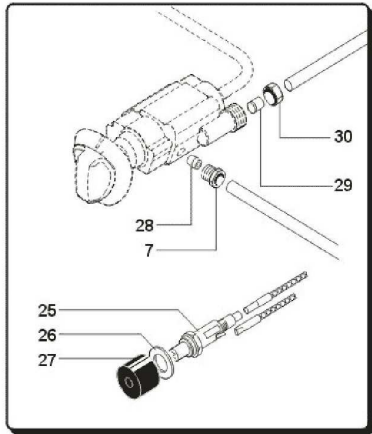
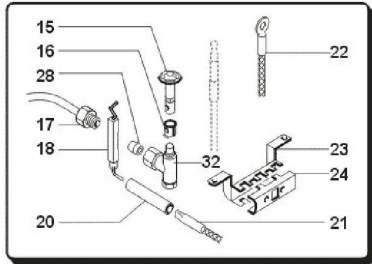




OG0FT2G

Edition 20060201-20080229





Page	Pos	Code	Description	Info
002	001	35H2490	RH PANEL	01/06/2002-
002	002	35H2890	LH PANEL	01/06/2002-
002	003	35E3380	REAR PANEL 350	01/06/2002-
002	004	30M8330	RIBBED PLATE ASS. Y	01/06/2002-
002	005	30Q1750	EXT FLUE ASS. Y	01/06/2002-
002	006	3070970	SPY-HOLE	01/02/2006-
002	007	30A4860	CONTROL PANEL	01/06/2002-
002	008	36C4780	FLUE GUARD	01/06/2002-
002	009	33A0680	THERMOCOUPLE M8X1X600	01/06/2002-
002	010	30Z2970	GAS MANIFOLD ASS. Y	01/06/2002-
002	011	6300503	GAS CONTROL ASS.Y 340°	01/06/2002-
002	012	3152250	GAS VALVE GUARD Ø 50	01/06/2002-
002	013	33A1790	THERMOSTATIC VALVE 140°-340°	01/06/2002-
002	014	35Y3880	SUPPORT	01/06/2002-
002	015	137AA04	GASKET	01/06/2002-
002	016	3031901	GASKET	01/02/2006-
002	017	3070980	SUPPORT GLASS	01/02/2006-
002	200	M011640	350 FRAME COMP. ASS.Y	01/06/2002-
003	001	35E2930	COMBUSTION CHAMBER	01/06/2002-
003	002	35U4920	LOWER CROSS SECTION	01/06/2002-
003	003	34A0110	BURNER	01/06/2002-
003	004	35D1320	BAFFLE	01/06/2002-
003	005	35D1330	DEFLECTOR	01/06/2002-
003	006	35T3540	BULB HOLDER	01/06/2002-
003	007	36Q1000	CLOSING BICONE NUT	01/06/2002-
003	008	35N1990	Ø4 TRAY SUPPORT	01/06/2002-
003	009	35N2250	DRIP TRAY	01/06/2002-
003	010	35U5791	THERMOSTAT SUPP.	01/06/2002-
003	011	35U5500	REAR CROSS SECTION	01/06/2002-
003	012	36Q1110	LOCK NUT 3/8"	01/06/2002-
003	013	33Q2531	NOZZLE HOUSING	01/06/2002-
003	014	3014320	FLEXIBLE PIPE DN10 L=400	08/02/2005-
003	015	33A1080	THREE-FLAME BURNER	01/06/2002-23/04/2008
003	016	33A0970	RING NUT	01/06/2002-
003	017	35Z4240	RH PILOT FLAME GAS PIPE	01/06/2002-
003	018	32T0142	IGNITION PLUG	15/11/2005-26/01/2010
003	019	36Q0080	BICONE Ø 10X6.5	01/06/2002-
003	020	131AA46	HOSE 8'X40	01/06/2002-
003	021	32A0430	CABLE "HF" 600MM	01/06/2002-06/10/2009
003	022	32A0441	EARTH CABLE 600 MM	01/06/2002-
003	023	35V2570	PILOT BURNER SUPPORT	01/06/2002-
003	024	33A0950	REAR BRACKET	01/06/2002-
003	025	3005580	PIEZO IGNITION	29/07/2003-12/07/2010
003	026	3191100	WASHER Ø31 Ø18,3=2	01/06/2002-
003	027	37Q2100	HEAT. ELEM. PROTECTION	01/06/2002-
003	028	36Q1040	BICONE Ø4	01/06/2002-
003	029	36Q1700	BICONE Ø10 Ø12X14	01/06/2002-
003	030	36Q0610	BICONE SCREW Ø10	01/06/2002-
003	031	33A0640	PRESSURE TEST POINT	01/06/2002-
003	032	33A0690	PILOT BURNER BODY Ø0,40	01/06/2002-
003	032	33A0960	PILOT BURNER BODY Ø0,25	01/06/2002-