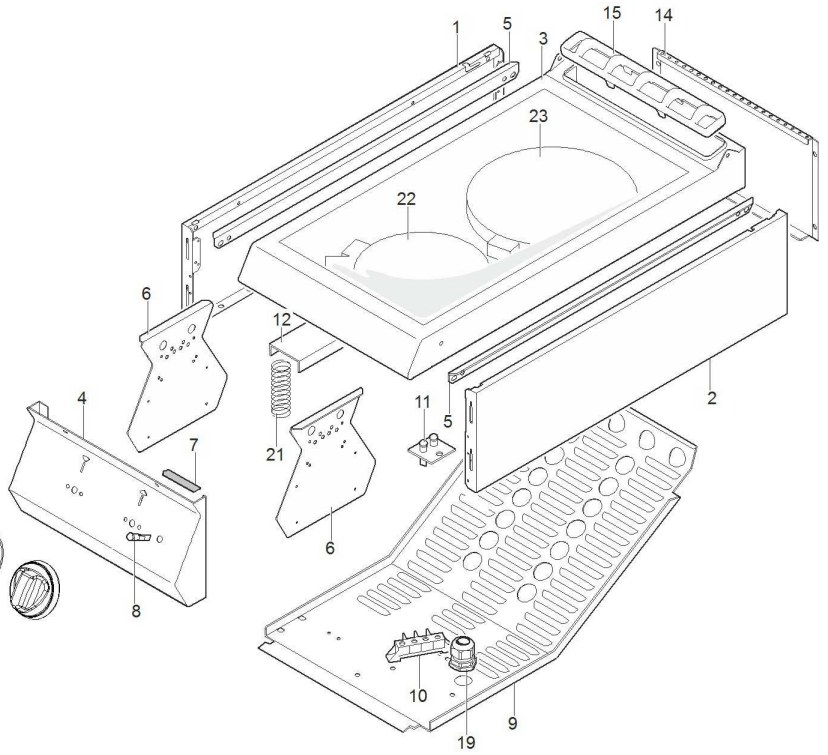
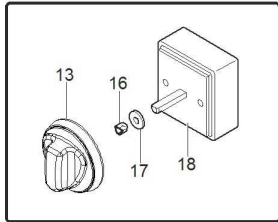
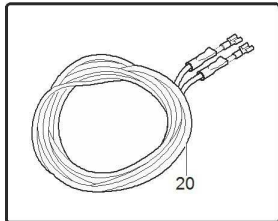




OGOP EVTR

Edition 20140505-



Pos	Code	Description	Info
001	35H2890	LH PANEL	01/06/2002-
002	35H2490	RH PANEL	01/06/2002-
003	3007670	HOB ASS. Y	01/06/2002-
004	30A5200	UPPER CONTROL BOARD	01/06/2002-
005	35Y4510	L BRACKET	01/06/2002-
006	35E5791	PARA-SPRINKLES BOARD	10/03/2006-
007	137AA04	GASKET	01/06/2002-
008	3106710	GREEN LIGHT 230V	23/05/2007-
009	3007830	BOTTO MPLATE	01/06/2002-
010	32D0251	TERMINAL BOARD	01/06/2002-
011	3080650	PILOT LIGHT	24/05/2006-
012	3007400	SECTION	01/06/2002-
013	3015791	HANDLE	05/05/2014-
014	35E3380	REAR PANEL 350	01/06/2002-
015	36C4780	FLUE GUARD	01/06/2002-
016	3170290	KNOB SPRING	01/06/2002-
017	3152240	THERMOSTAT PROTECT.	01/06/2002-
018	3008300	VOLTAGE REGULATOR	01/06/2002-
019	32D1780	FAIRLEAD	01/06/2002-
020	3080660	EL. CABLES	24/05/2006-
021	3084790	TORSION SPRING	17/10/2006-
022	3080080	ELECTRIC PLATE 1700W 230V Ø200	24/05/2006-
023	3080070	ELECTRIC PLATE	24/05/2006-