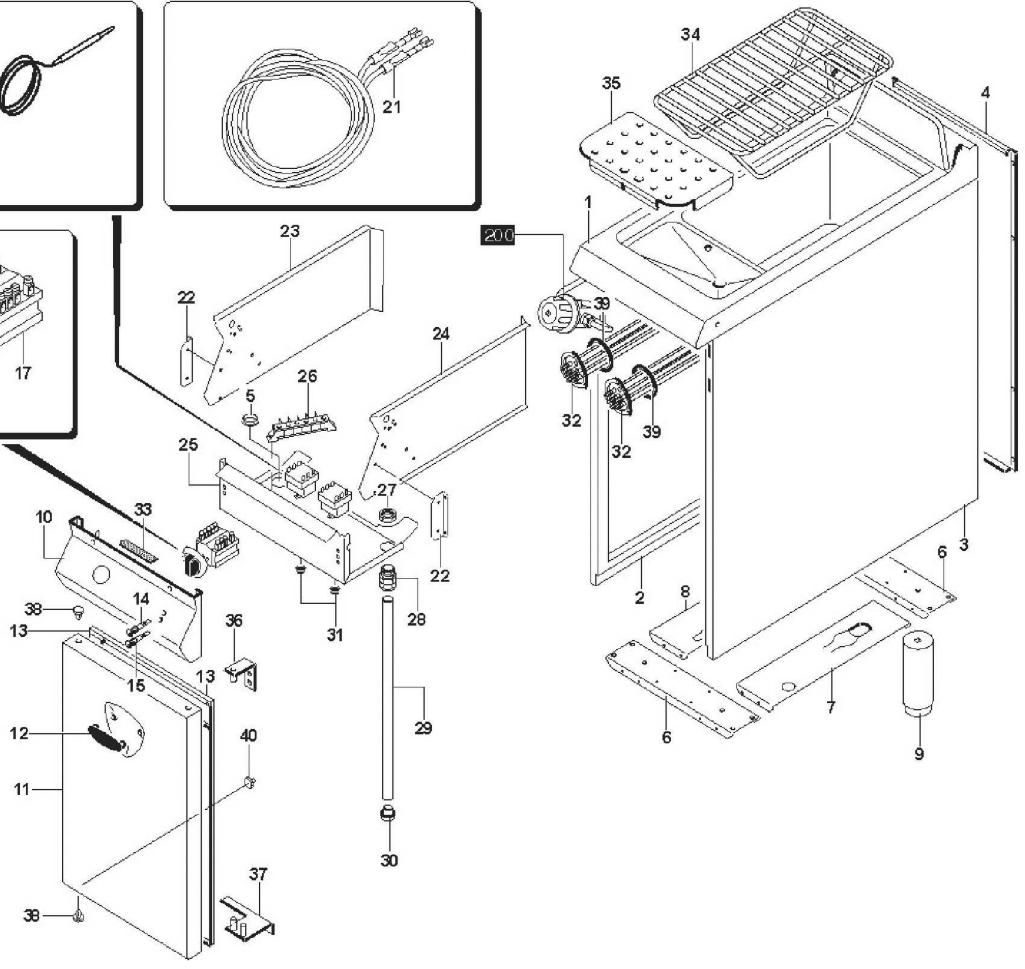
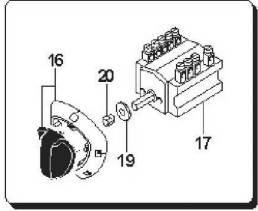
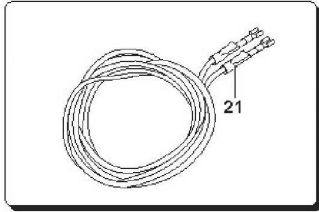
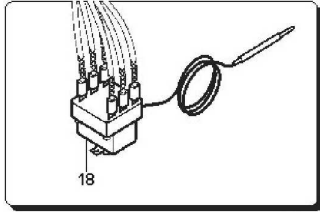
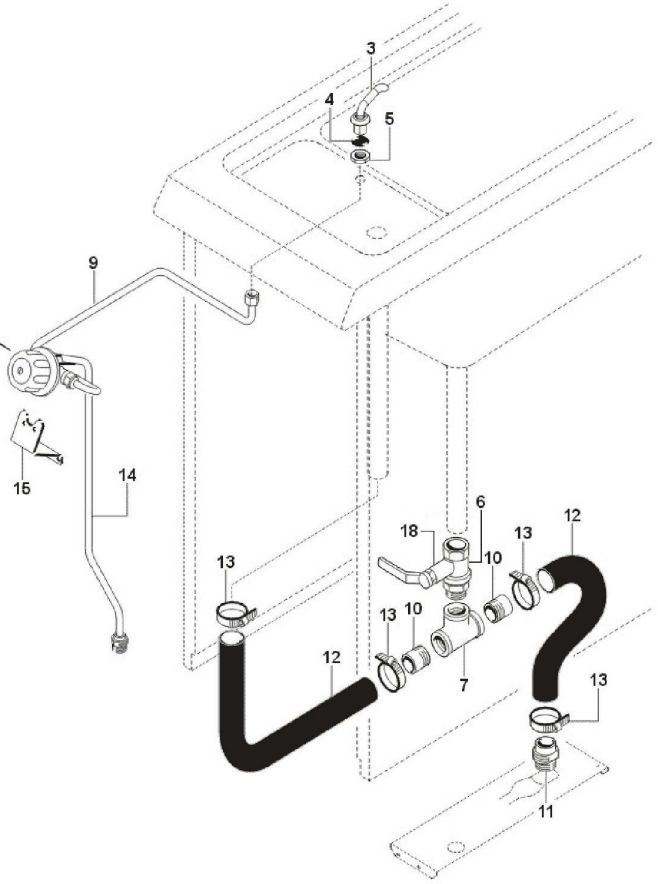
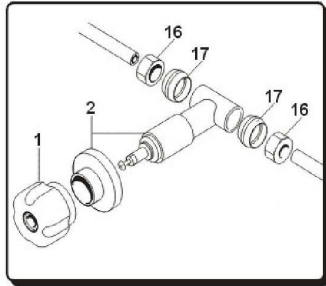




**0G1CP1E**

**Edition 20140506-**





Page	Pos	Code	Description	Info
002	001	30M8664	ELT. TOP C/WELL ASS. Y	21/06/2010-
002	002	35H3091	LH PANEL	07/10/2003-
002	003	35H3101	RH PANEL	07/10/2003-
002	004	35E3100	REAR PANEL 350	01/06/2002-
002	005	32X0120	GROMMETØ 21	01/06/2002-
002	006	35U8032	SECTION 342X75X18	07/10/2005-
002	007	35Y3581	SECTION	01/09/2009-
002	008	35Y3591	SECTION	11/06/2004-
002	009	36C5360	4 FEETS ASS.Y	01/06/2002-
002	010	30A5170	UPPER CONTROL BOARD	01/06/2002-
002	011	35G9251	DOOR GAMMA	06/05/2014-
002	012	36M3400	HANDLE	01/06/2002-
002	013	35G9240	COUNTER DOOR	01/06/2002-
002	014	6300652	GREEN LIGHT 400V	23/05/2007-
002	015	6300653	RED LAMP 400V ASS.Y	23/05/2007-
002	016	6300485	EL. CONTROL ASS.Y	01/06/2002-
002	017	32W3260	SWITCH	01/06/2002-
002	018	3014261	SAFETY THERMOSTAT	04/05/2009-
002	019	3152240	THERMOSTAT PROTECT.	01/06/2002-
002	020	3170290	KNOB SPRING	01/06/2002-
002	021	32Q5860	EL. CABLES	01/06/2002-
002	022	35P4600	"SUPPORT ""L"""	01/06/2002-
002	023	35E6161	PARA-SPRINKLES BOARD LH	11/06/2004-
002	024	35E5011	PARA-SPRINKLES BOARD RH	11/06/2004-
002	025	35E4030	PANEL HORIZONTAL	01/06/2002-
002	026	32D1800	TERMINAL BOARD	01/06/2002-
002	027	36Q1100	LOCK NUT 3/4"	01/06/2002-
002	028	32D1250	PIPE JOINT 3/4"	01/06/2002-
002	029	35X3870	CABLE INLET PIPE	01/06/2002-
002	030	32D1260	BUSHING	01/06/2002-
002	031	37Q3270	SWITCH COVER	01/06/2002-
002	032	32G3270	HEATING EL.	01/06/2002-
002	033	137AA04	GASKET	01/06/2002-
002	034	36A5260	BOTTOM NET	01/06/2002-
002	035	35N4970	OVERFLOW TOP	01/06/2002-
002	036	36M7241	UPPER HINGE ASS.Y	01/06/2002-
002	037	36M7290	RH LOWER HINGE ASS. Y	01/06/2002-
002	038	36Q2000	CAP Ø 6,5	01/06/2002-
002	039	3150430	"O" RING Ø 56.52	01/06/2002-
002	040	3600090	MAGNET PLATE	01/06/2002-
002	200	M010030	M.WATER-DRAIN	01/06/2002-
003	001	3162200	RED RING KNOB	28/01/2009-
003	002	3162191	COCK 3/8"	18/12/2009-
003	003	3003441	WATER SPOUT	02/04/2013-
003	004	37Q1210	"O" RING Ø 18.77"	01/06/2002-
003	005	36Q1110	LOCK NUT 3/8"	01/06/2002-
003	006	33D1980	COCK MF 1"	01/06/2002-
003	007	33Q2030	""T"" JOINT"	01/06/2002-
003	009	35X5920	WATER PIPE	01/06/2002-
003	010	35X3830	DRAIN PIPE	01/06/2002-
003	011	33Q3510	NIPPLE M 1"G	01/06/2002-

Page	Pos	Code	Description	Info
003	012	33M0800	PIPE	01/06/2002-
003	013	3140300	HOSE CLAMP	01/06/2002-
003	014	30Z3300	WATER BURNER PIPE ASS. Y	01/06/2002-
003	015	35Y2760	COCK SUPPORT	01/06/2002-
003	016	36Q0140	BICONE NUT Ø 10	24/03/2003-
003	017	36Q0080	BICONE Ø 10X6.5	24/03/2003-
003	018	3029350	EXTENSION	01/06/2002-