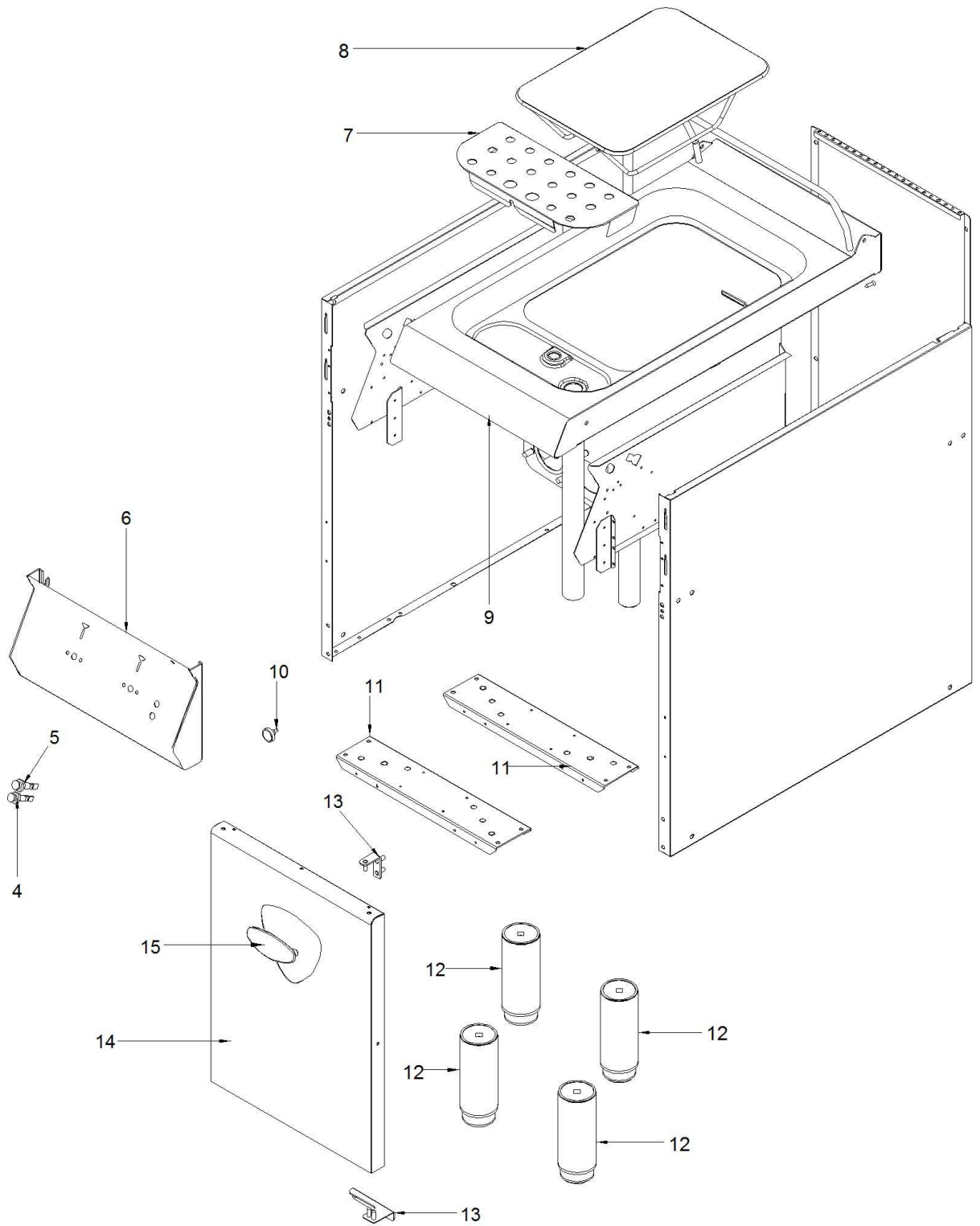
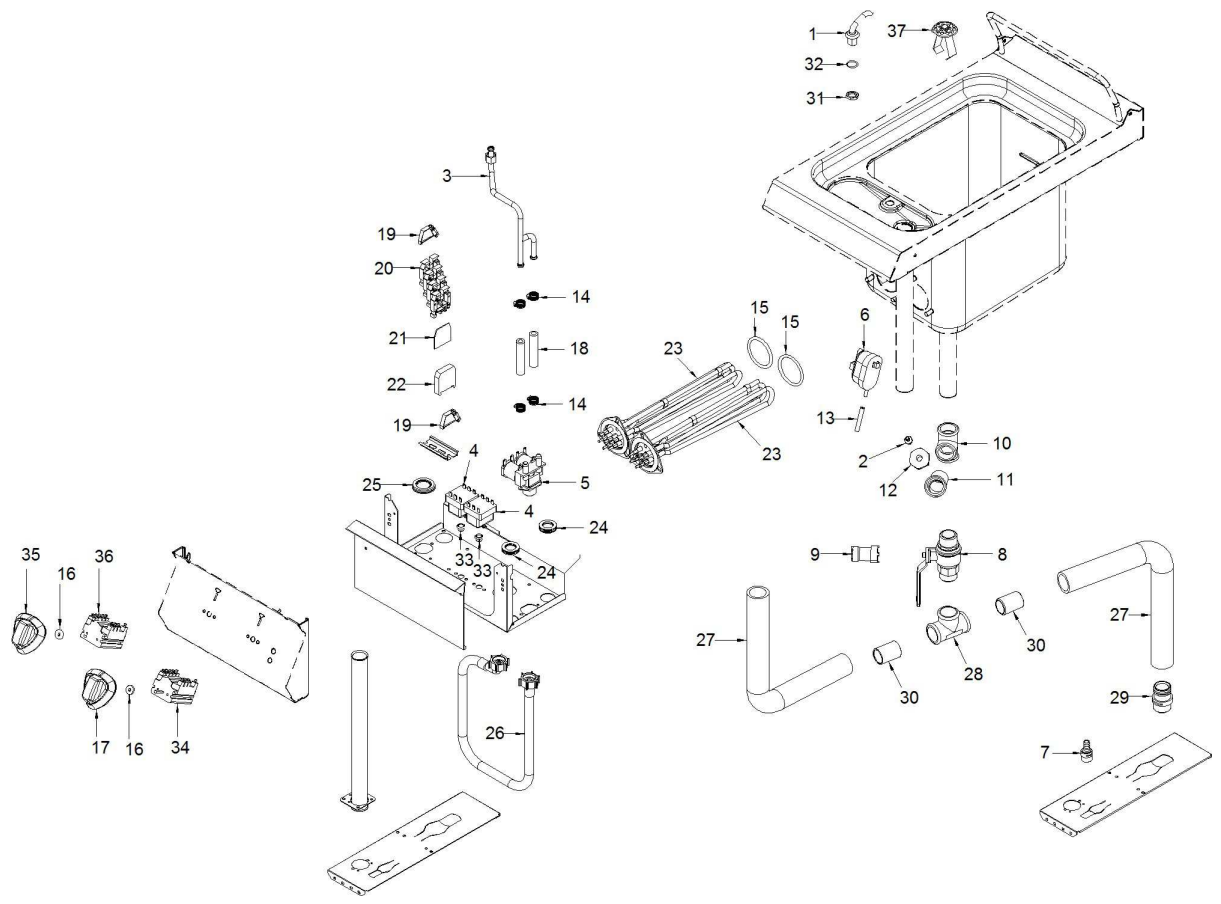




**OG1CP1E-
VERS.2004**

Edition 20140716-





| Page | Pos | Code | Description | Info |
|------|-----|---------|-------------------------|-------------|
| 002 | 004 | 3106710 | GREEN LIGHT 230V | 01/01/2004- |
| 002 | 005 | 3106720 | RED LIGHT 230V | 01/01/2004- |
| 002 | 006 | 30A6100 | UPPER CONTROL BOARD | 01/01/2004- |
| 002 | 007 | 35N4971 | OVERFLOW TOP | 16/07/2014- |
| 002 | 008 | 36A5260 | BOTTOM NET | 01/01/2004- |
| 002 | 009 | 3258020 | ELT. TOP C/WELL ASS. Y | 12/12/2013- |
| 002 | 010 | 3600090 | MAGNET PLATE | 01/01/2004- |
| 002 | 011 | 35U8032 | SECTION 342X75X18 | 01/01/2004- |
| 002 | 012 | 36C5360 | 4 FOOTS ASS.Y | 01/01/2004- |
| 002 | 013 | 6013260 | HINGE ASSEMBLY | 01/01/2004- |
| 002 | 014 | 6026321 | DOOR ASS.Y | 24/05/2011- |
| 002 | 015 | 3243230 | DOOR HANDLE | 10/12/2013- |
| 003 | 001 | 3003441 | WATER SPOUT | 02/04/2013- |
| 003 | 002 | 3007980 | "UNION Ø=7-1/4""G" | 01/01/2004- |
| 003 | 003 | 3014230 | PIPE | 01/01/2004- |
| 003 | 004 | 3014261 | SAFETY THERMOSTAT | 04/05/2009- |
| 003 | 005 | 3014721 | ELECTROMAGNETIC VALVE | 01/04/2010- |
| 003 | 006 | 3017600 | PRESSURE-SWITCH | 01/01/2004- |
| 003 | 007 | 3017920 | "NIPPLE M 1/2"" | 01/01/2004- |
| 003 | 008 | 3018420 | VALVE 1" G | 01/01/2004- |
| 003 | 009 | 3029350 | EXTENSION | 01/01/2004- |
| 003 | 010 | 3067420 | T JOINT | 01/01/2004- |
| 003 | 011 | 3067430 | "ELBOW 45° 1"" MF" | 01/01/2004- |
| 003 | 012 | 3067440 | "REDUCING 1"" 1/4"" MF" | 01/01/2004- |
| 003 | 013 | 3070410 | PIPE | 01/01/2004- |
| 003 | 014 | 3140230 | 12/20 PIPE CLAMP | 01/01/2004- |
| 003 | 015 | 3150430 | "O" RING Ø 56.52 | 01/01/2004- |
| 003 | 016 | 3152240 | THERMOSTAT PROTECT. | 01/01/2004- |
| 003 | 017 | 3015941 | ELECTRIC CONTROL KNOB | 01/03/2008- |
| 003 | 018 | 131AA12 | RUBBER HOSEØ17Ø10 X H²O | 01/01/2004- |
| 003 | 019 | 32D0870 | TERMINAL CLAMP | 01/01/2004- |
| 003 | 020 | 32D0950 | LIVE TERMINAL | 01/01/2004- |
| 003 | 021 | 32D0960 | TERMINAL END COVER | 01/01/2004- |
| 003 | 022 | 32D0970 | GROUND TERMINAL | 01/01/2004- |
| 003 | 023 | 32G3270 | HEATING EL. | 01/01/2004- |
| 003 | 024 | 32X0120 | GROMMETØ 21 | 01/01/2004- |
| 003 | 025 | 32X0130 | GROMMET Ø29-Ø37 | 01/01/2004- |
| 003 | 026 | 33M0350 | PIPE | 01/01/2004- |
| 003 | 027 | 33M0800 | PIPE | 01/01/2004- |
| 003 | 028 | 33Q2030 | ""T"" JOINT" | 01/01/2004- |
| 003 | 029 | 33Q3510 | NIPPLE M 1"G | 01/01/2004- |
| 003 | 030 | 35X3830 | DRAIN PIPE | 01/01/2004- |
| 003 | 031 | 36Q1110 | LOCK NUT 3/8" | 01/01/2004- |
| 003 | 032 | 37Q1210 | "O" RING Ø 18.77" | 01/01/2004- |
| 003 | 033 | 37Q3270 | SWITCH COVER | 01/01/2004- |
| 003 | 034 | 32W3260 | SWITCH | 01/01/2004- |
| 003 | 035 | 3112000 | KNOB WATER LOAD | 15/07/2009- |
| 003 | 036 | 3162280 | SELECTOR SWITCH | 15/07/2009- |
| 003 | 037 | 3266990 | FILTER | 24/03/2014- |