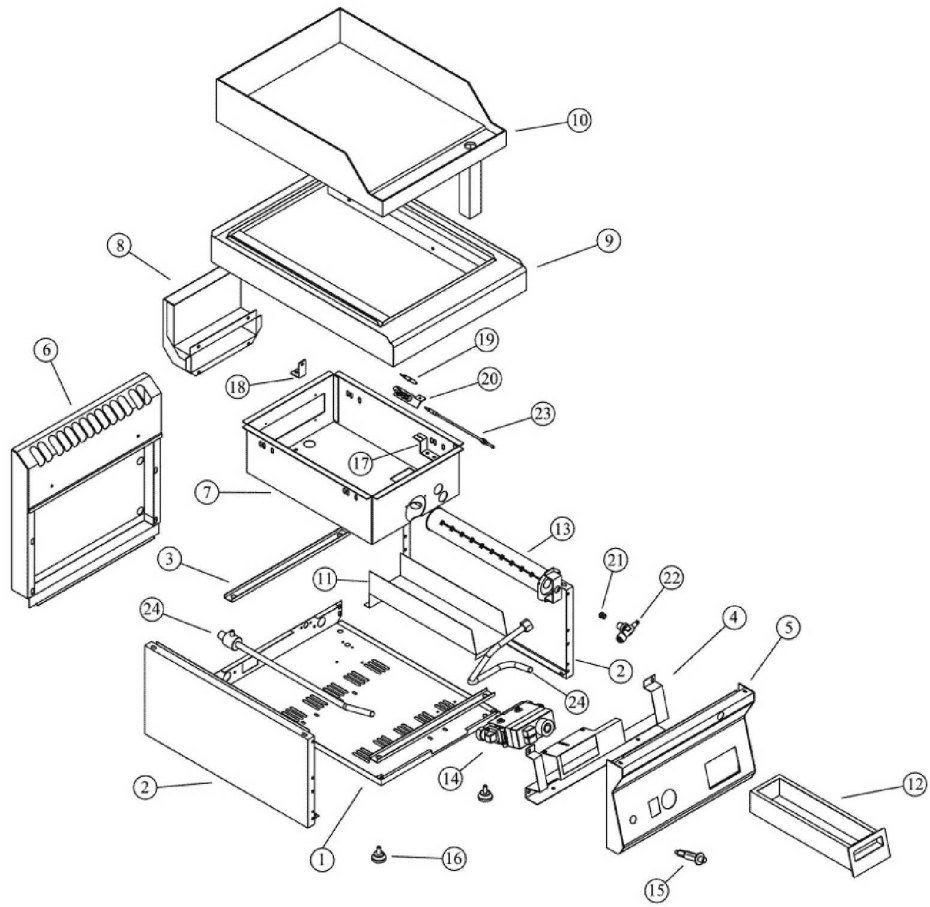




0M0FT1G

Edition 20100713-



Pos	Code	Description	Info
001	0M0FT1G-Pos.001	BOTTOM	01/12/2000-
002	0M0FT1G-Pos.002	LATERAL SIDES	01/12/2000-
003	0M0FT1G-Pos.003	BOTTOM REINFORCEMENT	01/12/2000-
004	0M0FT1G-Pos.004	FRONT PANEL HOLDER	01/12/2000-
005	0M0FT1G-Pos.005	FRONTAL PANEL	01/12/2000-
006	35H1730	REAR EXTERNAL CHIMNEY	01/12/2000-
007	0M0FT1G-Pos.007	COMBUSTION CHAMBER	01/12/2000-
008	0M0FT1G-Pos.008	INTERNAL CHIMNEY	01/12/2000-
009	0M0FT1G-Pos.009	TOP	01/12/2000-
010	0M0FT1G-Pos.010	SMOOTH PLATE	01/12/2000-
011	0M0FT1G-Pos.011	OIL COLLECTING DRAWER'S SLIDE	01/12/2000-
012	0M0FT1G-Pos.012	OIL COLLECTING DRAWER	01/12/2000-
013	34A2210	BURNER	01/12/2000-
014	33A1910	VALVE	01/12/2000-
015	3166990	PIEZO IGNITION	13/07/2010-
016	36C4380	FOOT - DIAM.30 / 8MA	01/12/2000-
017	0M0FT1G-Pos.017	PILOT HOLDER	01/12/2000-
018	0M0FT1G-Pos.018	BURNER HOLDER	01/12/2000-
019	32T0300	SPARK PLUG	01/12/2000-
020	33A1900	PILOT	01/12/2000-
021	0M0FT1G-Pos.021	NOZZLE	01/12/2000-
022	33T4220	NOZZLE HOLDER	01/12/2000-
023	33A1970	THERMOCOUPLE	01/12/2000-
024	0M0FT1G-Pos.024	SET OF PIPES	01/12/2000-