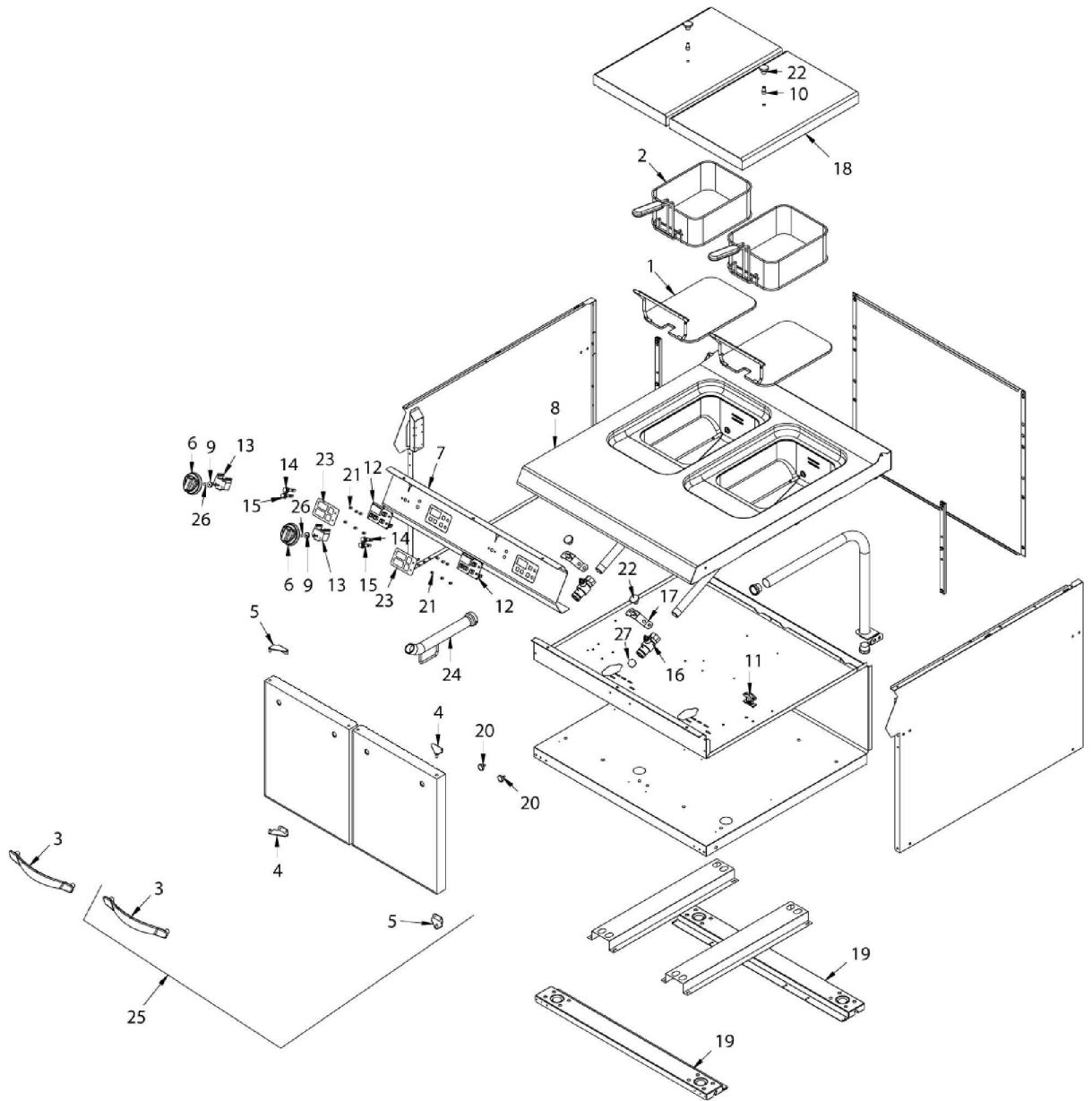
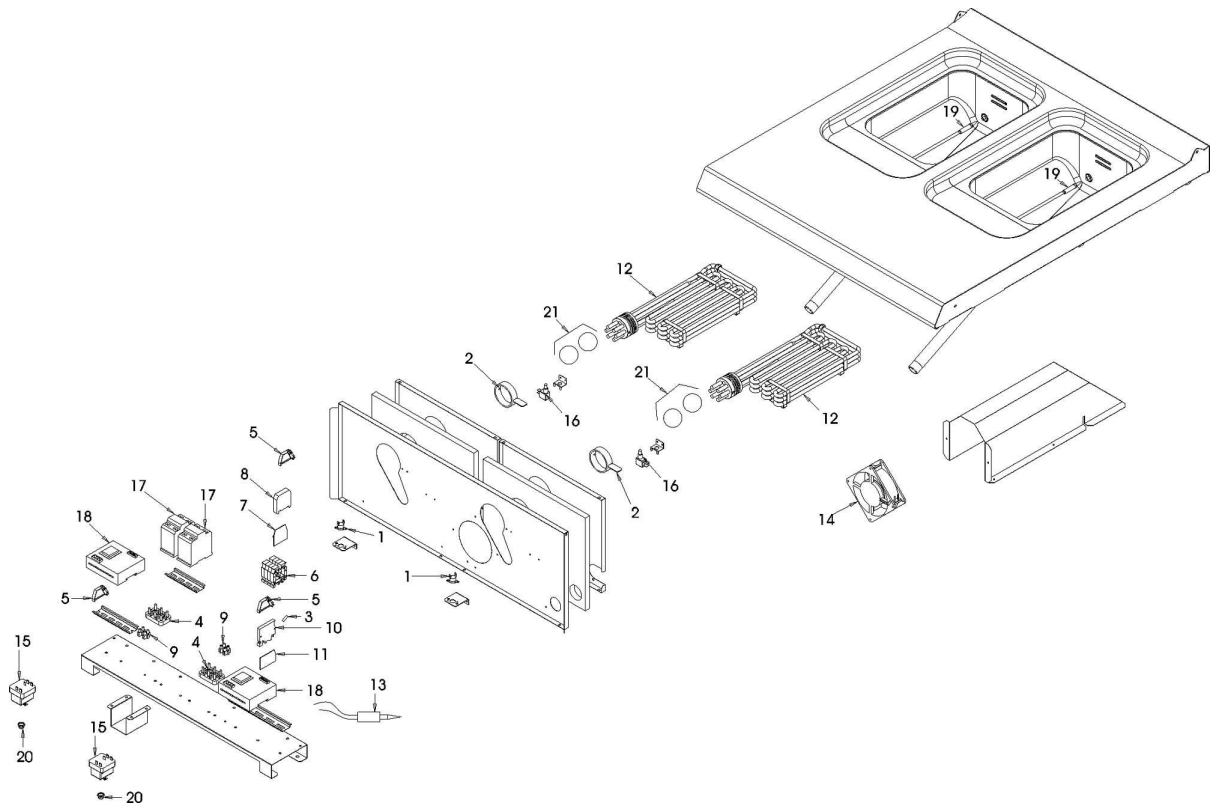




191FR4ED

Edition 20131004-





| Page | Pos | Code | Description | Info |
|------|-----|---------|-----------------------------|-------------|
| 002 | 001 | 3006800 | BOTTOM PLATE 358x234x126 | 01/03/2006- |
| 002 | 002 | 3007210 | BASKET 283x225x115 | 01/03/2006- |
| 002 | 003 | 3010573 | HANDLE | 04/10/2013- |
| 002 | 004 | 6029110 | HINGE ASSEMBLY | 19/05/2010- |
| 002 | 005 | 6029110 | HINGE ASSEMBLY | 19/05/2010- |
| 002 | 006 | 3015851 | ELECTRIC CONTROL KNOB | 12/03/2008- |
| 002 | 007 | 3032021 | UPPER CONTROL BOARD | 01/03/2006- |
| 002 | 008 | 3073230 | TOP C/WELL ASS. Y | 01/03/2006- |
| 002 | 009 | 3152240 | THERMOSTAT PROTECT. | 01/03/2006- |
| 002 | 010 | 31V0060 | STAINLESS STEEL SCREW M8X16 | 01/03/2006- |
| 002 | 011 | 32D1820 | CABLE CLAMP | 01/03/2006- |
| 002 | 012 | 32V0780 | BOARD | 01/03/2006- |
| 002 | 013 | 32W0490 | SWITCH | 01/03/2006- |
| 002 | 014 | 3106730 | ORANGE LIGHT 230V | 23/05/2007- |
| 002 | 015 | 3106710 | GREEN LIGHT 230V | 23/05/2007- |
| 002 | 016 | 33D1770 | BALL VALVE | 01/03/2006- |
| 002 | 017 | 35G7250 | RH COCK HANDLE | 01/03/2006- |
| 002 | 018 | 35L0050 | LID | 01/03/2006- |
| 002 | 019 | 35Y0152 | PROFILE OMEGA | 01/03/2006- |
| 002 | 020 | 3600090 | MAGNET PLATE | 01/03/2006- |
| 002 | 021 | 36C0970 | SPACER | 01/03/2006- |
| 002 | 022 | 36M5430 | HANDLE | 01/03/2006- |
| 002 | 023 | 37M8560 | CONTROL PANEL | 01/03/2006- |
| 002 | 024 | 3AZ0090 | DRAIN PIPE ASS. Y | 01/03/2006- |
| 002 | 025 | 6029880 | DOOR ASS.Y | 20/06/2012- |
| 002 | 026 | 3170290 | KNOB SPRING | 01/03/2006- |
| 002 | 027 | 3150690 | "O" RING | 01/03/2006- |
| 003 | 001 | 3008880 | ELECTRIC THERMOSTAT | 01/03/2006- |
| 003 | 002 | 30T7021 | LEVER | 22/10/2010- |
| 003 | 003 | 3201540 | FUSE 5X20 | 01/03/2006- |
| 003 | 004 | 32D0030 | TERMINAL BOARD | 01/03/2006- |
| 003 | 005 | 32D0870 | TERMINAL CLAMP | 01/03/2006- |
| 003 | 006 | 32D0950 | LIVE TERMINAL | 01/03/2006- |
| 003 | 007 | 32D0960 | TERMINAL END COVER | 01/03/2006- |
| 003 | 008 | 32D0970 | GROUND TERMINAL | 01/03/2006- |
| 003 | 009 | 32D1450 | TERMINAL | 01/03/2006- |
| 003 | 010 | 32D1730 | FUSE TERMINAL BOARD | 01/03/2006- |
| 003 | 011 | 32D1740 | TERMINAL | 01/03/2006- |
| 003 | 012 | 32G2610 | HEATING ELEMENT 7.2KW | 01/03/2006- |
| 003 | 013 | 32V0030 | THERMISTOR PROBE | 01/03/2006- |
| 003 | 014 | 32V5790 | FAN 20W 120mm | 21/02/2013- |
| 003 | 015 | 32V6561 | SAFETY THERMOSTAT | 28/10/2008- |
| 003 | 016 | 32W3340 | MICROSWITCH | 01/03/2006- |
| 003 | 017 | 3100910 | RELAY 220/230V- 50/60Hz | 13/04/2007- |
| 003 | 018 | 32Z9090 | ELECTONIC CONTROL | 01/03/2006- |
| 003 | 019 | 3182220 | PIN | 30/06/2010- |
| 003 | 020 | 37Q3270 | SWITCH COVER | 01/03/2006- |
| 003 | 021 | 60A0980 | "O" RING Ø 47,22 ASS.Y" | 01/03/2006- |