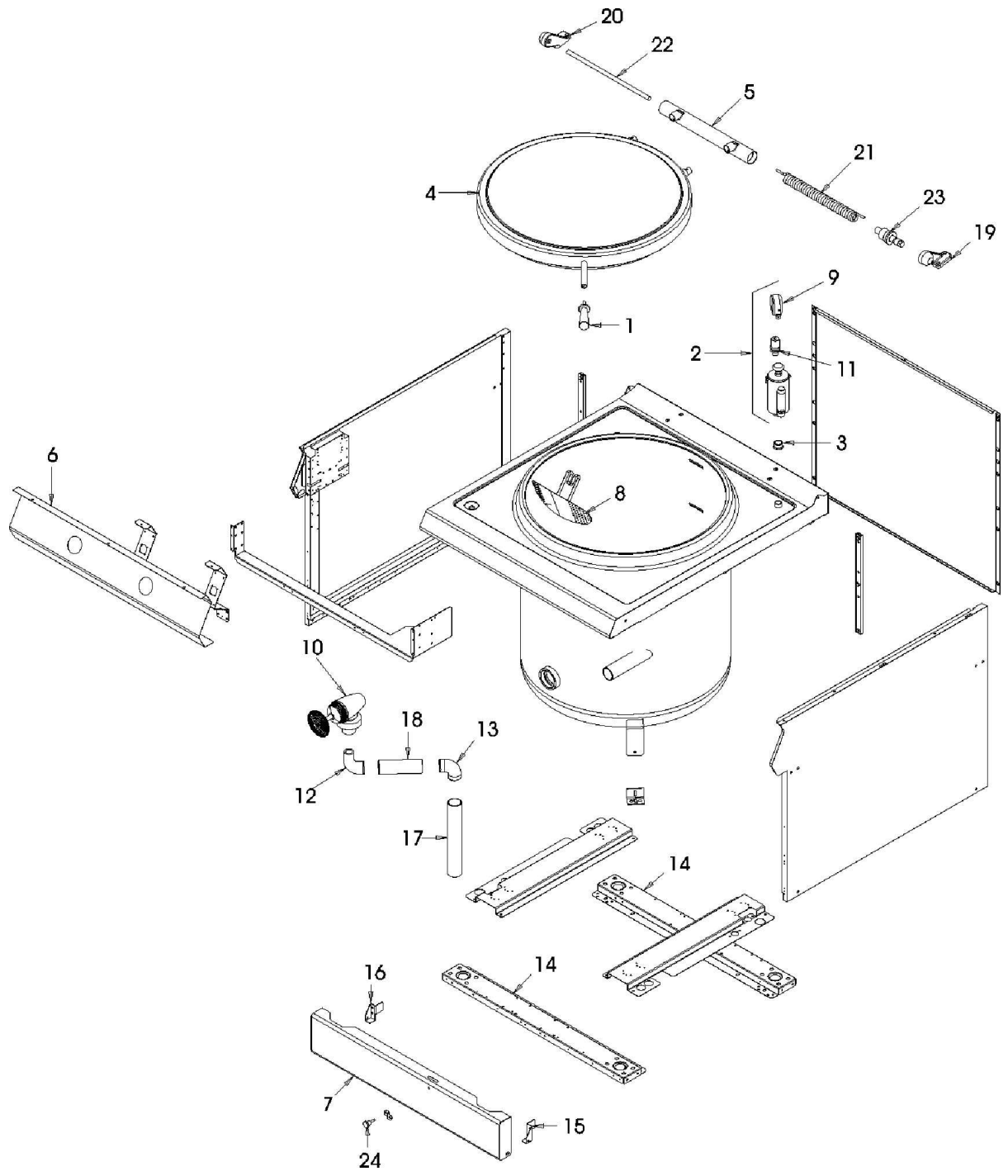
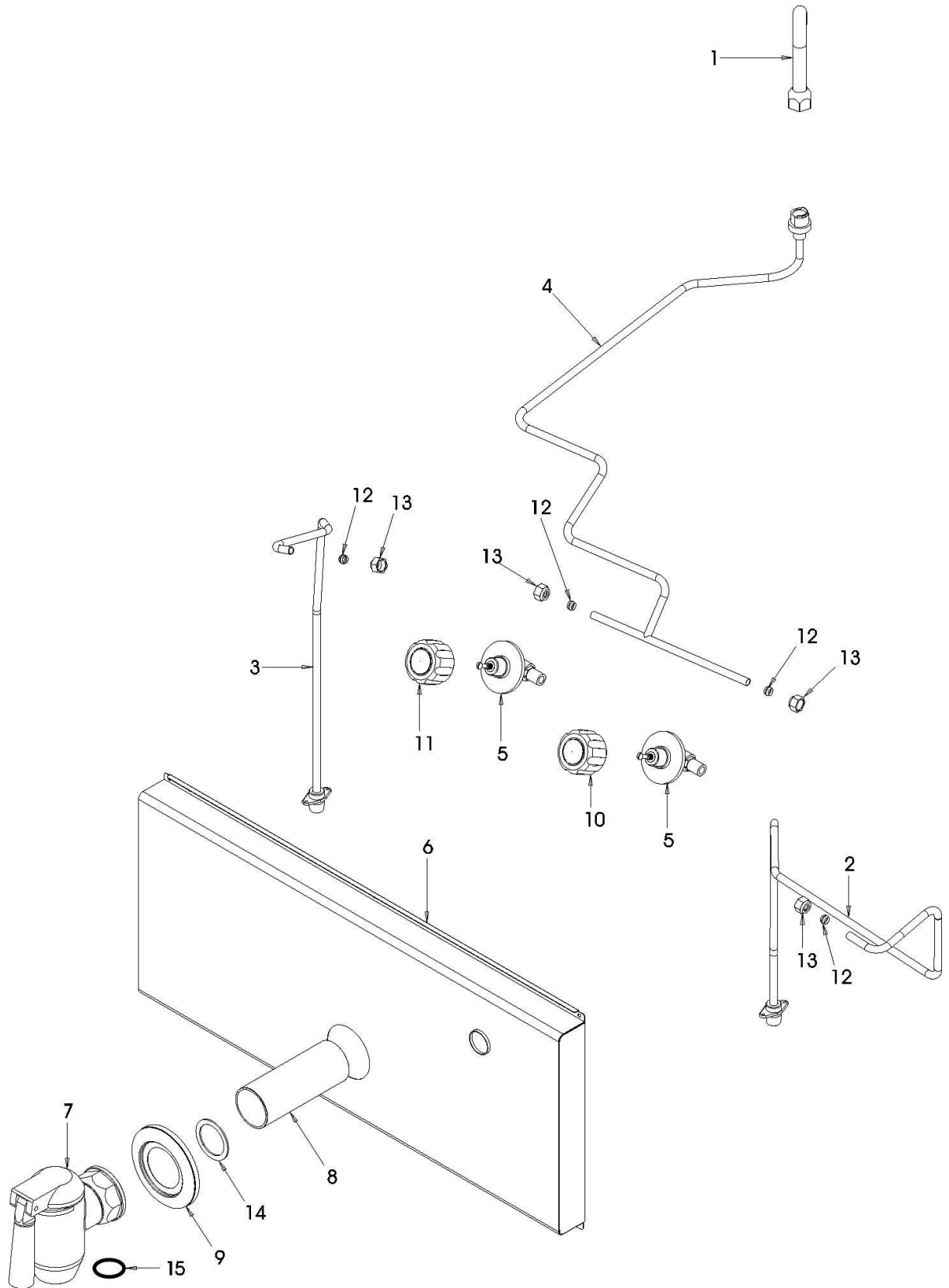




191PI2V

Edition 20091218-





Page	Pos	Code	Description	Info
002	001	3000900	BALL HANDLE	01/06/2006-
002	002	3006310	"PRESS. RELEASE VALVE 3/4"" 0,5B"	01/06/2006-
002	003	3006360	REDUCING MF 3/4"G- 1/2"G	01/06/2006-
002	004	3056660	COVER	01/06/2006-
002	005	3062340	COVER HINGE	01/06/2006-
002	006	3069730	CONTROL BOARD	01/06/2006-
002	007	3075090	LOWER FRONT PANEL	01/06/2006-
002	008	30Q0450	FILTER	01/06/2006-
002	009	32Z0060	PRESSURE GAUGE 0-1	01/06/2006-
002	010	33G0031	BAR STEAM COCK 1"1/4	01/06/2006-
002	011	33G0650	VACUUM VALVE	01/06/2006-
002	012	33Q1750	ELBOW MF 1/4"	01/06/2006-
002	013	33Q1770	ELBOW 1/4\"	01/06/2006-
002	014	35R0222	PROFILE OMEGA	01/06/2006-
002	015	35R3610	RIGHT-HAND HINGE	01/06/2006-
002	016	35R7260	LEFT HAND HINGE	01/06/2006-
002	017	35Z1770	STEAM MANIFOLD	01/06/2006-
002	018	35Z1780	STEAM MANIFOLD 1/4"	01/06/2006-
002	019	36C2590	RH HINGE SUPPORT	01/06/2006-
002	020	36C2600	LH HINGE SUPPORT	01/06/2006-
002	021	36G2640	SPRING	01/06/2006-
002	022	36G2650	HINGE SHAFT	01/06/2006-
002	023	36G2680	SPRING PIN	01/06/2006-
002	024	36M5690	HANDLE	01/06/2006-
003	001	3003430	WATER SPOUT	01/03/2006-
003	002	3003560	WATER PIPE	01/03/2006-
003	003	3003570	WATER PIPE	01/03/2006-
003	004	3003891	WATER PIPE	28/01/2009-
003	005	3162191	COCK 3/8"	18/12/2009-
003	006	3069720	LOWER FRONT PANEL	01/03/2006-
003	007	33D2291	"DRAIN COCK 2"""	01/10/2008-
003	008	35Z0600	DRAIN PIPE	01/03/2006-
003	009	36E1150	COVER RING	01/03/2006-
003	010	3162210	BLUE RING KNOB	28/01/2009-
003	011	3162200	RED RING KNOB	28/01/2009-
003	012	36Q0080	BICONE Ø 10X6.5	01/03/2006-
003	013	36Q0140	BICONE NUT Ø 10	01/03/2006-
003	014	37Q4070	GASKET	01/03/2006-
003	015	3152331	"OR" GASKET FOR DRAIN COCK 2"""	01/03/2006-